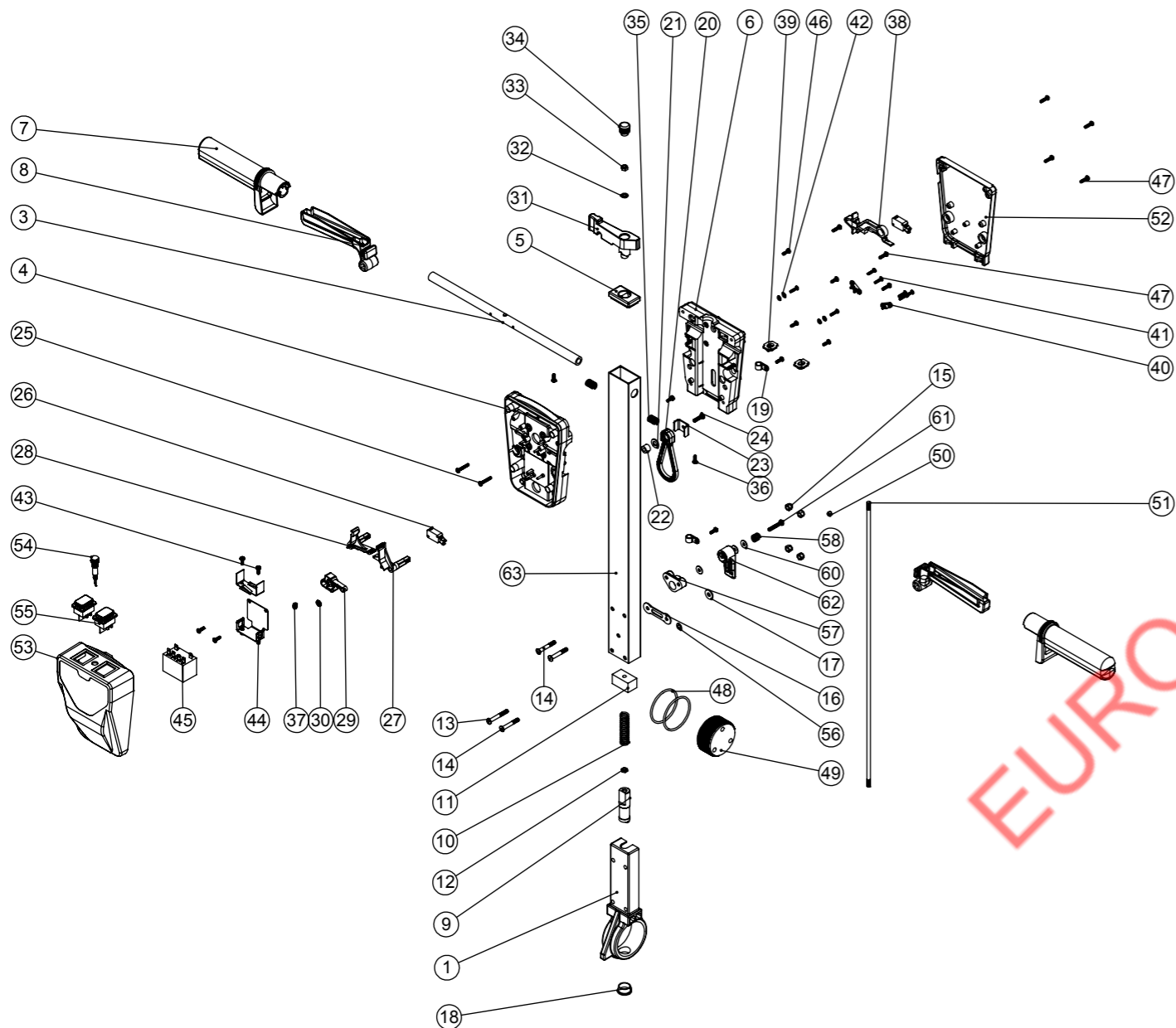


Numatic International Spare Parts

Model No: TT 1840 (MAINS) HANDLE EXPLODED DRAWING ASSEMBLY

234938
DRAWING: DRW-13355 ISS:A01
03/04/2013

NB: FOR WIRING SEE DRAWING: DRW-13476



Numatic International Spare Parts

Model No: TT 1840 (MAINS) HANDLE EXPLODED DRAWING ASSEMBLY

ITEM NO.	PART NO.	DESCRIPTION	QTY.
1	229081	HANDLE CASTING MACHINED	1
3	338269	CROSS TUBE	1
4	227576	FRONT INNER HALF MOULDING	1
5	227582	HANDLE PLUG MOULDING	1
6	227577	REAR INNER HALF MOULDING	1
7	227580	HAND GRIP MOULDING	2
8	227581	TRIGGER MOULDING	2
9	229073	GEAR LOCKING PIN	1
10	229138	SPRING	1
11	229030	ANTI VIBRATION PAD	1
12	219099	M6 HALF NUT	1
13	219881	M6 X 45MM SOCKET BUTTON HEAD SCREW	1
14	219807	M6 X 40MM LONG SOCKET BUTTON HEAD BOLT	3
15	219088	M6 NYLON INSERT NUT	4
16	229139	CABLE CLAMP	1
17	219008	M6 FORM G WASHER	1
18	229099	25MM DIA HOLE PLUG	1
19	219393	P CLIP	2
20	226008	STRESS RELIEF	1
21	219010	M8 FORM A WASHER	1
22	226006	SPACER (BLACK)	1
23	329231	STRESS RELIEF BRACKET	1
24	219054	M5 X 20MM LONG POZI PAN SCREW	1
25	219811	NO8 X 1 INCH LONG POZI-PAN SELF TAP SCREW	2
26	229483	SNAP ACTION SWITCH	2
27	227585	LEFT HAND SWITCH OPERATING LEVER MOULDING	1
28	227586	RIGHT HAND SWITCH OPERATING LEVER MOULDING	1
29	227587	CENTRE SWITCH OPERATING LEVER MOULDING	1
30	219805	4MM SPIREFIX	1
31	227583	ADJUSTMENT LEVER MOULDING	1
32	219493	M6 NYLON WASHER	1
33	219642	M6 STAINLESS STEEL NYLON INSERT NUT	1
34	20638V	19MM BLACK TUBE END STOP	1
35	219803	TRIGGER COMPRESSION SPRING	2
36	219270	No8 X 1/2 INCH LONG POZI PAN SELF TAP SCREW	4
37	219804	SWITCH COMPRESSION SPRING	1
38	227584	INTERLOCK LEVER MOULDING	1
39	237467	BLANKING PLUG WITH HOLE	2
40	229669	LOLINE HANDLE CABLE CLAMP	2
41	219107	No6 X 5/8 INCH LONG POZI PAN PLASTITE SCREW	6
42	219206	M4 FORM A WASHER	4
43	219471	M4 X 12MM LONG POZI PAN SEMS SCREW	3
44	303526	NUTSERTED RELAY MOUNTING BRACKET	1
45	206575	240V / 25A RELAY	1
46	219101	No8 X 1/2 INCH LONG POZI PAN PLASTITE SCREW	6
47	219105	No8 X 5/8 INCH LONG POZI PAN PLASTITE SCREW	8
48	219254	O RING 3MM DIA X 60MM I/D	2
49	229074	ADJUSTMENT GEAR	1
50	229009	BLANKING PLUG	1
51	215029	610MM HANDLE LOCKING ROD	1
52	227579	REAR COVER MOULDING	1
53	229748	FRONT COVER MOULDING (MAINS & BATTERY)	1
54	220812	230V NEON INDICATOR & RED LENS	1
55	208757	BLACK DPST ON/OFF SWITCH	2
56	219007	M6 FORM B WASHER	1
57	227806	CABLE RELEASE BASE MOULDING	1
58	206599	SPRING (REF:C5514370)	1
59	219076	M5 NYLON INSERT NUT	1
60	219644	M5 FORM G STAINLESS STEEL WASHER	3
61	219720	M5 X 30MM LONG STAINLESS STEEL POZI PAN SCREW	1
62	227807	CABLE RELEASE TOP MOULDING	1
63	429138	TT 1840 HANDLE TUBE (MAINS) PAINTED	1
64	206500	RELAY BRACKET	1

WARNING

Seek guidance from Numatic team before use.
Technical information supplied as guidance for use by suitably qualified personnel only.
Numatic International Limited accepts no liability for misuse or negligence.

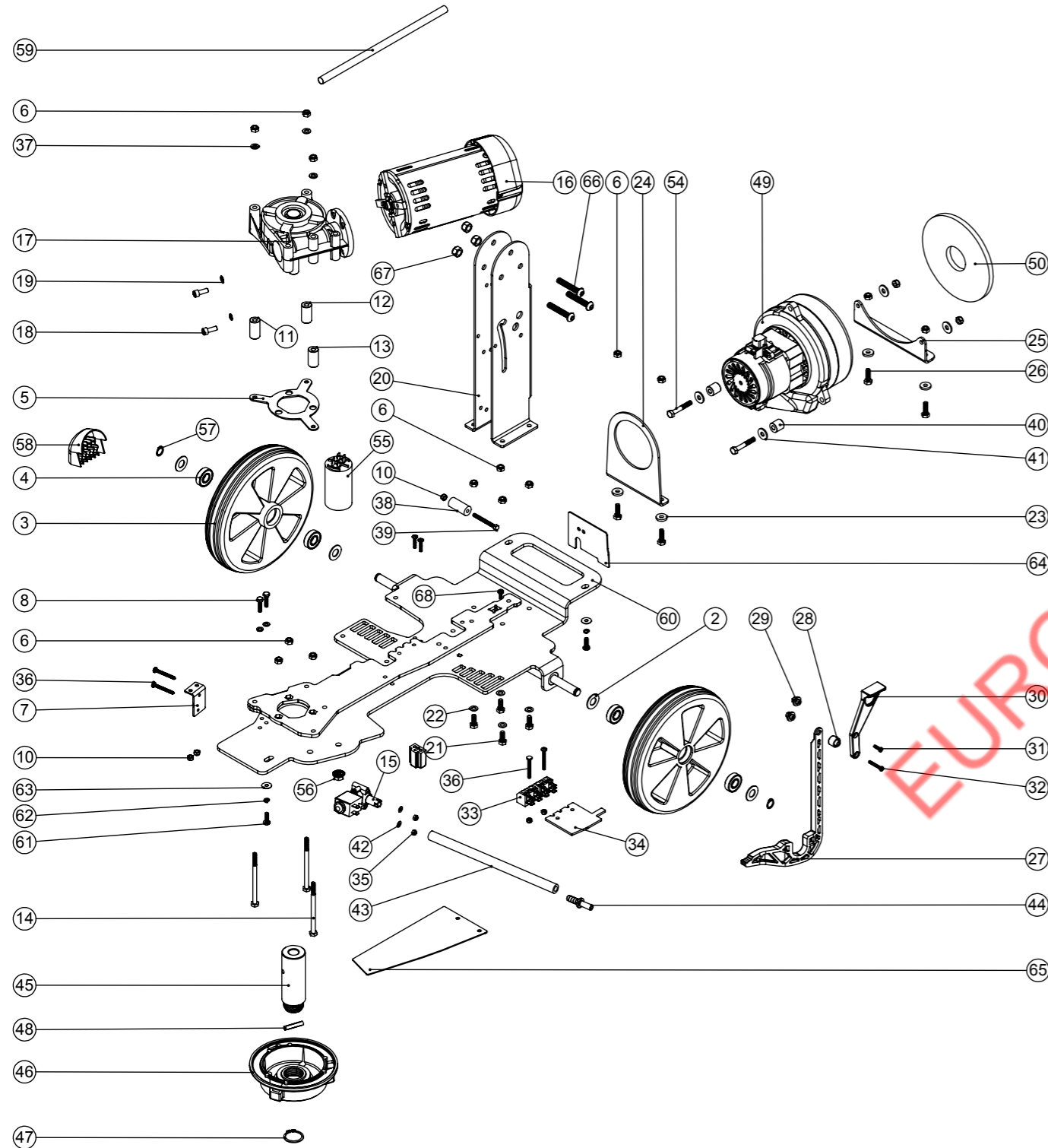


Numatic International Spare Parts

Model No: TT 1840 MAINS BASE ASSEMBLY DRAWING (220-240V 50/60Hz)

NB: FOR WIRING SEE DRAWING: DRW-13476

234937
DRAWING: DRW-13250 ISS:A01
03/04/2013



Numatic International Spare Parts

Model No: TT 1840 MAINS BASE ASSEMBLY DRAWING (220-240V 50/60Hz)

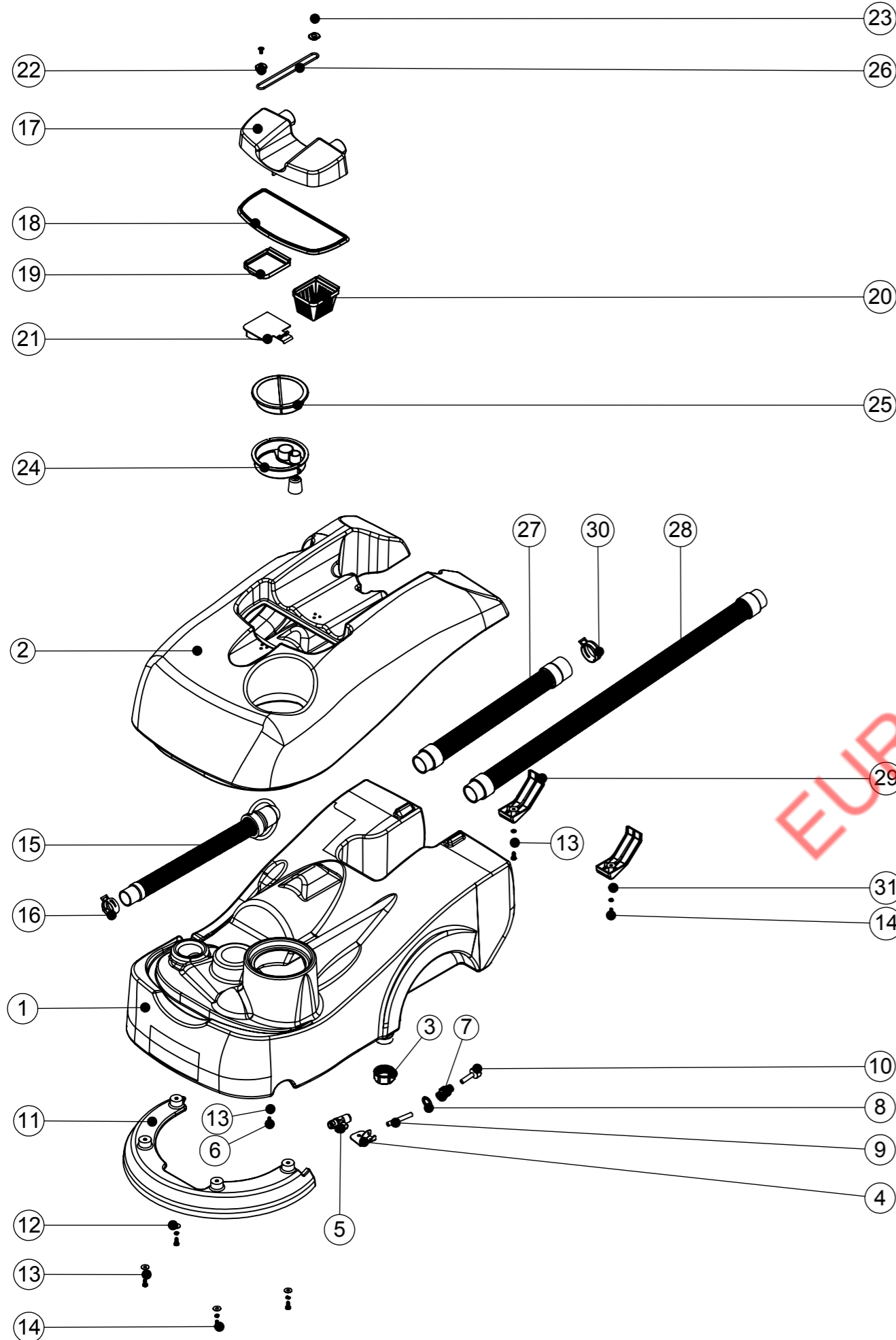
ITEM NO.	PART NO.	DESCRIPTION	QTY.
60	429137	TT 1840 CHASIS (MAINS) Z/PL	1
2	208490	TTB 1840 WHEEL WASHER	4
3	208556	TT/B 1840 WHEEL	2
4	206637	STAINLESS STEEL BEARING	4
5	429127	NUT RETAINING PLATE Z/PL	1
6	219642	M6 STAINLESS STEEL NYLON INSERT NUT	16
7	392117	TTB 1840 SOLENOID BRACKET	1
8	291029	M5.20MM LG.HEX.SCREW S/S	2
9	219355	M5 FORM A STAINLESS STEEL WASHER	2
10	219633	M5 STAINLESS STEEL NYLON INSERT NUT	3
11	208461	30MM GEARBOX SPACER	1
12	208460	29MM GEARBOX SPACER	1
13	208459	28MM GEARBOX SPACER	1
14	291021	M6 X 90MM LONG STAINLESS STEEL HEXAGONAL HEAD BOLT	3
15	220348	SOLENOID VALVE 240V 50/60HZ	1
16	205255	220-240V 50/60Hz BRUSH DRIVE MOTOR WITH FAN	1
17	206754	EMD GEARBOX (GB12) (18.67:1 RATIO)	1
17	206791	EMD GEARBOX (GB12) (21:1 RATIO) - 60Hz MACHINES ONLY	1
18	219887	M6 X 16MM STAINLESS STEEL CAP HEAD SCREW	2
19	219544	M6 SHAKEPROOF WASHER	2
20	392092	TTB 1840 HANDLE MOUNTING BRACKET	1
21	219719	M6 X 16MM LONG HEXAGONAL STAINLESS STEEL HEAD BOLT	4
22	219560	M6 FORM B STAINLESS STEEL WASHER	4
23	208472	RUBBER SPACER	4
24	429124	TTB 1840 FRONT MOTOR PLATE	1
25	429125	TTB 1840 REAR VAC MOTOR PLATE	1
26	219976	M6 X 20MM LONG HEXAGONAL HEAD SET SCREW	4
27	237238	TTB 1840 SQUEEGEE LIFT ARM	1
28	237240	TTB 1840 LIFT SPACER	1
29	237241	TTB 1840 SCREW END	2
30	237239	TTB 1840 SQUEEGEE LIFT HANDLE	1
31	219667	No6 X 1/2" LONG PLASTITE SCREW	1
32	219602	No6 X 1 INCH LONG POZI PAN PLASTITE SCREW	1
33	208532	TAB TERMINAL BLOCK 2 POLE	2
34	392317	RAISER PLATE	1
35	219687	M4 STAINLESS STEEL NYLON INSERT NUT	4
36	219703	M4 X 35MM LONG STAINLESS STEEL POZI PAN SCREW	4
37	219870	M6 FORM A WASHER STAINLESS STEEL	3
38	208465	TTB 1840 HANDLE SPACER	1
39	219706	M5 X 45MM LONG STAINLESS STEEL HEXAGONAL BOLT	1
40	229187	15MM SPACER	2
41	219008	M6 FORM G WASHER	4
42	219688	M4 FORM A STAINLESS STEEL WASHER	2
43	303962	SOLENOID TUBE (230MM)	1
44	206796	BARBED CONNECTOR	1
45	208447	TTB 1840 DRIVE SHAFT	1
46	314050	TTB 1840 MODIFIED CHUCK	1
47	230048	26MM EXTERNAL CIRCLIP	1
48	219523	GROOVED PIN	1
49	205254	220-240V 2 STAGE VACUUM MOTOR WITH TANGENTIAL DISCHARGE AND TUBE	1
50	208477	MOTOR PAD	1
54	21965V	M6 X 40MM LONG HEX BOLT	2
55	220876	20 MFD MOTOR RUN CAPACITOR (450V)	1
56	219754	M8 FLANGED NUT	1
57	219345	12MM EXTERNAL CIRCLIP	2
58	237218	TTB 1840 VAC DIFFUSER	1
59	330103	MOTOR WIRE SLEEVE (260MM CUT LENGTH)	1
61	219547	M5 X 16MM LONG POZI PAN STAINLESS STEEL SCREW	3
62	219861	M5 SINGLE COIL STAINLESS STEEL WASHER	3
63	219644	M5 FORM G STAINLESS STEEL WASHER	3
64	304461	TT1840 REAR SPLASH PLATE	1
65	304462	TT1840 MOTOR SPLASH PLATE	1
66	219822	M8 X 45MM LONG SOCKET BUTTON STAINLESS STEEL HEAD BOLT	3
67	219639	M8 STAINLESS STEEL NYLON INSERT NUT	3
68	219471	M4 X 12MM LONG POZI PAN SEMS SCREW	1
69	237532	UPPER LIFT BLOCK	1

Numatic International Spare Parts

Model No: TT 1840 TANK ASSEMBLY EXPLODED DRAWING

234939
DRAWING: DRW-13251 ISS:A01
27/02/2013

NB: FOR WIRING SEE DRAWING: WD-0???



Numatic International Spare Parts

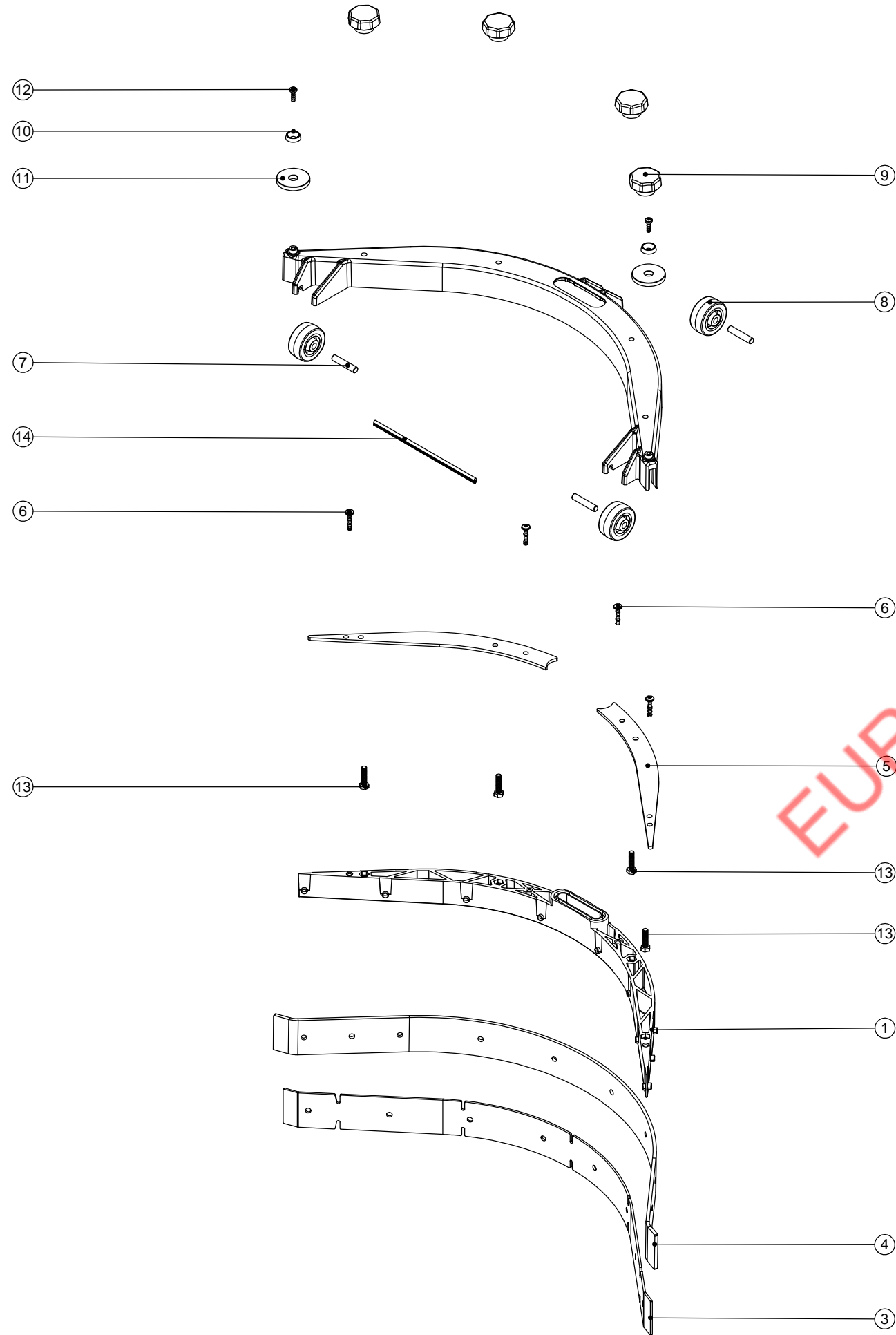
Model No: TT 1840 TANK ASSEMBLY EXPLODED DRAWING

ITEM NO.	PART NO.	DESCRIPTION	QTY.
1	237464	TT 1840 CLEAN TANK (MAINS)	1
2	237465	TTB 1840 COLLECTION TANK	1
3	208448	TANK DRAIN CAP	1
4	392125	TTB 1840 TAP PLATE	1
5	216260	MINI BALL VALVE	1
6	219668	M5 X 10MM LONG POZI PAN STAINLESS STEEL SCREW	1
7	208522	8MM PUSH FIT METAL BULKHEAD FITTING	1
8	208525	BONDED SEAL	1
9	303960	TANK FILTER TUBE	1
10	303961	TANK FILTER ASSEMBLY	1
11	237233	TTB 1840 DECK MOULDING	1
12	219644	M5 FORM G STAINLESS STEEL WASHER	4
13	219861	M5 SINGLE COIL STAINLESS STEEL WASHER	7
14	219740	M5 X 12MM LONG STAINLESS STEEL POZI PAN SCREW	6
15	303997	TTB 1840 DUMP HOSE ASSEMBLY	1
16	208471	CONSTANT TENSION CLIP	1
17	237230	TTB 1840 SEPARATOR MOULDING	1
18	237418	TTB 1840 SEPARATOR SEAL MOULDING	1
19	237232	TTB 1840 AIR FILTER PANEL	1
20	237411	TOP TANK FILTER	1
21	237231	TTB 1840 SHUT OFF FLAP	1
22	237397	O RING CLIP MOULDING	2
23	291008	M5 X 10MM LONG POZI PAN COUNTERSUNK STAINLESS STEEL SCREW	2
24	303985	TTB 1840 FILLER CAP ASSEMBLY	1
25	237268	FILLER CAP LID	1
26	208715	O RING (3mmDIA.95mm)	1
27	213055	TTB 1840 VAC HOSE C/W CUFFS	1
28	213054	SUCTION HOSE	1
29	237466	SKID PLATE MOULDING	2
30	208537	VAC HOSE CONSTANT TENSION CLIP	1
31	219355	M5 FORM A STAINLESS STEEL WASHER	2

Numatic International Spare Parts

Model No: TTB 1840 SQUEEGEE EXPLODED DRAWING ASSEMBLY

234807
DRAWING: DRW-7011 ISS:A02
26/10/2011



Numatic International Spare Parts

Model No: TTB 1840 SQUEEGEE EXPLODED DRAWING ASSEMBLY

ITEM NO.	Item_No	DESCRIPTION	QTY.
1	237235	TTB 1840 SQUEEGEE INNER MOULDING	1
2	237236	TTB 1840 SQUEEGEE OUTER MOULDING	1
3	208456	TTB 1840 SQUEEGEE FRONT BLADE	1
4	208457	TTB 1840 SQUEEGEE REAR BLADE	1
5	429130	TTB 1840 SQUEEGEE SIDE PLATE Z/PL	2
6	219568	No8 X 3/4 INCH LONG POZI PAN STAINLESS STEEL SCREW	4
7	391397	TTB 1840 SQUEEGEE AXLE	3
8	208454	TTB 1840 SQUEEGEE WHEEL	3
9	208455	TTB 1840 SQUEEGEE KNOB	4
10	219573	SCREW INSULATOR	2
11	237266	TTB 1840 BUFFER WHEEL	2
12	219318	No6 X 1/2 INCH LONG POZI PAN PLASTITE SCREW	2
13	291029	M5.20MM LG.HEX.SCREW.Z/PL	4
14	209077	SQUEEGEE SEAL EXTRUSION	1