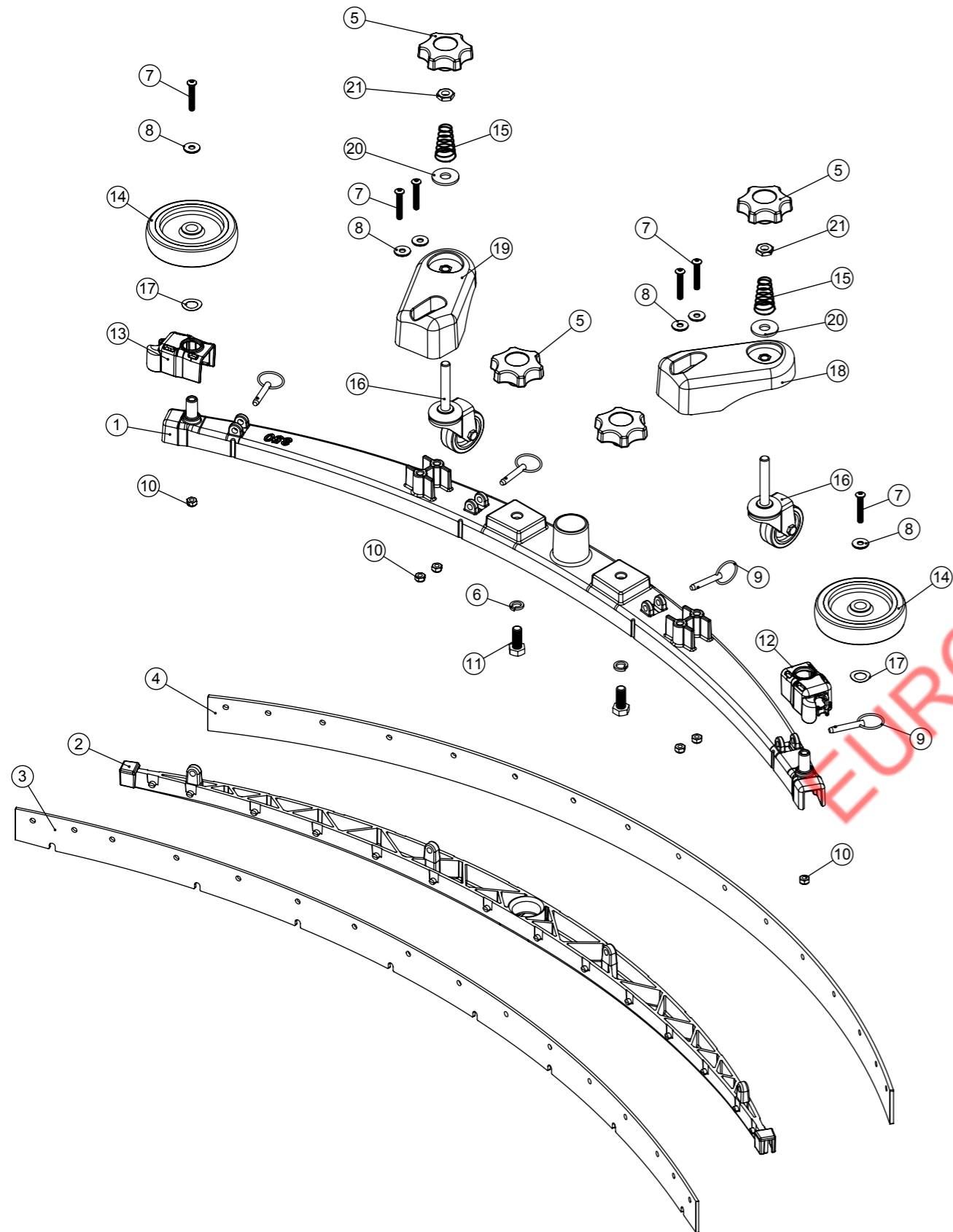


Numatic International Spare Parts

Model No: 850 TWINTEC ALUMINIUM FLOOR TOOL (38MM HOSE)

Internal Code: 599443 900481 900481 900481
 DRAWING: DRW-18079 ISS:A06
 PRO 27/03/2018

NB: FOR WIRING SEE DRAWING: N/A



Numatic International Spare Parts

Model No: 850 TWINTEC ALUMINIUM FLOOR TOOL (38MM HOSE)

ITEM:	PART No:	DESCRIPTION	QTY.
1	208197	(850MM SCRUB WIDTH) ALUMINIUM SQUEEGEE CASTING (38MM HOSE FITTING)	1
2	229988	(850MM SCRUB WIDTH) BLADE HOLDER MOULDING (SLOPING PROFILE) (32MM & 38MM HOSE FITTING)	1
3	SEE TABLE	(850MM SCRUB WIDTH) REPLACEMENT (3.2MM / 40 SHORE A) FRONT MONOLAYER SERILOR POLY/BLADE (1085MM LONG)	1
4	SEE TABLE	850MM SCRUB WIDTH REPLACEMENT REAR BLADE (1117MM LONG)	1
5	903281	M10 LOBE KNOB (RED)	4
6	219899	M10 SINGLE COIL STAINLESS STEEL WASHER	2
7	219933	M6 X 35MM SOCKET BUTTON HEAD BOLT STAINLESS STEEL	6
8	219647	M6 FORM G STAINLESS STEEL WASHER	6
9	206953	DETENT PINS	4
10	219642	M6 STAINLESS STEEL NYLON INSERT NUT	6
11	219909	M10 X 25MM LONG HEXAGONAL STAINLESS STEEL SCREW	2
12	237322	RIGHT HAND FLOOR TOOL CLIP MOULDING	1
13	237323	LEFT HAND FLOOR TOOL CLIP MOULDING	1
14	208796	4 INCH WHEEL	2
15	229175	CONICAL SPRING	2
16	907759	50MM DIAMETER GREY TPR TYRED SWIVEL CASTOR C/W M10 X 60 SWAGED STEM.	2
17	219891	13MM WAVEY WASHER	2
18	906860	ADJUSTABLE FLOOR TOOL CASTOR PLASTIC PLATE LEFT	1
19	906859	ADJUSTABLE FLOOR TOOL CASTOR PLASTIC PLATE RIGHT	1
20	291124	M10 PENNY WASHER STAINLESS STEEL	2
21	219951	A4 (STAINLESS STEEL) M10 HEX LOCK NUT (HALF NUT)	2

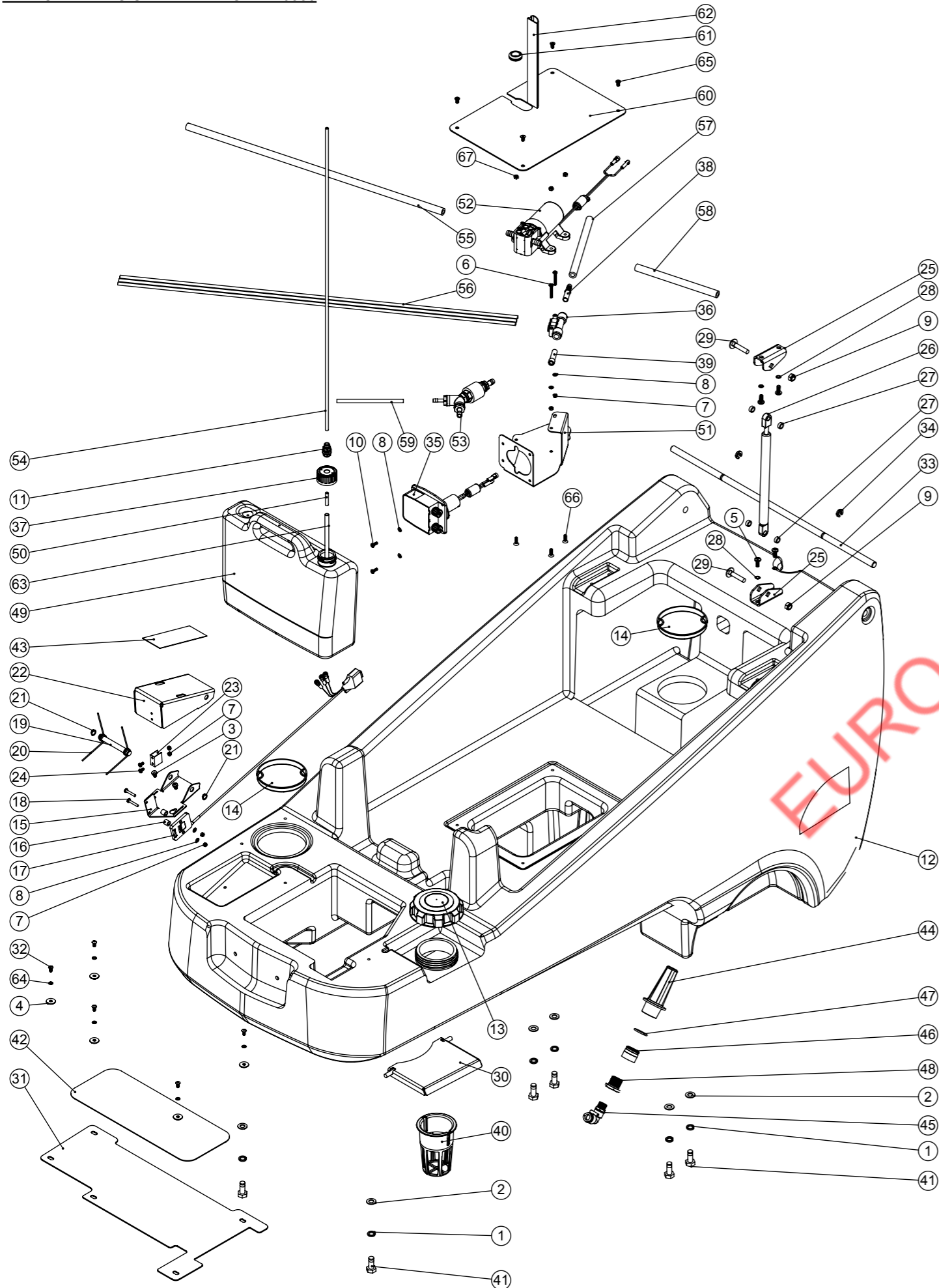
BLADE	FRONT	REAR
POLYURETHANE 43 SHORE A	206949	206950
POLYURETHANE 50 SHORE A	208193	208195
LINATEX NATURAL RUBBER 40 SHORE A	208194	208196
SERILOR®CLEAN POLYURETHANE FRONT: 40 SHORE A / REAR: 35-45-35 SHORE A	208969	208972

Numatic International Spare Parts

Model No: TTV678/400 BOTTOM TANK / PUMP / PEDAL ASSEMBLY
EXPLODED DRAWING

NB: FOR WIRING SEE DRAWING: WD-0359

Internal Code: 905580
DRAWING: DRW-24927 ISS:A06
PRO 16/10/2017



Numatic International Spare Parts

Model No: TTV678/400 BOTTOM TANK / PUMP / PEDAL ASSEMBLY
EXPLODED DRAWING

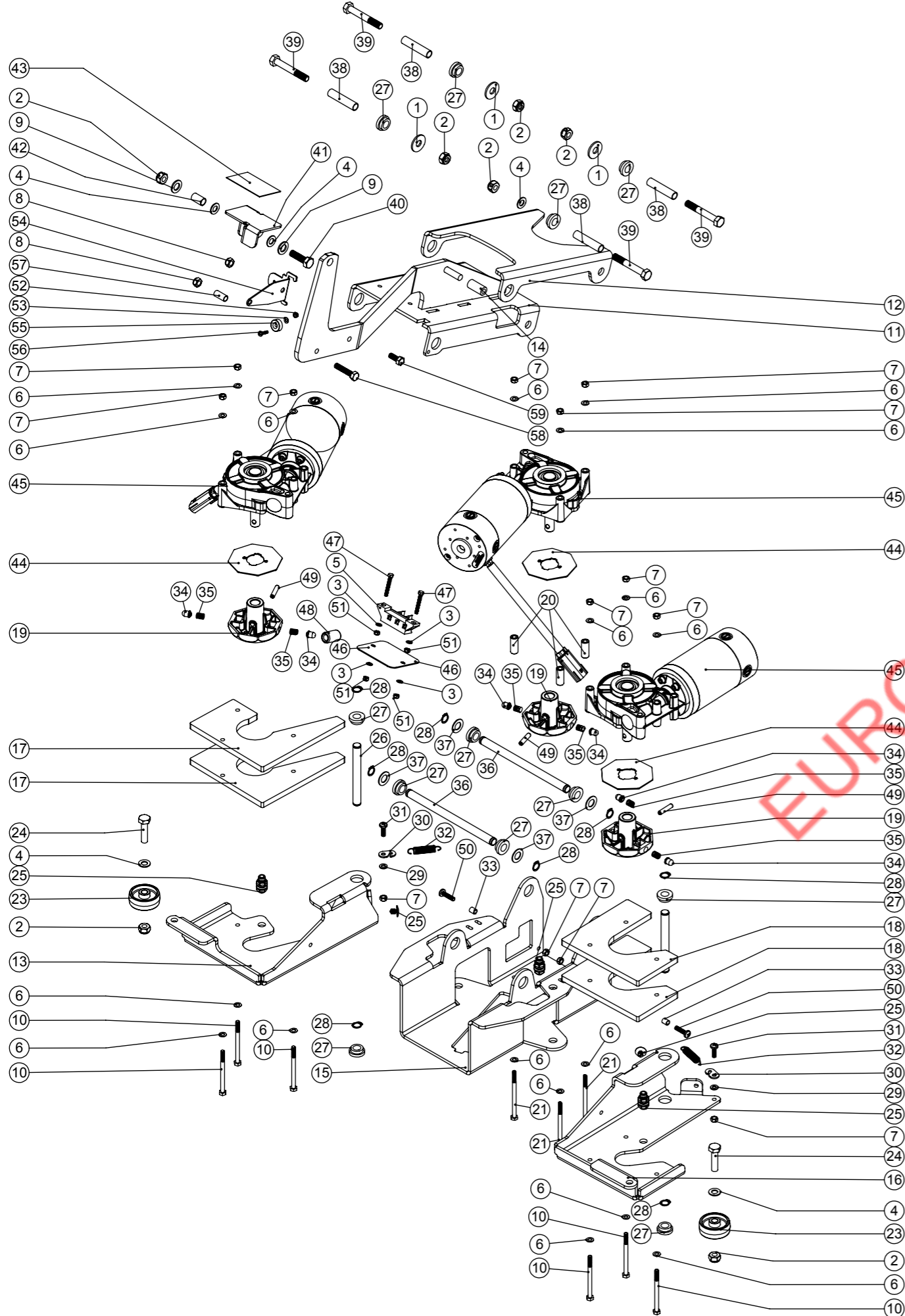
ITEM	PART NO.	DESCRIPTION	COMMENTS	QTY.
1	219899	M10 SINGLE COIL STAINLESS STEEL WASHER		6
2	219903	M10 FORM A STAINLESS STEEL WASHER		6
3	291135	M5 X 10MM LONG STAINLESS STEEL POZI PAN SEMS SCREW		2
4	291118	M5 STAINLESS STEEL WASHER 19MM OD		5
5	219646	M6 X 16MM LONG POZI PAN STAINLESS STEEL SCREW		4
6	219913	M4 X 30MM LONG POZI PAN STAINLESS STEEL SCREW		2
7	219687	M4 STAINLESS STEEL NYLON INSERT NUT		8
8	219688	M4 FORM A STAINLESS STEEL WASHER		6
9	219639	M8 STAINLESS STEEL NYLON INSERT NUT		2
10	219890	M4 X 12MM LONG POZI PAN STAINLESS STEEL SCREW		2
11	208032	6MM BULKHEAD CONNECTOR		1
12	229838	TTV BOTTOM TANK MOULDING		1
13	904198	FILLER CAP RED	BLACK VERSION 208077	1
14	219452	100MM DIAMETER HOLE PLUG		2
15	329841	ACCELERATOR HINGE PLATE		1
16	219574	NYLON SPACER		2
17	206905	ACCELERATOR SENSOR		1
18	291165	M4 X 25MM LONG POZI SCREW STAINLESS STEEL		2
19	208046	CIRCLIP BAR		1
20	208047	TORSION SPRING (LEFT HAND)		2
21	905550	10MM EXTERNAL CIRCLIP ST/ST		2
22	329840	ACCELERATOR PEDAL COVER		1
23	404051	GILL SENSOR ACTIVATOR PLATE (PAINTED ANTHRACITE GREY)		1
24	219697	M4 X 8MM LONG POZI PAN STAINLESS STEEL SCREW		2
25	392455	GAS STRUT BRACKET - CARRIAGE BOLT		2
26	208042	GAS STRUT		1
27	291121	NYLON SPACER I/D 8.2MM X O/D 12MM X 5MM LG		4
28	291060	WASHER M6 SHAKEPROOF STAINLESS STEEL		4
29	291120	M8 X 40 CARRIAGE BOLT S/S		2
30	303822	FILLER CAP COVER WELDED ASSEMBLY		1
31	329839	FLOOR PLATE		1
32	291004	M5 X 10MM LONG STAINLESS STEEL BUTTON HEAD SCREW		5
33	208071	TOP TANK PIVOT TUBE		1
34	208072	PLASTIC FIXING RING		2
35	321663	DETERGENT PUMP & SOLDERED LEAD ASSEMBLY		1
36	208031	3 WAY MANIFOLD (10MM DIAMETER INPUT / 6MM DIAMETER OUTPUT)		1
37	303827	PROCESSED BLUE CAP		1
38	208035	10MM X 8MM BARBED CONNECTOR		1
39	208034	10MM BLANKING PLUG		1
40	904197	BOTTOM TANK FILLING FILTER RED	GREY VERSION 208790	1
41	291141	M10 X 25MM LG HEX HEAD SCREW STAINLESS STEEL C/W THREADLOCK		6
42	208998	ANTI-SLIP TREAD PAD (SELF ADHESIVE)		1
43	903855	ACCELERATOR GRIP PAD (RED)	BLACK VERSION 391222	1
44	206265	TT/B 345 BARREL FILTER		1
45	206799	3/8 INCH BSP MALE SWIVEL ELBOW X 12MM TUBE		1
46	206274	FILTER CONNECTOR		1
47	219626	23MM I/D X 2.5MM SECTION O RING		1
48	206275	TAP CONNECTOR FITTING		1
49	303800	PROCESSED DOSING TANK MOULDING		1
50	391219	SUPER FLEXIBLE NYLON TUBE I/D 4.0MM X O/D 6.0MM CUT TO LENGTH (30MM)		1
51	329891	RIDE-ON PUMP ASSEMBLY BRACKET (SEKO PUMP)		1
52	321406	WATER PUMP & LEAD ASSEMBLY		1
53	208118	NONE RETURN VALVE ASSEMBLY		1
54	391218	SUPER FLEXIBLE NYLON TUBE I/D 4.0MM X O/D 6.0MM CUT TO LENGTH (1500MM)		1
55	391216	SILICON TUBE 600MM LONG X 8MM I/D X 3.2MM WALL SECTION		1
56	391220	SUPER FLEXIBLE NYLON TUBE I/D 4.0MM X O/D 6.0MM CUT TO LENGTH (820MM)		3
57	391215	SILICON TUBE 200MM LONG X 8MM I/D X 3.2MM WALL SECTION		1
58	391214	SILICON TUBE 190MM LONG X 8MM I/D X 3.2MM WALL SECTION		1
59	391217	SUPER FLEXIBLE NYLON TUBE I/D 4.0MM X O/D 6.0MM CUT TO LENGTH (135MM)		1
60	404035	RIDE ON PUMP COVER PLATE (PAINTED GREY)		1
61	219934	GROMMET		1
62	391228	210MM LONG SELF ADHESIVE CABLE DUCTING		1
63	227998	260MM LONG SOLUTION TUBE		1
64	291084	WASHER.M5.SHAKEPROOF.STAINLESS STEEL		5
65	291008	M5 X 10MM LONG POZI PAN COUNTERSUNK STAINLESS STEEL SCREW		4
66	219572	M5 X 16MM LONG POZI PAN COUNTERSUNK SCREW (STAINLESS STEEL)		3
67	291035	M5 NYLON INSERT NUT (STAINLESS STEEL)		3

Numatic International Spare Parts

Model No: TTV678 BRUSH DECK / LIFTING LINK / CHUCK ASSEMBLY
EXPLODED DRAWING

NB: FOR WIRING SEE DRAWING: WD-0359, DRW-15631

Internal Code: 905582
DRAWING: DRW-24931 ISS:A14
21/03/2018



Numatic International Spare Parts

Model No: TTV678 BRUSH DECK / LIFTING LINK / CHUCK ASSEMBLY
EXPLODED DRAWING

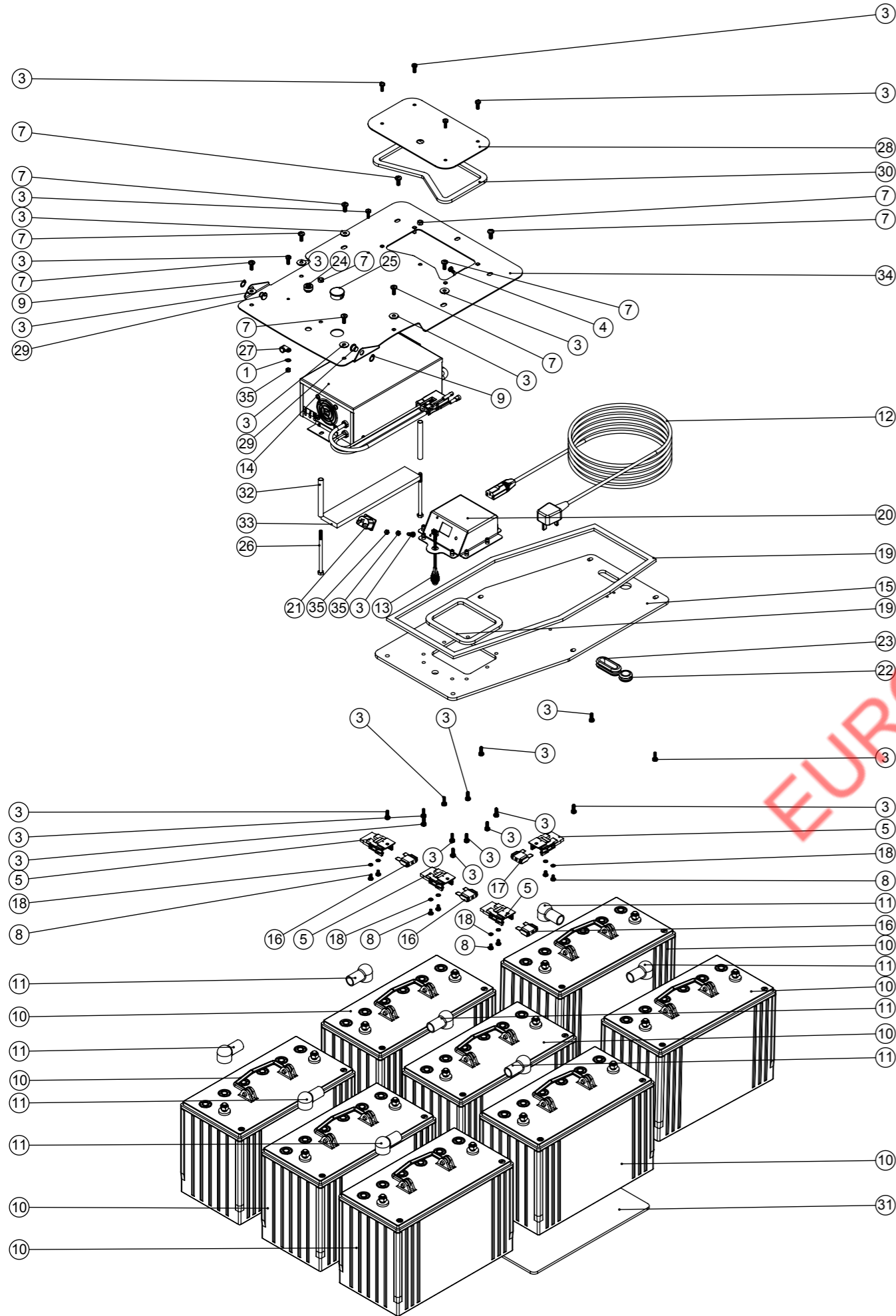
ITEM	PART NO.	DESCRIPTION	COMMENTS	QTY.
1	291124	M10 PENNY WASHER STAINLESS STEEL		3
2	219897	M10 STAINLESS STEEL NYLON INSERT NUT		7
3	219355	M5 FORM A STAINLESS STEEL WASHER	MODELS BUILT BEFORE 03/2014	4
4	219903	M10 FORM A STAINLESS STEEL WASHER		5
5	206788	TERMINAL BLOCK	MODELS BUILT BEFORE 03/2014	1
6	219560	M6 FORM B STAINLESS STEEL WASHER		18
7	219983	M6 NYLOC STAINLESS STEEL FULL NUT		13
8	219639	M8 STAINLESS STEEL NYLON INSERT NUT		2
9	219911	PLASTIC WASHER		2
10	219915	M6 X 80MM LONG STAINLESS STEEL HEXAGONAL HEAD BOLT		6
11	404044	BRUSH DECK PEDAL ARM WELDED ASSEMBLY - PAINTED SILVER GREY		1
12	404045	BRUSH DECK REAR LINK - PAINTED SILVER GREY		1
13	303803	WELDED BRUSH DECK RIGHT PIVOT PAINTED SILVER GREY		1
14	391211	SILICON TUBE 30MM LONG X 8MM I/D X 3.2MM WALL SECTION		1
15	329816	BRUSH DECK CENTRE PIVOT PAINTED SILVER GREY		1
16	303802	WELDED BRUSH DECK LEFT PIVOT PAINTED SILVER GREY		1
17	404037	RIDE-ON RH BRUSH DECK WEIGHT PAINTED SILVER GREY		2
18	404036	LEFTHAND BRUSH DECK WEIGHT (PAINTED SILVER GREY)		2
19	206966	CHUCK CASTING	SPARE PART: 303809 INCLUDING: 22,42,43,54,59	3
20	206851	MOTOR MOUNTING SPACER		3
21	291021	M6 X 90MM LONG STAINLESS STEEL HEXAGONAL HEAD BOLT		3
25	208024	PUSH IN BARBED FASTENER		2
23	206712	50MM DIAMETER BLACK WHEEL		2
24	903430	M10 X 40MM LONG HEXAGONAL STAINLESS STEEL SCREW		2
25	208032	6MM BULKHEAD CONNECTOR		3
26	206981	BRUSH DECK PIVOT PIN		2
27	208058	SHOULDERED BUSH - Ø12.9MM I/D		12
28	905563	13MM EXTERNAL CIRCLIP ST/ST		8
29	219493	M6 NYLON WASHER		2
30	329920	BRUSH DECK SPRING PIVOT BRACKET		2
31	219701	M6 X 20MM LONG POZI PAN STAINLESS STEEL SCREW		2
32	208050	BRUSH DECK ROTATION SPRING		2
33	219843	6MM I/D X 9.5MM LONG SPIROL SPACER (STAINLESS STEEL)		2
34	208135	CHUCK DOME		6
35	206957	DRIVE SYSTEM SPRING		6
36	206980	PIVOT TUBE		2
37	219302	M12 FORM B STAINLESS STEEL WASHER		4
38	391194	PIVOT TUBE A		4
39	904945	M10 X 70MM LONG HEX BOLT STAINLESS STEEL		4
40	219895	M10 X 35MM LONG HEXAGONAL STAINLESS STEEL SCREW		1
41	329807	FOOT PEDAL HINGE BRACKET		1
42	303811	12.7MM DIAMETER X 18G X 20MM LONG STAINLESS STEEL TUBE		1
43	904204	FOOT PEDAL GRIP PAD RED	BLACK VERSION 391221	1
44	392331	OCTO CHUCK PLASTIC COVER		3
45	205263	24V DC BRUSH DRIVE PM90 MOTOR/GEARBOX ASSEMBLY (14:1 RATIO) C/W WATERPROOF CONNECTOR		3
46	329922	BRUSH DECK TERMINAL SPLASH GAURD	MODELS BUILT BEFORE 03/2014	1
47	905554	M5 X 35MM LONG HEXAGONAL HEAD SCREW ST/ST	MODELS BUILT BEFORE 03/2014	2
48	230097	AXIAL FERRITE BEAD 17.5 X 9.5 X 28.5 (REF 742 700 9)	MODELS BUILT BEFORE 03/2014	1
49	291079	6MM X 30MM STAINLESS STEEL ROLL PIN		3
50	902232	M6 X 25MM LONG POZI PAN SCREW STAINLESS STEEL		2
51	291035	M5 NYLON INSERT NUT (STAINLESS STEEL)		4
52	219687	M4 STAINLESS STEEL NYLON INSERT NUT		1
53	219688	M4 FORM A STAINLESS STEEL WASHER		1
54	907246	MAGNET PEDAL ARM BRACKET		1
55	208382	MAGNET(19MM O/D)		1
56	219862	M4 X 16MM LONG POZI PAN STAINLESS STEEL SCREW		1
57	906651	SPACER (S/S 10MM O/D 8MM I/D X 22MM LONG)		1
58	291112	M8 X 40 LONG HEX BOLT STAINLESS STEEL		1
59	219717	M8 X 20MM LONG HEXAGONAL STAINLESS STEEL BOLT		1

Numatic International Spare Parts

Model No: TTV678/400 CHARGER / CHARGER PLATE / BATTERIES
ASSEMBLY EXPLODED DRAWING

Internal Code: 905584
DRAWING: DRW-24934 ISS:A04
PRO 15/09/2017

NB: FOR WIRING SEE DRAWING: WD-0359



Numatic International Spare Parts

Model No: TTV678/400 CHARGER / CHARGER PLATE / BATTERIES
ASSEMBLY EXPLODED DRAWING

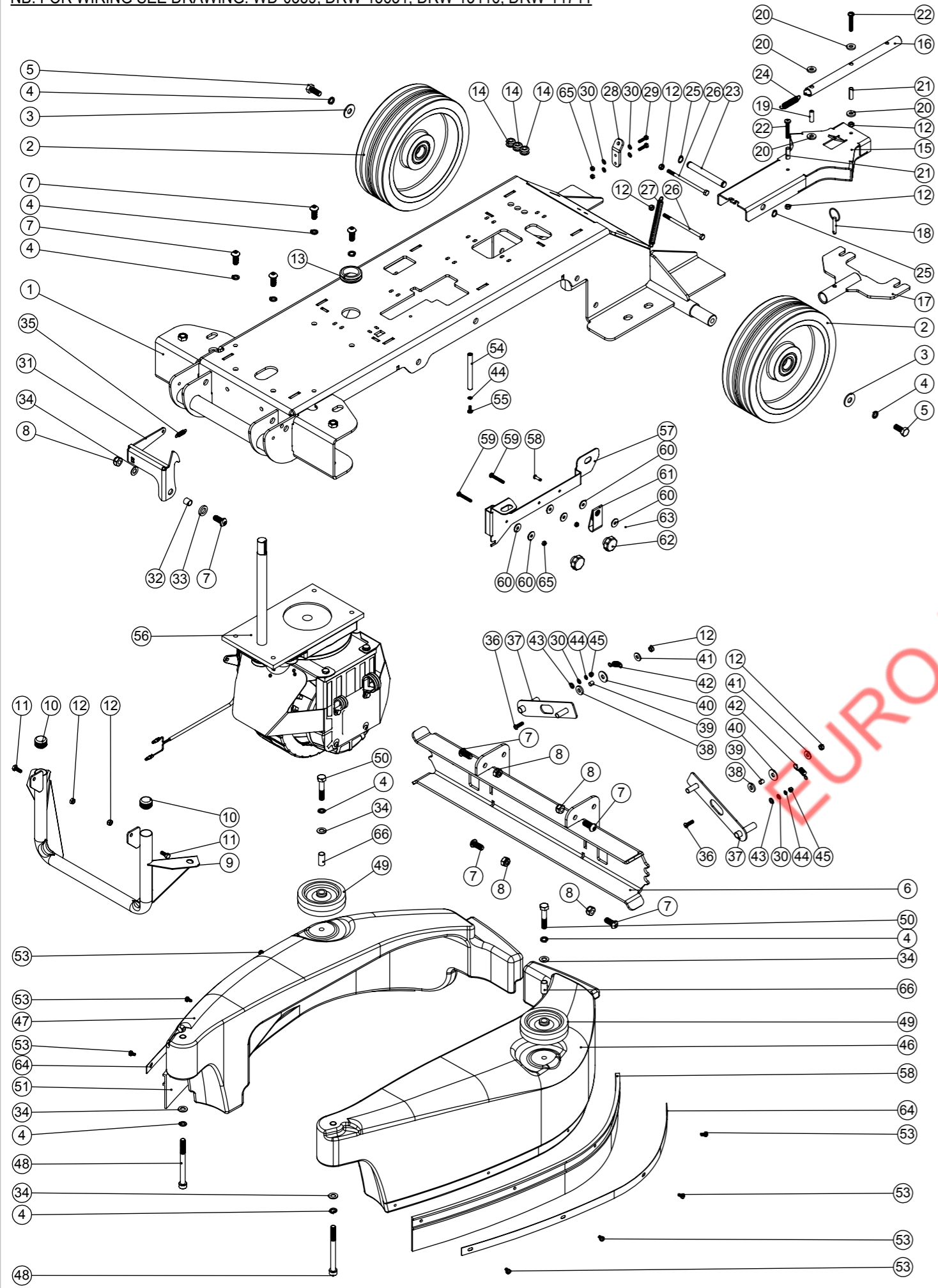
POS.	ITEM NO.	DESCRIPTION	COMMENTS	QTY.
1	219355	M5 FORM A STAINLESS STEEL WASHER		2
3	291132	M5 X 16MM LONG STAINLESS STEEL POZI PAN SEMS SCREW		21
3	219647	M6 FORM G STAINLESS STEEL WASHER		6
4	291135	M5 X 10MM LONG STAINLESS STEEL POZI PAN SEMS SCREW		1
5	230102	FUSE HOLDER RATED AT 60 AMPS		4
7	219646	M6 X 16MM LONG POZI PAN STAINLESS STEEL SCREW		8
7	219983	M6 NYLOC STAINLESS STEEL FULL NUT		2
8	902896	M5 X 8 A4 S/ST PZ PAN HD M/SCREW		8
9	905550	10MM EXTERNAL CIRCLIP ST/ST		2
10	205112	100 AMP/HOUR REPLACEMENT BATTERY (C/W PACKING FOR 230138 BATTERY)		8
11	206861	RED PVC TERMINAL CAP		8
12	220386	UK TYPE CHARGING LEAD		1
	221079	EURO TYPE CHARGING LEAD		1
	220389	USA TYPE CHARGING LEAD		1
13	270193	NEON INDICATOR RED LENS 230V C/W LINK WIRES		1
14	230185	110-120V MENTZER 30 AMP CHARGER (190MM WIRE VERSION)		1
	230142	110-120V MENTZER 35 AMP CHARGER	(SURGE ARRESTER FITTED IN MAINS LEAD)	1
15	329875	TOP TANK PLASTIC COVER PLATE		1
16	221047	40 AMP MAXI FUSE	6 BATTERY MACHINES ONLY	3
	230104	30 AMP MAXI FUSE	8 BATTERY MACHINES ONLY	3
17	230104	30 AMP MAXI FUSE	8 BATTERY MACHINES ONLY	1
18	291084	WASHER.M5.SHAKEPROOF.STAINLESS STEEL		8
19	212997	6MM X 12MM X 12METERS ROLL INSEAL		1
20	303851	NUTSERED CHARGING BOX	USE ISS: A03 FOR MACHINES BEFORE: 12/01/2009	1
21	208078	IEC INLET SOCKET		1
22	208143	20MM GROMMET X 6MM PANEL THICKNESS		1
23	208144	38MM GROMMET X 6MM PANEL THICKNESS		1
24	208140	IP66/67 GROMMET		1
25	206314	WINDOW PLUG		1
26	905560	M6 X 100MM LONG HEXAGONAL HEAD BOLT ST/ST		2
27	219393	P CLIP		2
28	329924	CHARGER ACCESS PANEL		1
29	206647	PIVOT BUSH		2
30	212997	6MM X 12MM X 12METERS ROLL INSEAL		1
31	208160	RUBBER MAT		1
32	391266	88.5MM LONG X 10MM DIAMETER X 1MM WALL STAINLESS STEEL TUBE		2
33	229303	BATTERY PLATE PAD		1
34	303852	NUTSERED SEAT PIVOT BRACKET / CHARGER PLATE		1
35	291035	M5 NYLON INSERT NUT (STAINLESS STEEL)		4

Numatic International Spare Parts

Model No: TTV678 & TRO650 CHASSIS / DRIVE MOTOR ASSEMBLY
EXPLODED DRAWING

NB: FOR WIRING SEE DRAWING: WD-0359, DRW-15631, DRW-13416, DRW-14741

Internal Code: 905585
DRAWING: DRW-24936 ISS:A11
21/03/2018



Numatic International Spare Parts

Model No: TTV678 & TRO650 CHASSIS / DRIVE MOTOR ASSEMBLY
EXPLODED DRAWING

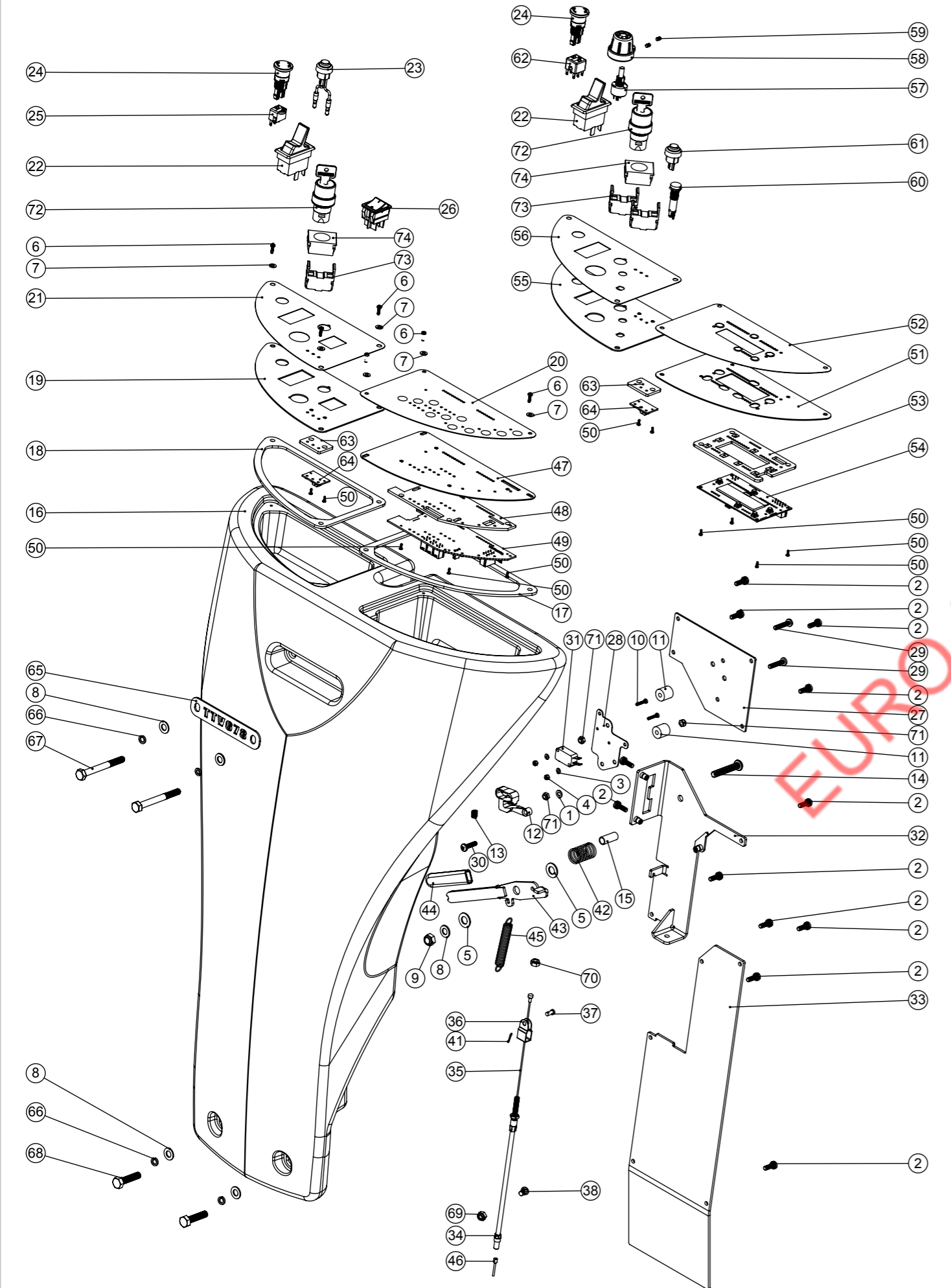
POS.	ITEM NO.	DESCRIPTION	COMMENTS	QTY.
1	404038	CHASSIS WELDED ASSEMBLY (PAINTED ANTHRACITE GREY)		1
2	206939	254MM DIAMETER WHEEL		2
3	291124	M10 PENNY WASHER STAINLESS STEEL		2
4	219899	M10 SINGLE COIL STAINLESS STEEL WASHER		10
5	219909	M10 X 25MM LONG HEXAGONAL STAINLESS STEEL SCREW		2
6	901567	SIDE POD SLIDE PLATE ASSEMBLY ZINC PLATED	TTV678	1
	304457	TRO SIDE POD SLIDE PLATE ASSEMBLY ZINC PLATED	TRO650	1
7	219910	M10 X 25MM LONG SOCKET BUTTON HEAD STAINLESS STEEL SCREW		9
8	219897	M10 STAINLESS STEEL NYLON INSERT NUT		5
9	404161	VARIO BUMPER WELD ASSEMBLY PAINT ANTHRACITE GREY		1
10	20637V	25.4MM TUBE END STOP		2
11	219719	M6 X 16MM LONG HEXAGONAL STAINLESS STEEL HEAD BOLT		2
12	219642	M6 STAINLESS STEEL NYLON INSERT NUT		8
13	208144	38MM GROMMET X 6MM PANEL THICKNESS		1
14	229025	STANDARD GROMMET		3
15	303797	TOP/BOTTOM LIFTING PLATE WELDED ASSEMBLY		1
16	303799	PIVOT TUBE WELDED ASSEMBLY		1
17	303795	QUICK RELEASE TUBE/PLATE WELDED ASSEMBLY		1
18	206953	DETENT PINS		1
19	206963	VERTICAL NYLON SPACER		1
20	206964	SLIDE NYLON SPACER		4
21	206954	SPIRO SPACER		2
22	902522	M6 X 40MM LONG SOCKET BUTTON HEAD STAINLESS STEEL BOLT		2
23	206965	PIVOT AXLE		1
24	206955	RETURN SPRING		1
25	905551	12MM EXTERNAL CIRCLIP ST/ST		2
26	905559	M6 X 110MM LONG HEXAGONAL HEAD BOLT ST/ST		2
27	20695V	SPRING		1
28	404195	REAR CABLE PLATE PAINTED ANTHRACITE GREY		1
29	291029	M5.20MM LG.HEX.SCREW S/S		2
30	219355	M5 FORM A STAINLESS STEEL WASHER		6
31	329849	BRUSH DECK FOOT PEDAL LATCH		1
32	303810	12.7MM DIAMETER X 18G X 12.5MM LONG STAINLESS STEEL TUBE		1
33	229346	SPACER		1
34	219903	M10 FORM A STAINLESS STEEL WASHER		5
35	208019	BRUSH PEDAL LATCH SPRING		1
36	905556	M6 X 20MM LONG SOCKET BUTTON HEAD ST/ST BOLT		2
37	303813	SIDE POD ADJUSTER BRACKET WELDED ASSEMBLY	TTV678	2
	304458	TRO RH SIDE POD ADJUSTER BRACKET WELD ASSEMBLY	TRO650	1
	304459	TRO LH SIDE POD ADJUSTER BRACKET WELD ASSEMBLY	TRO650	1
38	219959	M8 PLASTIC WASHER		2
39	208475	8MM SPACER		2
40	219716	M8 FORM G STAINLESS STEEL WASHER		2
41	219647	M6 FORM G STAINLESS STEEL WASHER		2
42	208079	EXTENSION SPRING		2
43	219870	M6 FORM A WASHER STAINLESS STEEL		2
44	219016	M5 SHAKEPROOF WASHER		3
45	219645	M5 STAINLESS STEEL DOME NUT		2
46	229835	LEFT HAND SIDE POD MOULDING		1
47	229834	RIGHT HAND SIDE POD MOULDING		1
48	904944	M10 X 110 SOCKET CAP SCREW STAINLESS STEEL		2
49	329187	100MM WHEEL (MODIFIED)		2
50	905557	M10 X 50MM LONG HEX HEAD BOLT ST/ST		2
51	206947	SPLASH SKIRT		2
53	291135	M5 X 10MM LONG STAINLESS STEEL POZI PAN SEMS SCREW		8
54	208804	87MM LONG ALUMINIUM SPACER		1
55	219740	M5 X 12MM LONG STAINLESS STEEL POZI PAN SCREW		1
56	N/A	VARIO DRIVE WHEEL ASSEMBLY	SEE DRW-24377	1
57	904918	POWER PLUG BRACKET		1
58	904922	CLEVIS PIN 3/16 x 5/8 STAINLESS STEEL		1
59	219661	M5 X 35MM LONG POZI PAN STAINLESS STEEL SCREW		2
60	291118	M5 STAINLESS STEEL WASHER 19MM OD		6
61	904919	RETAINING STRAP		1
62	208455	TTB 1840 SQUEEGEE KNOB		2
63	904923	MINI R-CLIP STAINLESS STEEL		1
64	329843	VARIO SPLASH SKIRT FIXING STRIP		2
65	291035	M5 NYLON INSERT NUT (STAINLESS STEEL)		4
66	391224	1/2 INCH DIA X 18G S/S TUBE (0.026)		2

Numatic International Spare Parts

Model No: TTV678 AND TRO650 FRONT MOULDING / LEVER & PANEL ASSEMBLY EXPLODED DRAWING

NB: FOR WIRING SEE DRAWING: WD-0359, DRW-15631, DRW-13416, DRW-14741

Internal Code: 905586
 DRAWING: DRW-24941 ISS:A10
 PRO 16/10/2017



Numatic International Spare Parts

Model No: TTV678 AND TRO650 FRONT MOULDING / LEVER & PANEL ASSEMBLY EXPLODED DRAWING

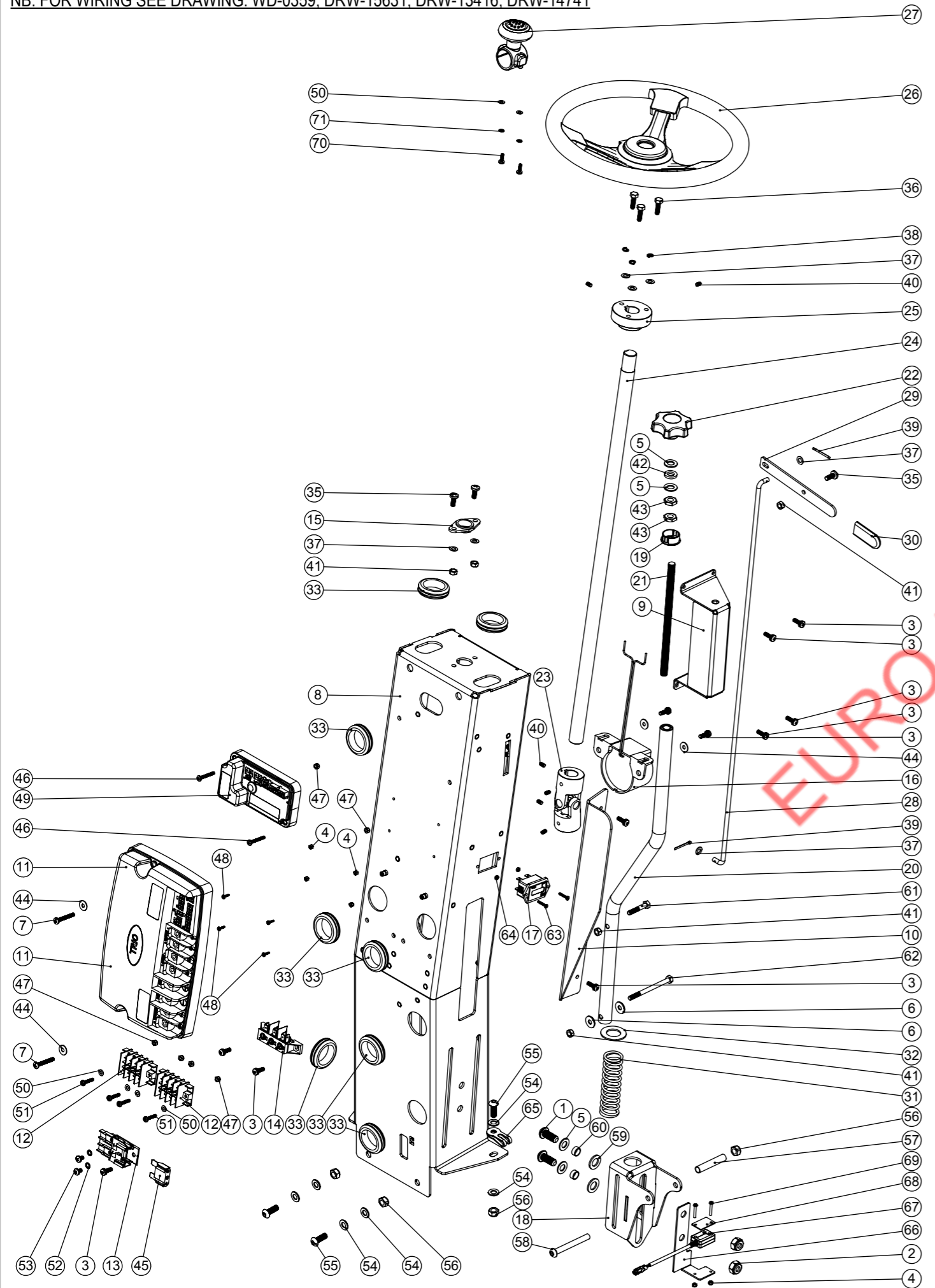
ITEM	PART NO.	DESCRIPTION	COMMENTS	QTY.
1	219355	M5 FORM A STAINLESS STEEL WASHER		1
2	291132	M5 X 16MM LONG STAINLESS STEEL POZI PAN SEMS SCREW		13
3	219501	M3 FORM A STAINLESS STEEL WASHER		2
4	291154	M3 NYLON INSERT NUT STAINLESS STEEL		2
5	219903	M10 FORM A STAINLESS STEEL WASHER		2
6	902534	M3 X 10MM LONG POZI PAN SCREW STAINLESS STEEL		6
7	219688	M4 FORM A STAINLESS STEEL WASHER		6
8	219578	M8 FORM A STAINLESS STEEL WASHER		5
9	219639	M8 STAINLESS STEEL NYLON INSERT NUT		1
10	219500	M3 X 16MM LONG STAINLESS STEEL SLOT SCREW		2
11	219587	15.39MM O/D X 5.16MM I/D X 15.88MM LONG NYLON SPACER		2
12	227587	CENTRE SWITCH OPERATING LEVER MOULDING		1
13	219804	SWITCH COMPRESSION SPRING		1
14	219822	M8 X 45MM LONG SOCKET BUTTON STAINLESS STEEL HEAD BOLT		1
15	391191	LEVER PIVOT SPACER (S/S 10MM O/D 8MM I/D X 24MM LONG)		1
16	237335	TTV STEERING COLUMN MOULDING (GRAPHITE)	BLUE VERSION 229858	1
17	208096	PCB GASKET		1
18	208097	KEY PANEL GASKET		1
	310062	PCB REPLACEMENT KIT (MK3) INCLUDES ITEMS: 5, 48, 49, 50, 51	TTV678 BUILT AFTER 12/01/09	1
	310043	PCB REPLACEMENT KIT (MK2)	TTV678 BUILT AFTER 12/01/09	1
	310042	PCB REPLACEMENT KIT (MK1)	TTV678 BUILT BEFORE 12/01/09	1
19	907130	TTV678 CONTROL PANEL (NEW KEY) PAINTED GREY C/W CLINCH NUTS		1
	429116	KEY & E STOP PANEL (PAINTED SILVER GREY)	TTV678 BUILT BEFORE 12/01/02 ISSUE A07	1
20	208048	RIDE ON DISPLAY PANEL MEMBRANE (PEDAL VERSION)	TTV678	1
21	208833	KEY & E-STOP OVERLAY (CHARGER LEDS)	TTV678/300T ON-BOARD CHARGER	1
	208128	KEY & E-STOP OVERLAY STICKER	TTV678/400T, TTV678 CHARGERLESS	1
22	206933	PADDLE SWITCH		2
23	321449	HORN SWITCH & SOLDERED LEAD ASSEMBLY	TTV678	1
24	206901	EMERGENCY STOP (A01MXB) 24MM DIAMETER BUTTON		2
25	208095	SWITCH BLOCK (SINGLE POLE / 2 POSITION) (A0151B)	TTV678	1
26	220552	RED ROCKER SWITCH (WHITE PRINT)	TTV678. BLUE VERSION 220843	1
27	404050	LEVER SWITCH PLATE PAINTED BLACK		1
28	329831	LEVER SWITCH PLATE 2		1
29	219575	M5 X 25MM LONG POZI PAN STAINLESS STEEL SCREW		2
30	219571	M5 X 20MM LONG POZI PAN STAINLESS STEEL SCREW		1
31	229483	SNAP ACTION SWITCH		1
32	303790	LEVER PIVOT/SELECTOR PLATE WELDED ASSEMBLY		1
33	329912	STEERING COLUMN COVER		1
34	206959	LIFTING CABLE ASSEMBLY	INCLUDES ITEMS: 36,37,38,39,42	1
35	208154	INNER CABLE		1
36	208157	CABLE U BRACKET		1
37	208158	CABLE U BRACKET PIN		1
38	208156	CABLE NIPL		1
41	208155	COTTER PIN		1
42	219592	COMPRESSION SPRING		1
43	303789	LEVER PLATE WELD ASSEMBLY		1
44	903870	LEVER HANDLE MOULDING RED	BLACK VERSION 206991	1
45	226093	EXTENSION SPRING		1
46	208451	RED INSULATED BOOTLACE FERRULE -18MM PIN	1 PER REQUIRED WHEN ORDERING ITEM 35	1
47	304274	METAL PCB SUPPORT PLATE PAINTED GREY C/W SELF CLINCH NUTS	TTV678	1
48	392151	PLASTIC PCB SUPPORT PLATE	TTV678	1
49	208518	USB CONTROL PANEL/PCB (MK3)	TTV678	1
50	905565	M2 X 6MM LONG POZI PAN SCREW ST/ST		12
51	304478	TRO CONTROL PANEL BACK PLATE PAINTED GREY C/W CLINCH NUTS	TRO650	1
52	208795	TRO DISPLAY PANEL MEMBRANE	TRO650	1
53	392044	DISPLAY PCB PLASTIC SPACER PLATE	TRO650	1
54	208791	TRO650 LCD DISPLAY WITHOUT DETERGENT		1
55	907131	TRO CONTROL PANEL (NEW KEY) PAINTED GREY C/W CLINCH NUTS	TRO650	1
56	208794	TRO KEY & EMERGENCY STOP OVERLAY	TRO650 ON-BOARD CHARGER	1
	208814	TRO KEY & EMERGENCY STOP OVERLAY NON CHARGER VERSION	TRO650 CHARGERLESS	1
57	270316	POTENTIOMETER TYPE Pø30 22k OHMS 20% 3W (WITH PANEL SEAL) (ROUND SHAFT WITH FLAT / NO SLOT IN SHAFT END)	TRO650	1
58	903498	SPEED ADJUSTMENT KNOB C/W INSERT (RED)	TRO650. GREY VERSION 329363	1
59	219744	M4 X 6MM LONG BLACKODISED GRUB SCREW	TRO650	2
60	270291	GREEN LED INDICATOR 2V C/W 2.2K RESISTOR	TRO650	1
61	229454	HANDLE SWITCH	TRO650	1
62	208458	SWITCH BLOCK (DOUBLE POLE / 2 POSITION) (A0152B)	TRO650	1
63	392360	TRO CHARGER PCB SPACER	TTV678/300T, TRO650 ON-BOARD CHARGER	2
64	208805	LED CHARGER DISPLAY PCB	TTV678/300T, TRO650 ON-BOARD CHARGER	2
65	901152	TTV678 BADGE	TTV678	1
	901153	TRO650 BADGE	TRO650	1
	901154	TTB3226 BADGE (NACE)	TTB3226	1
66	219898	M8 SINGLE COIL STAINLESS STEEL WASHER		4
67	291123	M8 X 75 LONG HEX HEAD BOLT STAINLESS STEEL		2
68	291112	M8 X 40 LONG HEX BOLT STAINLESS STEEL		2
69	219853	M6 NYLOC HALF NUT (STAINLESS STEEL)		1
70	219642	M6 STAINLESS STEEL NYLON INSERT NUT		1
71	291035	M5 NYLON INSERT NUT (STAINLESS STEEL)		3
72	907149	KEY SWITCH SELECTOR (020SCA1)	907208 SPARE KEYS	2
73	907151	TERMINAL BLOCK N.O. (020E10)		3
74	907150	FIXING ADAPTER (020G)		2

Numatic International Spare Parts

Model No: TTV678 & TRO650 STEERING COLUMN ASSEMBLY
EXPLODED DRAWING

Internal Code: 905587
DRAWING: DRW-24947 ISS:A13
21/03/2018

NB: FOR WIRING SEE DRAWING: WD-0359, DRW-15631, DRW-13416, DRW-14741



Numatic International Spare Parts

Model No: TTV678 & TRO650 STEERING COLUMN ASSEMBLY
EXPLODED DRAWING

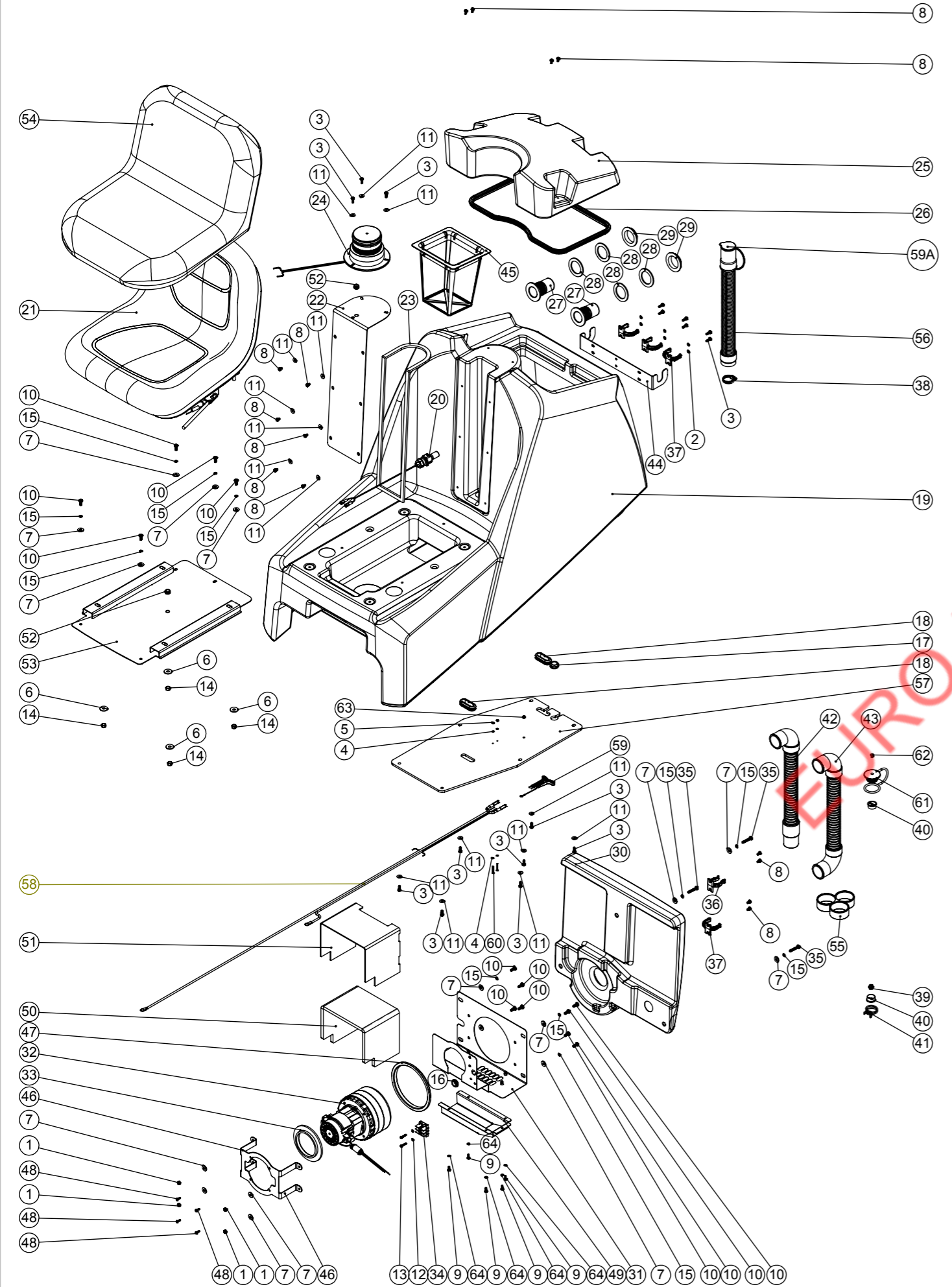
ITEM	PART NO.	DESCRIPTION	COMMENTS	QTY.
1	219910	M10 X 25MM LONG SOCKET BUTTON HEAD STAINLESS STEEL SCREW		2
2	219897	M10 STAINLESS STEEL NYLON INSERT NUT		2
3	291132	M5 X 16MM LONG STAINLESS STEEL POZI PAN SEMS SCREW		11
4	291154	M3 NYLON INSERT NUT STAINLESS STEEL		6
5	219903	M10 FORM A STAINLESS STEEL WASHER		4
6	219647	M6 FORM G STAINLESS STEEL WASHER		2
7	219661	M5 X 35MM LONG POZI PAN STAINLESS STEEL SCREW	TTV678	2
8	404046	STEERING COLUMN WELDED ASSEMBLY (MANUAL VERSION) (PAINTED SILVER GREY)		1
9	329863	RIDE-ON BRUSH PRESSURE ADJUSTMENT BRACKET		1
10	329888	STEERING COLUMN SPLASH GAURD		1
11	208169	PG CONTROLLER (Trio+HD 100) (MK2)	TTV678	1
12	221095	TERMINAL BLOCK (4 POLE X 6 WAY/TERMINALS)	TRO650 - ONE BLOCK ONLY	2
13	230102	FUSE HOLDER RATED AT 60 AMPS	TTV678	1
14	206788	TERMINAL BLOCK	TRO650	1
15	208110	IGUS (R) 2 BOLT PLAIN BEARING 20MM I/D		1
16	321407	HORN & LEAD ASSEMBLY		1
17	208178	HOURS METER	TTV678	1
	392355	TRO HOURS METER BLANKING PLATE	TRO650	1
18	303819	RIDE-ON BRUSH PRESSURE ADJUSTMENT SLIDE		1
19	208021	19MM (3/4 INCH) SNAP BUSHING		1
20	303817	BRUSH PRESSURE ADJUSTMENT TUBE WELD ASSEMBLY		1
21	219969	M10 X 1.5MM X 190MM LONG S/S THREADED BAR		1
22	903281	M10 LOBE KNOB (RED)	BLACK VERSION 208354	1
23	206936	UNIVERSAL JOINT		1
24	206940	STEERING SHAFT		1
25	206960	WHEEL HUB (TO SUIT 300MM STEERING WHEEL)		1
26	206961	300MM STEERING WHEEL C/W CENTRE CAP		1
27	208104	STEERING WHEEL KNOB		1
28	391195	PEDAL LATCH RELEASE ROD		1
29	329850	RELEASE HANDLE		1
30	904191	50MM LONG DIP MOULDED HANDLE COVER (RED)	BLACK VERSION 391226	1
31	208016	MANUAL BRUSH DECK ADJUSTMENT SPRING		1
32	291162	M20 FORM B STAINLESS STEEL WASHER		1
33	208029	GROMMET (32MM I/D)		8
34	219558	M5 STAINLESS STEEL NUTSERT		27
35	219646	M6 X 16MM LONG POZI PAN STAINLESS STEEL SCREW		3
36	219976	M6 X 20MM LONG HEXANGONAL HEAD SET SCREW		3
37	219560	M6 FORM B STAINLESS STEEL WASHER		7
38	219549	M6 SINGLE COIL WASHER		3
39	208030	COTTER PIN (2.4MM X 38.1MM)		2
40	219784	M5 X 8MM LONG BLACKODISED GRUB SCREW		6
41	219983	M6 NYLOC STAINLESS STEEL FULL NUT		5
42	219964	NYLON WASHER (18MM O/D X 10.4MM I/D X 3MM THICK)		1
43	219951	A4 (STAINLESS STEEL) M10 HEX LOCK NUT (HALF NUT)		2
44	219644	M5 FORM G STAINLESS STEEL WASHER		4
45	221091	20 AMP MAXI FUSE	TTV678	1
46	219913	M4 X 30MM LONG POZI PAN STAINLESS STEEL SCREW	TRO650	2
47	219687	M4 STAINLESS STEEL NYLON INSERT NUT		6
48	902534	M3 X 10MM LONG POZI PAN SCREW STAINLESS STEEL	TRO650	4
49	330179	PROGRAMMED 70A MOTOR CONTROLLER (TRO650)	TRO650	1
50	219688	M4 FORM A STAINLESS STEEL WASHER		6
51	219686	M4 X 20MM LONG STAINLESS STEEL POZI PAN MACHINE SCREW		4
52	219016	M5 SHAKEPROOF WASHER		3
53	902896	M5 X 8 A2 S/ST PZ PAN HD M/SCREW DIN7985-Z		2
54	219578	M8 FORM A STAINLESS STEEL WASHER		8
55	291064	M8 X 22MM LONG SOCKET BOLT STAINLESS STEEL		4
56	219639	M8 STAINLESS STEEL NYLON INSERT NUT		5
57	391199	54MM LONG X 10MM DIAMETER STAINLESS STEEL TUBE		1
58	291142	M8 X 70MM LG SOCKET BUTTON HEAD SCREW STAINLESS STEEL		1
59	219911	PLASTIC WASHER		2
60	303812	12.7MM DIAMETER X 18G X 5.5MM LONG STAINLESS STEEL TUBE		2
61	291127	M6 X 35 LONG HEX BOLT STAINLESS STEEL		1
62	219915	M6 X 80MM LONG STAINLESS STEEL HEXAGONAL HEAD BOLT		1
63	219500	M3 X 16MM LONG STAINLESS STEEL SLOT SCREW	TTV678	2
	219890	M4 X 12MM LONG POZI PAN STAINLESS STEEL SCREW	TRO650	2
64	219502	M3 STAINLESS STEEL FULL NUT	TTV678	2
	219687	M4 STAINLESS STEEL NYLON INSERT NUT	TRO650	2
65	904962	CABLE CLAMP M8x65 (PP)		1
66	907245	REED SWITCH COLUMN BRACKET		1
67	904501	REED SWITCH ASSEMBLY		1
68	906617	REED SWITCH WASHER PLATE		1
69	291155	M3 X 20MM LONG POZI PAN SCREW STAINLESS STEEL		2
70	219890	M4 X 12MM LONG POZI PAN STAINLESS STEEL SCREW		2
71	291145	M4 SHAKEPROOF WASHER STAINLESS STEEL		2

Numatic International Spare Parts

Model No: TTV678/400 CHARGERLESS TOP TANK / LIGHT / VAC POD & HOSE ASSEMBLY EXPLODED DRAWING

NB: FOR WIRING SEE DRAWING: WD-0359, DRW-15631, DRW-13416, DRW-14741

Internal Code: 905590
DRAWING: DRW-24949 ISS:A11
21/03/2018



Numatic International Spare Parts

Model No: TTV678/400 CHARGERLESS TOP TANK / LIGHT / VAC POD & HOSE ASSEMBLY EXPLODED DRAWING

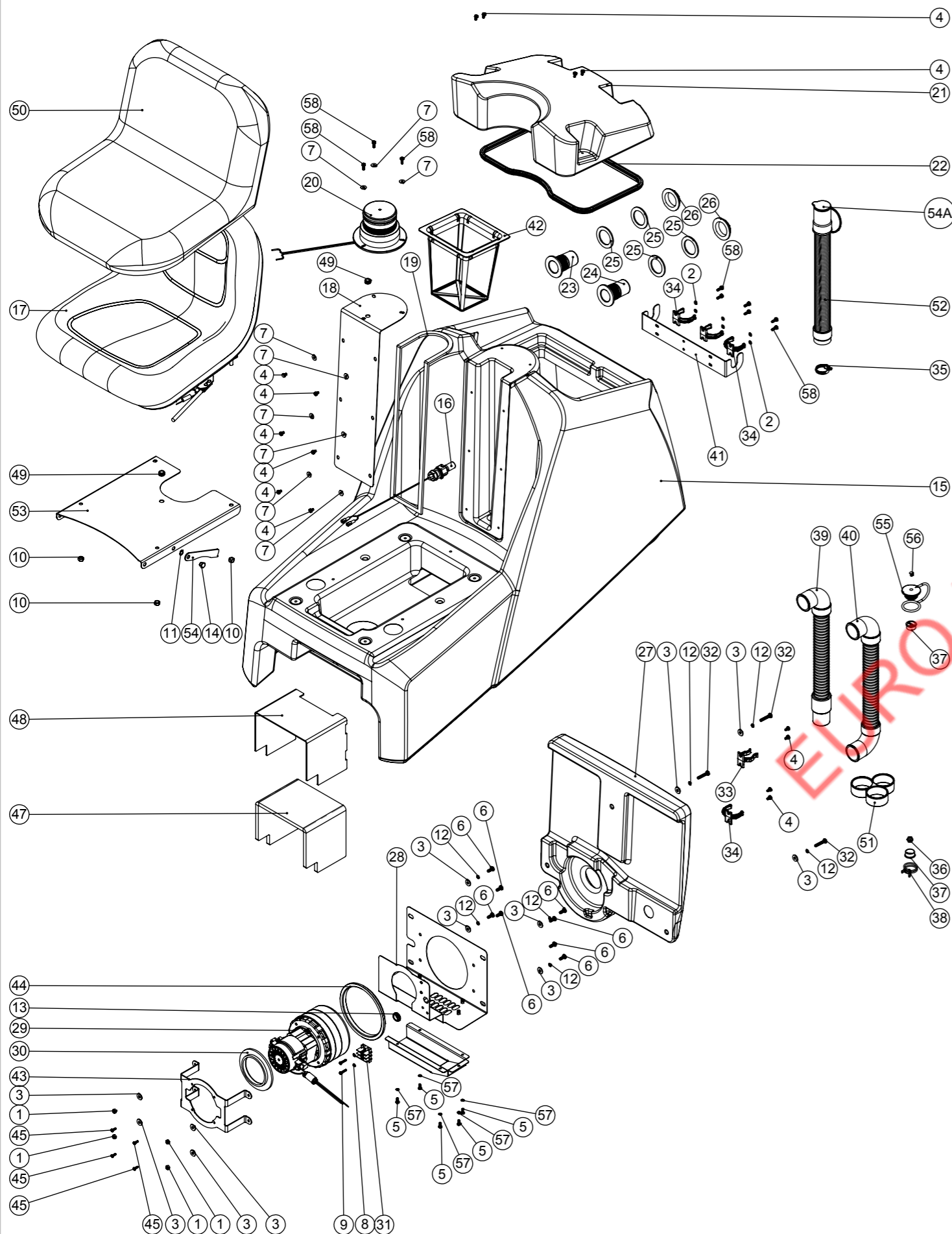
ITEM	PART NO.	DESCRIPTION	COMMENTS	QTY.
1	219642	M6 STAINLESS STEEL NYLON INSERT NUT		4
2	219355	M5 FORM A STAINLESS STEEL WASHER		6
3	291132	M5 X 16MM LONG STAINLESS STEEL POZI PAN SEMS SCREW		16
4	219501	M3 FORM A STAINLESS STEEL WASHER		4
5	291154	M3 NYLON INSERT NUT STAINLESS STEEL		2
6	219716	M8 FORM G STAINLESS STEEL WASHER		4
7	219647	M6 FORM G STAINLESS STEEL WASHER		16
8	291135	M5 X 10MM LONG STAINLESS STEEL POZI PAN SEMS SCREW		14
9	219740	M5 X 12MM LONG STAINLESS STEEL POZI PAN SCREW		5
10	219646	M6 X 16MM LONG POZI PAN STAINLESS STEEL SCREW		13
11	219644	M5 FORM G STAINLESS STEEL WASHER		16
12	219688	M4 FORM A STAINLESS STEEL WASHER		2
13	219686	M4 X 20MM LONG STAINLESS STEEL POZI PAN MACHINE SCREW		2
14	219639	M8 STAINLESS STEEL NYLON INSERT NUT		4
15	291060	WASHER M6 SHAKEPROOF STAINLESS STEEL		12
16	219631	19MM GROMMET		1
17	208143	20MM GROMMET X 6MM PANEL THICKNESS		1
18	208144	38MM GROMMET X 6MM PANEL THICKNESS		2
19	237337	TTV TOP TANK MOULDING (GRAPHITE)	BLUE VERSION 229837	1
20	206944	FLOAT SWITCH		1
21	206934	MILSCO MID BACK SEAT		1
	208163	OPERATOR PRESANCE SWITCH	NOT SHOWN SEPARATELY	1
22	303824	VARIO LIGHT BRACKET NUTSERTED ASSEMBLY		1
23	212997	6MM X 12MM X 12METERS ROLL INSEAL		1
24	321413	CURTIS MULTIVOTAGE XENON BEACON & LEAD ASSEMBLY		1
	208164	LIGHT AMBER LENS	NOT SHOWN SEPARATELY	1
	208165	LIGHT BULB	NOT SHOWN SEPARATELY	1
	208166	LIGHT MOUNTING RING	NOT SHOWN SEPARATELY	1
25	237336	TTV SEPARATOR MOULDING (GRAPHITE)	BLUE VERSION 229836	1
26	391209	1225MM LONG SEALING STRIP		1
27	237018	38MM DRAIN HOSE CONNECTOR		2
28	219310	RUBBER WASHER		4
29	206116	BLACK NUT		2
30	237021	VARIO 3 STAGE BACK DOOR MOULDING		1
31	303886	NUTSERTED 3 STAGE MOTOR PLATE		1
32	303880	24V PERIPHERAL 3-STAGE VAC MOTOR & TERMINAL ASSEMBLY		1
33	202008	MOTOR CAP GASKET		1
34	220114	2 WAY TERMINAL BLOCK		1
35	219643	M6 X 35MM LONG STAINLESS STEEL POZI PAN SCREW		3
36	901916	28mm HOSE CLIP		1
37	237754	35-38MM HOSE CLIP		4
38	206209	A.B.A HOSE CLIP		1
39	904109	FLOAT MOULDING		1
40	904108	FLOAT STOP MOULDING		2
41	902133	SPRING WIRE CLAMP (YDNAC-Y8010356)		1
42	213059	SUCTION HOSE 1480MM X Ø38MM		1
43	213060	VAC HOSE 1060MM X Ø38MM		1
44	329904	RIDE-ON SQUEEGEE STORAGE BRACKET		1
45	206439	TANK FILTER		1
46	329987	MOTOR BRACKET		1
47	237032	>TPE< 3 STAGE MOTOR GASKET		1
48	219569	No8 X 1/2 INCH LONG POZI PAN STAINLESS STEEL PLASTITE SCREW		4
49	329989	SILENCER BOX		1
50	208274	SILENCER FOAM		1
51	392019	SILENCER SHROUD		1
52	219680	GROMMET		2
53	304460	SEAT PLATE WELD ASSEMBLY PAINT SILVER GREY		1
54	280001	VARIO SEAT COVER		1
55	237718	HOSE GUIDE		1
56	280018	35MM X 435MM LONG 3:1 STRETCH HOSE C/W CAP & STRAP(SHORT CUFF)		1
59A	900903	HOSE CLOSURE REPLACEMENT KIT (35MM-38MM STRETCH HOSE)		1
57	901788	TOP TANK COVER (CHARGERLESS)		1
58	901640	LOOM ASSEMBLY.4CRT		1
59	323177	LOOM ASSEMBLY - 1 CIRCUIT - CHARGER/INHITBT LEAD		1
60	904052	M3 X 25MM LONG POZI PAN SCREW STAINLESS STEEL		2
61	903341	32MM HOSE CAP RED (C/W 8MM HOLE)		1
62	904403	BARBED RIVET BLACK		1
63	291035	M5 NYLON INSERT NUT (STAINLESS STEEL)		1
64	219016	M5 SHAKEPROOF WASHER		6

Numatic International Spare Parts

TTV678/400 TOP TANK / LIGHT / VAC POD & HOSE
Model No: ASSEMBLY EXPLODED DRAWING

Internal Code: 905589
 DRAWING: DRW-24951 ISS:A11
 21/03/2018

NB: FOR WIRING SEE DRAWING: WD-0359, DRW-15631, DRW-13416, DRW-14741



Numatic International Spare Parts

TTV678/400 TOP TANK / LIGHT / VAC POD & HOSE ASSEMBLY
Model No: EXPLODED DRAWING

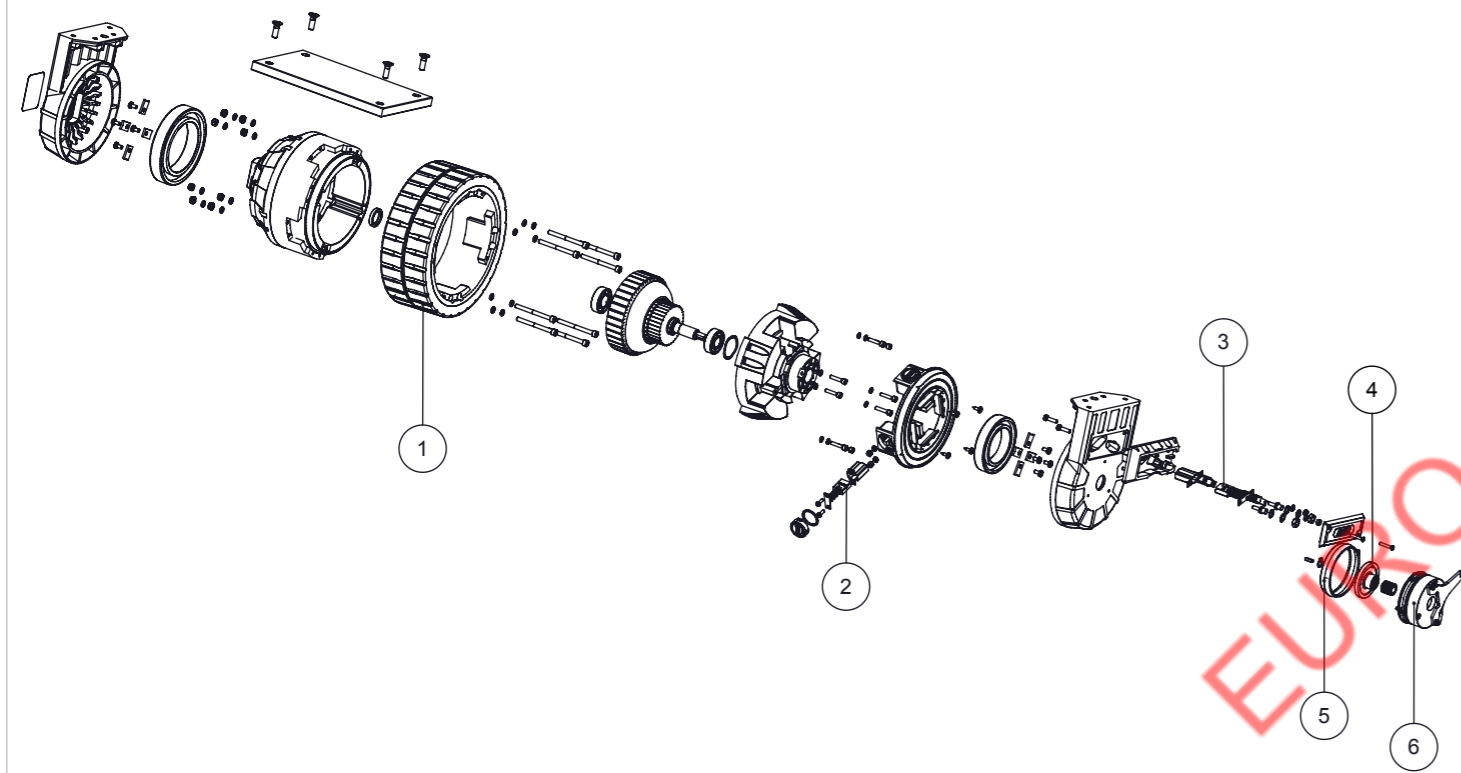
ITEM	PART NO.	DESCRIPTION	COMMENTS	QTY.
1	219642	M6 STAINLESS STEEL NYLON INSERT NUT		4
2	219355	M5 FORM A STAINLESS STEEL WASHER		6
3	219647	M6 FORM G STAINLESS STEEL WASHER		11
4	291135	M5 X 10MM LONG STAINLESS STEEL POZI PAN SEMS SCREW		14
5	219740	M5 X 12MM LONG STAINLESS STEEL POZI PAN SCREW		5
6	219646	M6 X 16MM LONG POZI PAN STAINLESS STEEL SCREW		8
7	219644	M5 FORM G STAINLESS STEEL WASHER		9
8	219688	M4 FORM A STAINLESS STEEL WASHER		2
9	219686	M4 X 20MM LONG STAINLESS STEEL POZI PAN MACHINE SCREW		2
10	219639	M8 STAINLESS STEEL NYLON INSERT NUT		4
11	905550	10MM EXTERNAL CIRCLIP ST/ST		1
12	291060	WASHER M6 SHAKEPROOF STAINLESS STEEL		7
13	219631	19MM GROMMET		1
14	206647	PIVOT BUSH		1
15	237337	TTV TOP TANK MOULDING (GRAPHITE)	BLUE VERSION 229837	1
16	206944	FLOAT SWITCH		1
17	206934	MILSCO MID BACK SEAT		1
	208163	OPERATOR PRESENCE SEAT SWITCH	NOT SHOWN SEPARATELY	1
18	303824	VARIO LIGHT BRACKET NUTSERTEED ASSEMBLY		1
19	212997	6MM X 12MM X 12METERS ROLL INSEAL		1
20	321413	CURTIS MULTIVOTAGE XENON BEACON & LEAD ASSEMBLY		1
	208164	LIGHT AMBER LENS	NOT SHOWN SEPARATELY	1
	208165	LIGHT BULB	NOT SHOWN SEPARATELY	1
	208166	LIGHT MOUNTING RING	NOT SHOWN SEPARATELY	1
21	237336	TTV SEPARATOR MOULDING (GRAPHITE)	BLUE VERSION 229836	1
22	391209	1225MM LONG SEALING STRIP		1
23	237526	38MM RED DRAIN HOSE CONNECTOR		1
24	237018	38MM DRAIN HOSE CONNECTOR		1
25	219310	RUBBER WASHER		4
26	206116	BLACK NUT		2
27	237021	VARIO 3 STAGE BACK DOOR MOULDING		1
28	303886	NUTSERTEED 3 STAGE MOTOR PLATE		1
29	303880	24V PERIPHERAL 3-STAGE VAC MOTOR & TERMINAL ASSEMBLY		1
30	202008	MOTOR CAP GASKET		1
31	220114	2 WAY TERMINAL BLOCK		1
32	219643	M6 X 35MM LONG STAINLESS STEEL POZI PAN SCREW		3
33	901916	28mm HOSE CLIP		1
34	237754	35-38MM HOSE CLIP		4
35	206209	A.B.A HOSE CLIP		1
36	904109	FLOAT MOULDING		1
37	904108	FLOAT STOP MOULDING		2
38	902133	SPRING WIRE CLAMP (YDNAC-Y8010356)		1
39	219059	SUCTION HOSE 1480MM X Ø38MM		1
40	213060	VAC HOSE 1060MM X Ø38MM		1
41	329904	RIDE-ON SQUEEGEE STORAGE BRACKET		1
42	206439	TANK FILTER		1
43	329987	MOTOR BRACKET		1
44	237032	>TPE< 3 STAGE MOTOR GASKET		1
45	219569	No8 X 1/2 INCH LONG POZI PAN STAINLESS STEEL PLASTITE SCREW		4
46	329989	SILENCER BOX		1
47	208274	SILENCER FOAM		1
48	392019	SILENCER SHROUD		1
49	219680	GROMMET		2
50	280001	VARIO SEAT COVER		1
51	237718	HOSE GUIDE		1
52	280018	35MM X 435MM LONG 3:1 STRETCH HOSE C/W CAP & STRAP(SHORT CUFF)		1
54A	900903	HOSE CLOSURE REPLACEMENT KIT (35MM-38MM STRETCH HOSE)		1
53	329846	SEAT PLATE		1
54	329894	SEAT PLATE LATCH		1
55	903341	32MM HOSE CAP RED (C/W 8MM HOLE)		1
56	904403	BARBED RIVET BLACK		1
57	219016	M5 SHAKEPROOF WASHER		6
58	291132	M5 X 16MM LONG STAINLESS STEEL POZI PAN SEMS SCREW		9

Numatic International Spare Parts

Model No: TTV678 & TRO650 Motor Wheel & Brake Assembly

234604
DRAWING: EXP-1032 ISS:A03
28/03/2014

NB: FOR WIRING SEE DRAWING: WD-0359, DRW-15631, DRW-13416, DRW-14741



Numatic International Spare Parts

Model No: TTV678 & TRO650 Motor Wheel & Brake Assembly

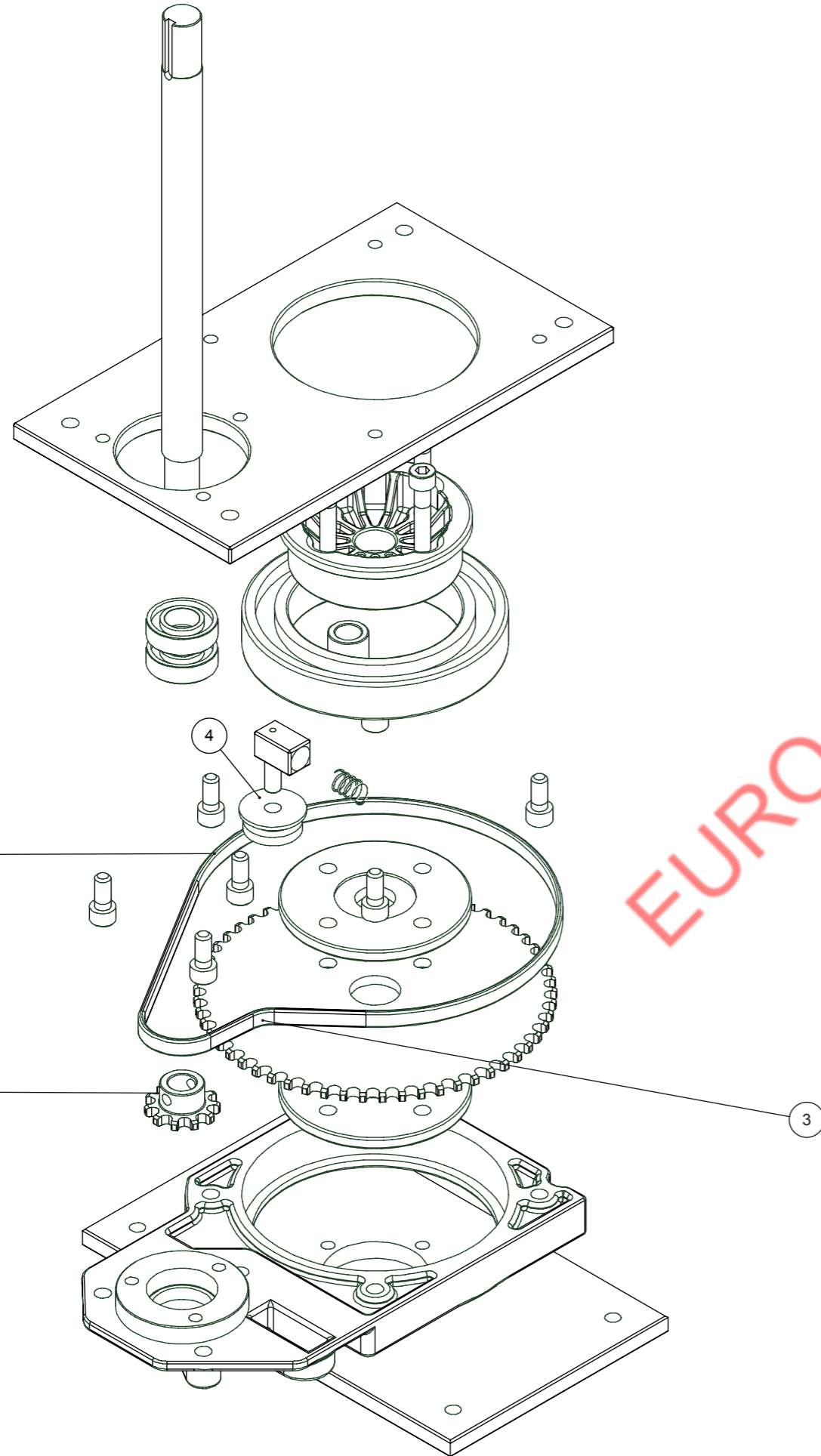
POS:	ITEM NO:	DESCRIPTION:	COMMENTS:
1	208145	WHEEL	
2	208146	ARMATURE BRUSH	
3	208147	MOTOR BRUSH	
4	208148	FRICTION DISC	
5	208149	RUBBER GASKET	
6	321506	MODIFIED ELECTRONICALLY RELEASED BRAKE C/W PINION & SCREWS	

Numatic International Spare Parts

Model No: TTV678 & TRO650 MOTOR WHEEL GEARBOX ASSEMBLY

Internal Code: 234605
PRO DRAWING: EXP-1033 ISS:A05

NB: FOR WIRING SEE DRAWING: WD-0359, DRW- 15631, DRW-13416, DRW-14741



Numatic International Spare Parts

Model No: TTV678 & TRO650 MOTOR WHEEL GEARBOX ASSEMBLY EXPLODED DRAWING (EXP-1033)

POS:	ITEM NO:	DESCRIPTION:	COMMENTS:
1	208151	PINION	
2	208152	STEERING CHAIN	
3	208153	STEERING CHAIN MASTER LINK	
4	901617	WHEEL TENSIONER	AVAILABLE SEPERATELY