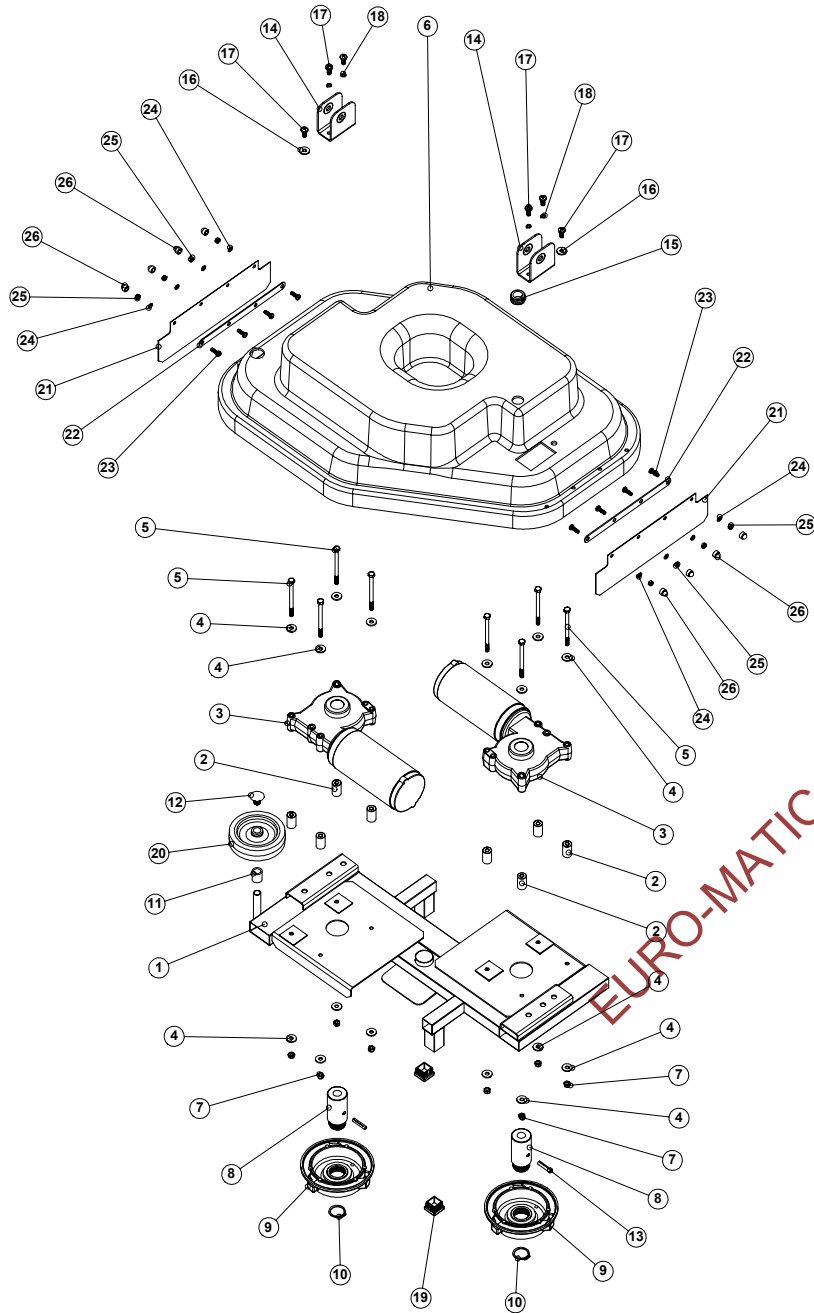


**Numatic International Spare Parts**  
**Model No:TTB665 MK2 Base Assembly**

231913  
 DRAWING: EXP400 ISS:02  
 10/11/98



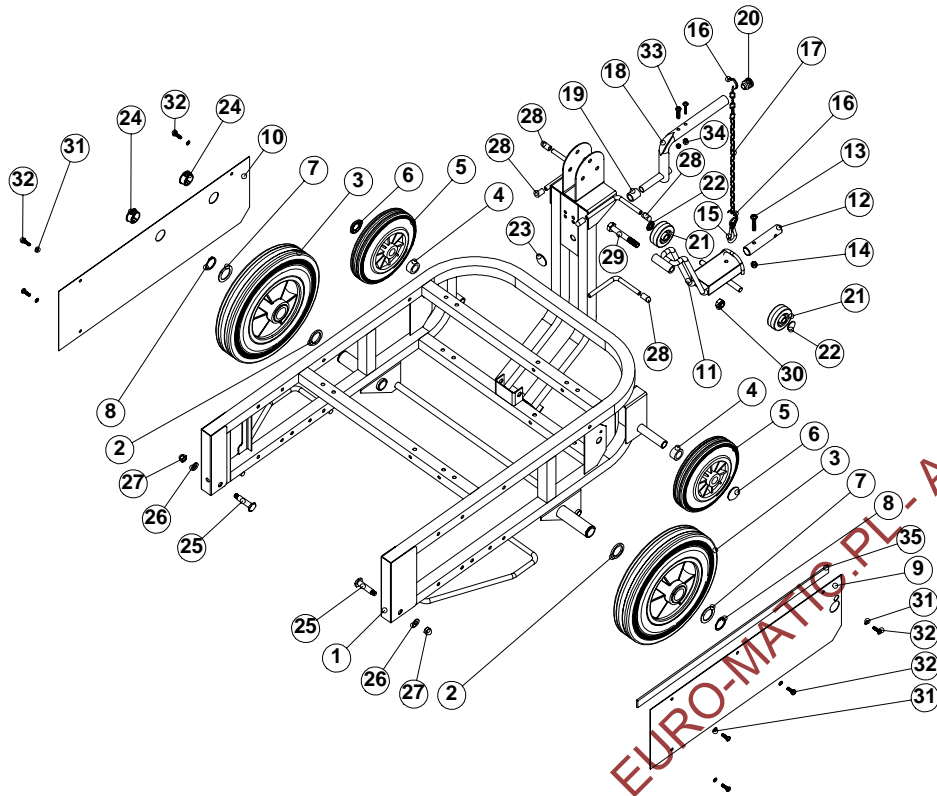
**Numatic International Spare Parts**  
**Model No:TTB665 MK2 Base Assembly**

POS:	PART NO:	DESCRIPTION:	COMMENTS:
1	329628	WELDED BASE FRAME	
2	229284	MOTOR MOUNTING	
3	320447	MOTOR	
4	219008	M6 FORM G WASHER	
5	219550	M5 X 85MM LONG BOLT	
6	229353	BASE MOULDING	MK2
7	219642	M6 NYLOC NUT	
8	229201	DRIVE SHAFT	
9	230207	CHUCK	
10	230048	26MM EXTERNAL CIRCLIP	
11	229288	NYLON SPACER	
12	219638	FIR TREE BUTTON	
13	219523	GROOVED PIN	
14	403210	PIVOT BRACKET	
15	219637	20.6MM DIAMETER GROMMET	
16	219647	M6 FORM G STAINLESS STEEL WASHER	
17	219646	M5 X 15MM LONG POZI PAN SCREW	
18	219549	M6 SINGLE COIL SPRING WASHER	
19	20662V	1" SQUARE BLACK TUBE END STOP	
20	329112	100MM DIAMETER WHEEL	
21	229354	SPLASH SKIRT	
22	329136	FIXING BRACKET	
23	219547	M6 X 16MM LONG POZI PAN MACHINE SCREW	
24	219355	M5 FORM G STAINLESS STEEL WASHER	
25	219633	M5 NYLOC NUT	
26	219460	M5 HEX NUT CAP	

EURO-MATIC.PL - Autoryzowany Sklep z Miernikami

**Numatic International Spare Parts**  
**Model No:TTB665 CHASSIS ASSEMBLY**

231912  
 DRAWING: EXP399 ISS:01  
 30/10/98

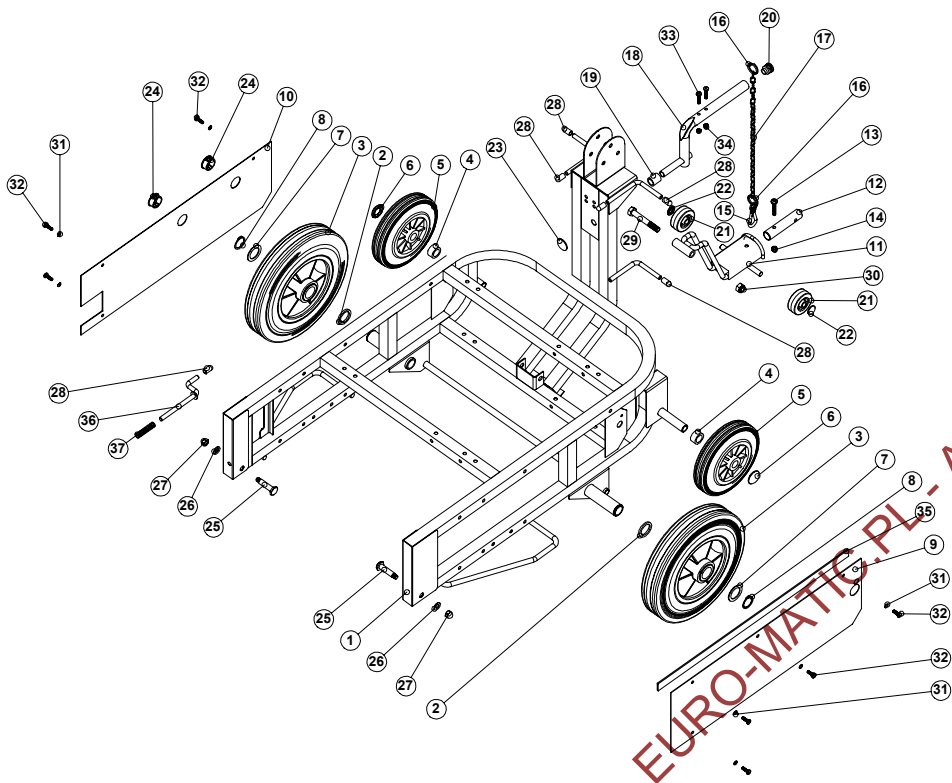


**Numatic International Spare Parts**  
**Model No:TTB665 CHASSIS ASSEMBLY**

POS:	PART NO:	DESCRIPTION:	COMMENTS:
1	329996	NUTSERTED CHASSIS ASSEMBLY	
2	219628	PLASTIC WASHER	
3	229265	250MM WHEEL	
4	219545	WHITE SPACER	
5	229049	160MM WHEEL	
6	229266	16MM CAP	
7	219629	PLASTIC WASHER	
8	219627	25MM EXTERNAL CIRCLIP	
9	429030	LEFTHAND SIDE PLATE	
10	429031	RIGHTHAND SIDE PLATE	
11	329632	FLOOR TOOL WELDED CONNECTOR ASSEMBLY	
12	329664	PIVOT BOSS	
13	219643	M6 X 35MM LONG POZI SCREW	
14	219642	M6 NYLOC NUT	
15	229292	50MM SWIVEL HOOK	
16	229293	1" SPLIT RING	
17	229289	540MM LONG CHAIN	
18	329675	FLOOR TOOL LIFT HANDLE WELDED ASSEMBLY	
19	229288	NYLON SPACER	
20	20638V	TUBE END STOP	
21	215006	50MM WHEEL	
22	229290	3/8" STAINLESS CAP	
23	204021	12.7MM HUB CAP	
24	206314	PLASTIC WINDOW	
25	206236	PIVOT PIN	
26	219070	M8 WASHER	
27	219077	M8 DOMENUT	
28	229240	END TIP	
29	249570	M10 X 70MM LONG BOLT	
30	219649	M10 NYLOC NUT	
31	219016	M5 SHAKEPROOF WASHER	
32	219547	M5 X 16MM LONG POZI PAN SCREW	
33	219575	M5 X 25MM LONG POZI DRIVE SCREW	
34	219633	M5 NYLOC NUT	
35	212024	INSEAL	530MM LONG

**Numatic International Spare Parts**  
**Model No:TTB665 Chassis Assembly**

231912  
 DRAWING: EXP399 ISS:A02  
 09/09/99

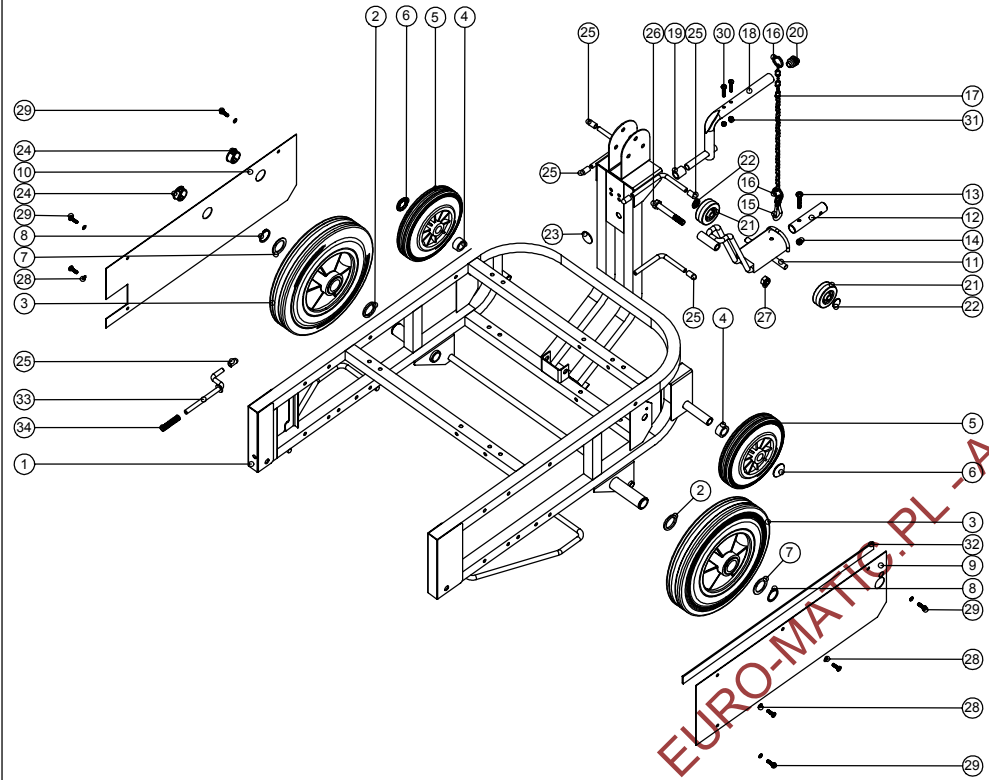


**Numatic International Spare Parts**  
**Model No:TTB665 Chassis Assembly**

POS:	PART NO:	DESCRIPTION:	COMMENTS:
1	329994	NUTSERVED CHASSIS ASSEMBLY	
2	219628	PLASTIC WASHER	
3	229265	250MM DIAMETER WHEEL	
4	219545	WHITE SPACER	
5	229049	160MM DIAMETER WHEEL	
6	229266	16MM CAP	
7	219629	PLASTIC WASHER	
8	219627	25MM EXTERNAL CIRCILP	
9	329030	LEFTHAND SIDEPLATE	
10	429059	RIGHTHAND SIDE PLATE	
11	329632	FLOOR TOOL WELDED CONNECTOR ASSEMBLY	
12	329664	PIVOT BOSS	
13	219643	M6 X 35MM LONG POZI PAN SCREW	
14	219642	M6 NYLOC NUT	
15	229292	50MM SWIVEL HOOK	
16	229293	1" SPLIT RING	
17	229289	540MM LONG CHAIN	
18	329675	FLOOR TOOL LIFT HANDLE WELDED ASSEMBLY	
19	229288	NYLON SPACER	
20	20638V	TUBE END STOP	
21	215006	50MM DIAMETER WHEEL	
22	229290	3/8" STAINLESS CAP	
23	204021	12.7MM HUB CAP	
24	206314	PLASTIC WINDOW	
25	206236	PIVOT PIN	
26	219016	M8 FORM A WASHER	
27	219077	M8 DOMENUT	
28	229240	END TIP	
29	219570	M10 X 70MM LONG BOLT	
30	219649	M10 NYLON INSERT NUT	
31	219016	M5 SHAKEPROOF WASHER	
32	219547	M5 X 16MM LONG POZI PAN SCREW	
33	219575	M5 X 25MM LONG POZI DRIVE SCREW	
34	219633	M5 NYLON INSERT NUT	
35	212024	530MM LONG INSEAL STRIP	
36	303406	LATCHING ROD WELDED ASSEMBLY	
37	219576	STAINLESS STEEL COMPRESSION SPRING	

**Numatic International Spare Parts**  
**Model No:TTB665 Chassis Assembly**

231912  
 DRAWING: EXP399 ISS:A03  
 23/09/99

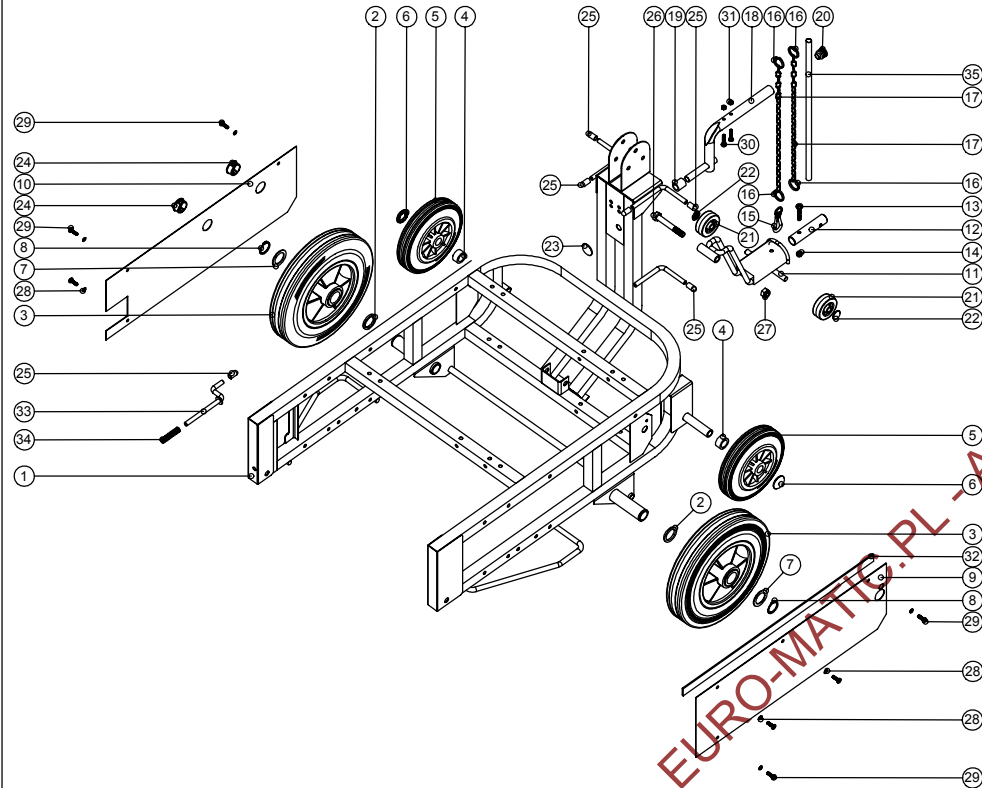


**Numatic International Spare Parts**  
**Model No:TTB665 Chassis Assembly**

POS.	PART NO.	DESCRIPTION:	COMMENTS:
1	329994	NUTSERTED CHASSIS ASSEMBLY	
2	219628	PLASTIC WASHER	
3	229265	250MM DIAMETER WHEEL	
4	219545	WHITE SPACER	
5	229049	160MM DIAMETER WHEEL	
6	229266	16MM CAP	
7	219629	PLASTIC WASHER	
8	219627	25MM EXTERNAL CIRCILP	
9	329030	LEFTHAND SIDEPLATE	
10	429059	RIGHTHAND SIDE PLATE	
11	329632	FLOOR TOOL WELDED CONNECTOR ASSEMBLY	
12	329664	PIVOT BOSS	
13	219643	M6 X 35MM LONG POZI PAN SCREW	
14	219642	M6 NYLOC NUT	
15	229292	50MM SWIVEL HOOK	
16	229293	1" SPLIT RING	
17	229289	540MM LONG CHAIN	
18	329675	FLOOR TOOL LIFT HANDLE WELDED ASSEMBLY	
19	229288	NYLON SPACER	
20	20638V	TUBE END STOP	
21	215006	50MM DIAMETER WHEEL	
22	229290	3/8" STAINLESS CAP	
23	204021	12.7MM HUB CAP	
24	206314	PLASTIC WINDOW	
25	229240	END TIP	
26	219570	M10 X 70MM LONG BOLT	
27	219649	M10 NYLON INSERT NUT	
28	219016	M5 SHAKEPROOF WASHER	
29	219517	M5 X 16MM LONG POZI PAN SCREW	
30	219575	M5 X 25MM LONG POZI DRIVE SCREW	
31	219633	M5 NYLON INSERT NUT	
32	212024	530MM LONG INSEAL STRIP	
33	303406	LATCHING ROD WELDED ASSEMBLY	
34	219576	STAINLESS STEEL COMPRESSION SPRING	

**Numatic International Spare Parts**  
**Model No:TTB665 Chassis Assembly**

231912  
 DRAWING: EXP399 ISS:A04  
 11/10/99



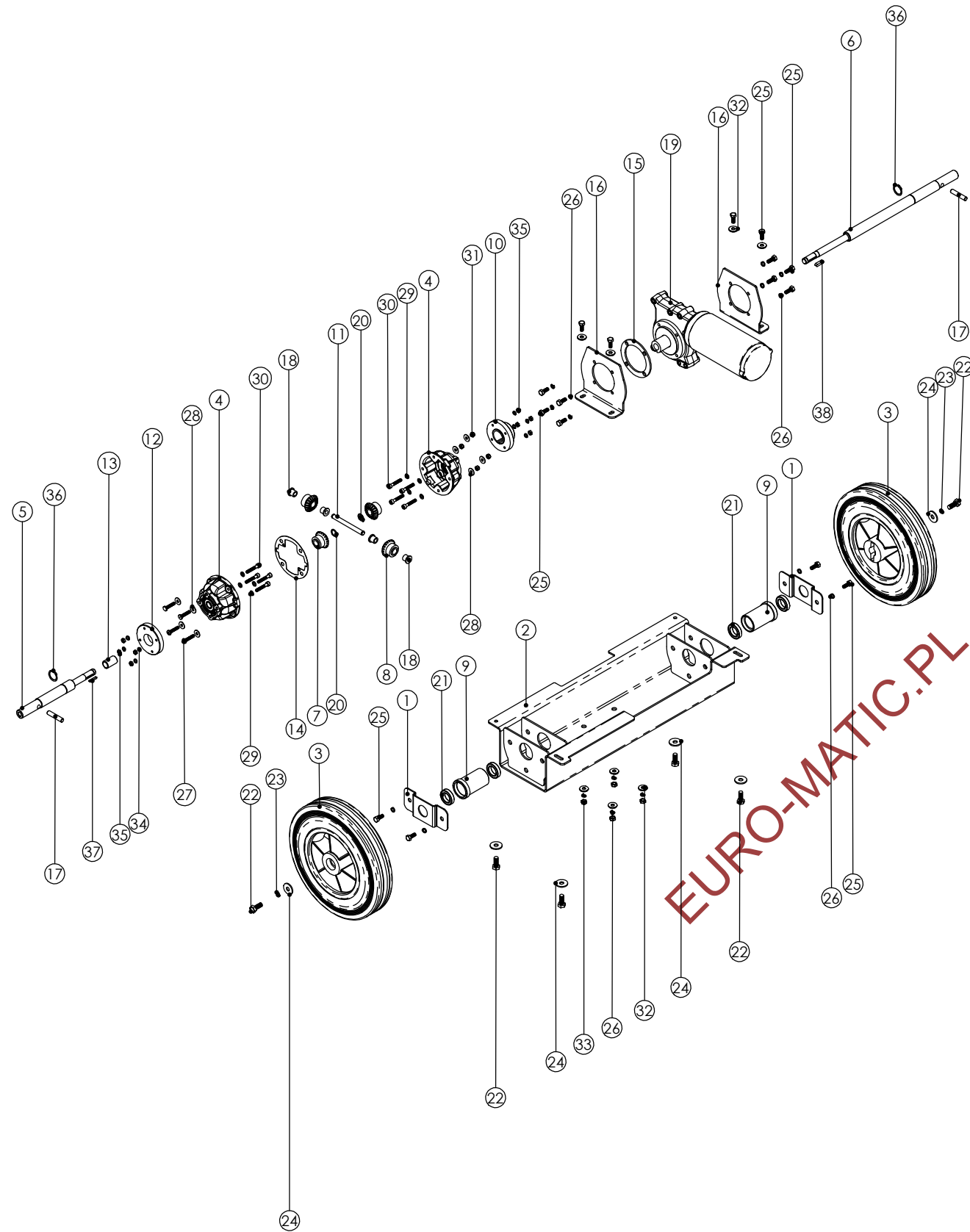
**Numatic International Spare Parts**  
**Model No:TTB665 Chassis Assembly**

POS	PART NO	DESCRIPTION:	COMMENTS:
1	329994	NUTSERTED CHASSIS ASSEMBLY	
2	219628	PLASTIC WASHER	
3	229265	250MM DIAMETER WHEEL	
4	219545	WHITE SPACER	
5	229049	160MM DIAMETER WHEEL	
6	229266	16MM CAP	
7	219629	PLASTIC WASHER	
8	219627	25MM EXTERNAL CIRCILP	
9	329030	LEFTHAND SIDEPLATE	
10	429059	RIGHTHAND SIDE PLATE	
11	329632	FLOOR TOOL WELDED CONNECTOR ASSEMBLY	
12	329664	PIVOT BOSS	
13	219643	M6 X 35MM LONG POZI PAN SCREW	
14	219642	M6 NYLOC NUT	
15	229292	50MM SWIVEL HOOK	
16	229293	1" SPLIT RING	
17	229289	540MM LONG CHAIN	
18	329675	FLOOR TOOL LIFT HANDLE WELDED ASSEMBLY	
19	229288	NYLON SPACER	
20	20638V	TUBE END STOP	
21	215006	50MM DIAMETER WHEEL	
22	229290	3/8" STAINLESS CAP	
23	204021	12.7MM HUB CAP	
24	206314	PLASTIC WINDOW	
25	229240	END TIP	
26	219570	M10 X 70MM LONG BOLT	
27	219649	M10 NYLON INSERT NUT	
28	219016	M5 SHAKEPROOF WASHER	
29	219517	M5 X 16MM LONG POZI PAN SCREW	
30	219575	M5 X 25MM LONG POZI DRIVE SCREW	
31	219633	M5 NYLON INSERT NUT	
32	212024	530MM LONG INSEAL STRIP	
33	303406	LATCHING ROD WELDED ASSEMBLY	
34	219576	STAINLESS STEEL COMPRESSION SPRING	
35	219660	PVC SLEEVING	

**Numatic International Spare Parts**

**Model No: TTB665ST DRIVE ASSEMBLY**

234086  
DRAWING: EXP517 ISS:A01  
25/03/01



**Numatic International Spare Parts**

**Model No: TTB665ST DRIVE ASSEMBLY**

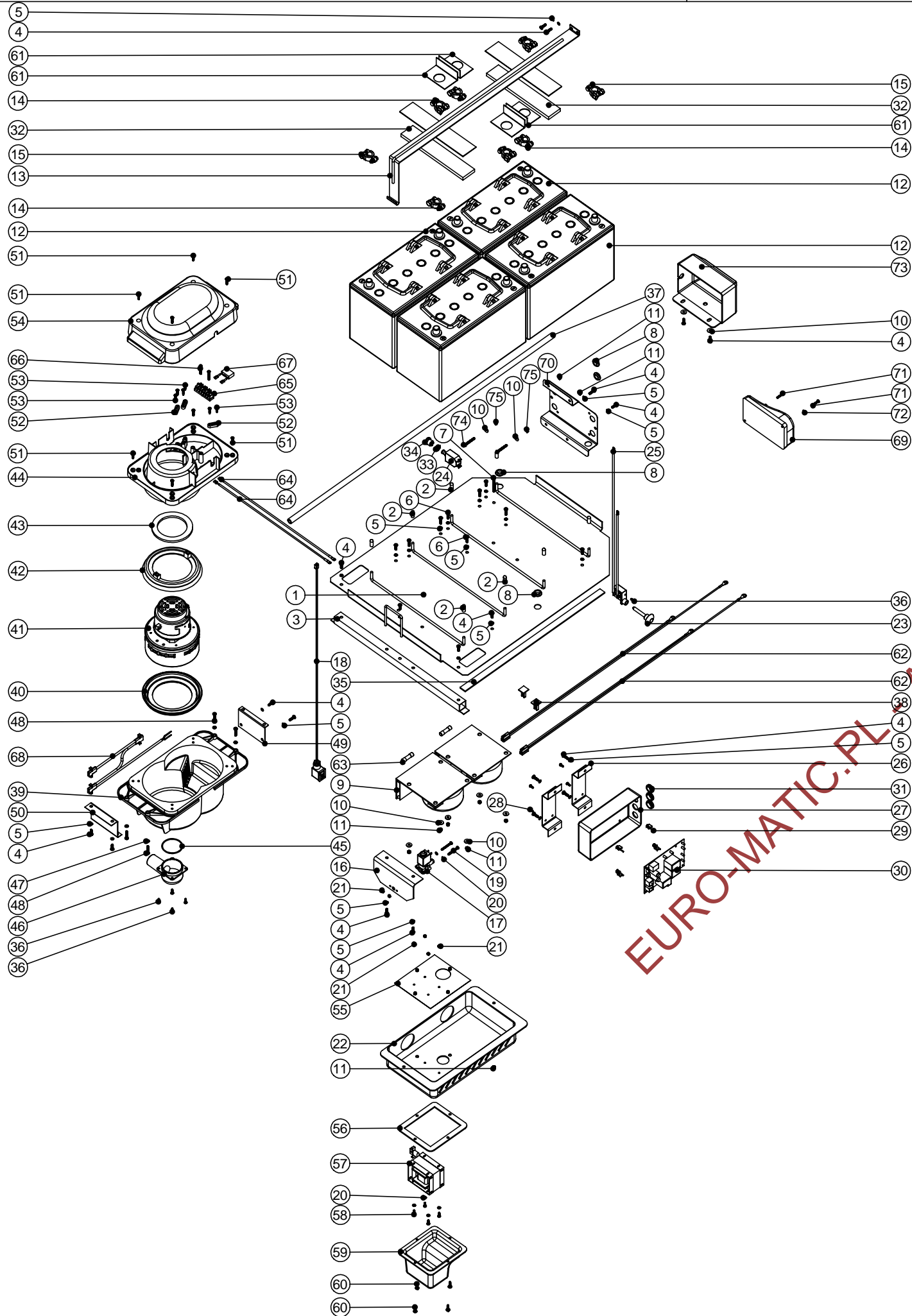
POS:	ITEM NO:	DESCRIPTION:	COMMENTS:
1	329196	BEARING FIXING PLATE	
2	329199	TRANSAXLE ASSEMBLY	
3	204082	250MM WHEEL	
4	215224	DIFFERENTIAL CASE MOULDING - DRIVE END + BEARING	
5	206701	SHORT SHAFT	
6	206702	LONG SHAFT	
7	206502	MITRE GEAR WITH KEYWAY	
8	206503	MITRE GEAR	
9	206703	BEARING BUSH	
10	206704	DRIVE FLANGE	
11	206455	CROSS SHAFT	
12	206706	BEARING RETAINER FLANGE	
13	206707	SHAFT EXTENSION BUSH	
14	202093	GASKET	
15	329194	SPACER WASHER	
16	329201	MOTOR MOUNTING PLATE	
17	390526	8MM DRIVE PIN	
18	206458	FLANGED OILITE BUSH 8.0 BORE X 12MM LONG X 12MM DIAMETER	
19	320585	TRACTION DRIVE MOTOR ASSEMBLY C/W OVERLOAD	
20	219345	12mm EXTERNAL CIRCLIP	
21	206514	OILITE BEARING	
22	219717	M8 X 20MM LONG HEXAGONAL STAINLESS STEEL BOLT	
23	219019	M8 SINGLE COIL SPRING WASHER	
24	219716	M8 FORM G STAINLESS STEEL WASHER	
25	219719	M6 X 35MM LONG HEX HEAD BOLT	
26	219718	M6 STAINLESS STEEL SPRING WASHER	
27	219575	M5 X 25MM LONG POZI DRIVE SCREW	
28	219644	M5 FORM G WASHER	
29	219355	M5 FORM A STAINLESS STEEL WASHER	
30	219726	M5 X 16MM LONG POZI PAN SEMS SCREW	
31	219633	M5 NYLON INSERT NUT	
32	219647	M6 FORM G STAINLESS STEEL WASHER	
33	219499	M6 STAINLESS STEEL FULL NUT	
34	219648	M5 SINGLE COIL WASHER	
35	219721	M5 STAINLESS STEEL FULL NUT	
36	219724	20MM EXTERNAL CIRCLIP	
37	206456	FEATHER KEY ROUNDED ENDS (3x20) KK3-20	
38	206457	5MM X 5MM X 20MM FEATHER KEY	

# Numatic International Spare Parts

## Model No:TTB665ST Electrical Assembly

234097

DRAWING: EXP528 ISS:A01  
30/05/2001



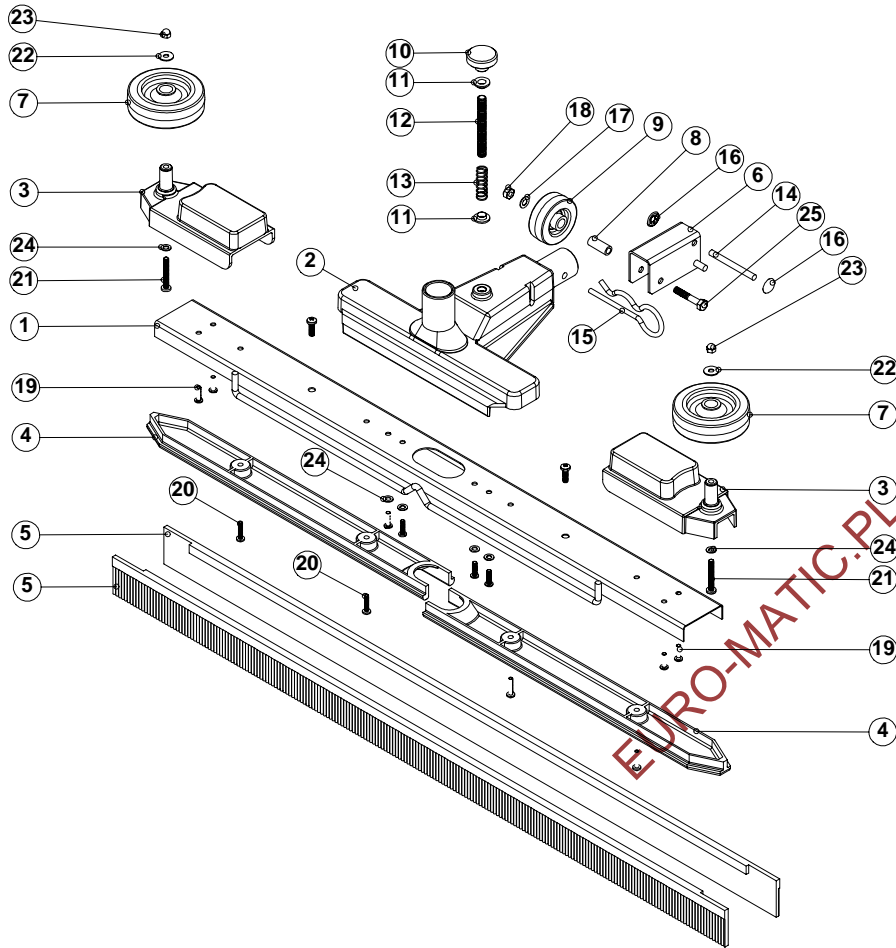
# Numatic International Spare Parts

## Model No:TTB665ST Electrical Assembly

POS:	ITEM NO:	DESCRIPTION:	COMMENTS:
1	429038	BATTERY TRAY	
2	229006	END TIP	
3	329662	TRAY SUPPORT BRACKET	
4	219547	M5 X 16MM LONG POZI PAN SCREW	
5	219016	M5 SHAKEPROOF WASHER	
6	219571	M5 X 20MM LONG POZI HEAD STAINLESS STEEL SCREW	
7	219650	M5 X 40MM LONG POZI HEAD STAINLESS STEEL SCREW	
8	219459	GROMMET	
9	220752	230V CHARGER	STAANDARD SPEC MACHINES
	220753	120V CHARGER	STAANDARD SPEC MACHINES
	220754	100V CHARGER	STAANDARD SPEC MACHINES
	304187	120V CHARGER	CSA SPEC MACHINES
10	219644	M5 FORM G WASHER	
11	219633	M5 NYLON INSERT NUT	
12	220453	12 VOLT 80AH BATTERY	
13	429034	BATTERY STRAP	
14	220454	POSITIVE BATTERY TERMINAL CONVERTOR	
15	220455	NEGATIVE BATTERY TERMINAL CONVERTOR	
16	329643	SOLENOID MOUNTING BRACKET	
17	220379	24 VOLT DC SOLENOID VALVE	
18	220716	SOLENOID VALVE LEAD	
19	219622	M4 X 35MM LONG POZI PAN MACHINE SCREW	
20	219206	M4 1A TAB WASHER	
21	219083	M4 NYLOC STIFFNUT	
22	229304	CHARGER COVER	230V MACHINES
	229269	CHARGER COVER	120V MACHINES
23	220681	ISOLATOR KNOB	
24	229272	50 AMP CIRCUIT BREAKER	
25	329123	ISOLATOR BLOCK ASSEMBLY	
26	329638	PCB MOUNTING PLATE	
27	229268	PCB COVER	
28	219301	No6 POZI PAN S/T SCREW X 9.5MM LONG	
29	220395	PCB QUICK RELEASE STAND-OFF	
30	220711	CONTROL PCB	
31	219631	19MM GROMMET	
32	229303	BATTERY PLATE PAD	
33	229271	SPLASH COVER	
34	229270	ACTUATOR EXTENSION	
35	212024	530MM LONG INSEAL	
36	219569	No8 X 1/2" LONG POZI PAN SCREW	
37	329122	760MM LONG SILICON TUBE	
38	219464	24MM HIGH PLASTIC CLIP	
39	229204	BOTTOM MOTOR HOUSING	
40	202077	BOTTOM MOTOR GASKET	
41	205066	24V BP MOTOR C/W PUSH ON TAGS LEAD ASSEMBLY	
42	202076	TOP MOTOR GASKET	
43	202078	MOTOR CAP GASKET	
44	229998	TOP MOTOR HOUSING C/W TAPPEX	
45	219561	O-RING	
46	229207	INLET TUBE MOULDING	
47	219003	M5 FORM A WASHER	
48	219575	M5 X 25MM LONG POZI DRIVE SCREW	
49	329640	REAR VAC POD BRACKET	
50	329641	FRONT VAC POD BRACKET	
51	219568	No8 X 3/4" LONG PLASTITE SCREW	
52	227008	CABLE CLAMP	
53	219107	No6 X 5/8" LONG PLASTITE SCREW	
54	229206	VAC POD TOP COVER MOULDING	
55	329666	CHOKE MOUNTING PLATE	
56	229302	CHOKE GASKET	
57	220731	CHOKE	
58	221151	M4 X 12MM LONG POZI PAN SCREW	
59	229301	CHOKE COVER	
60	219636	M5 X 16MM LONG NYLON SCREW	
61	329670	BATTERY PROTECTION PLATE	
62	320484	DC CHARGER ASSEMBLY	
63	220993	16 AMP FUSE	STAANDARD SPEC MACHINES
	220666	20 AMP FUSE	CSA SPEC MACHINES
64	320570	400MM LONG YELLOW LINK WIRE	
65	220204	TERMINAL BLOCK	
66	219321	M4 X 30MM LONG POZI PAN SCREW	
67	220834	SUPPRESSOR ASSEMBLY	
68	220833	A.C. CHARGING LEAD ASSEMBLY	230V STANDARD SPEC MACHINES
	220832	A.C. CHARGING LEAD ASSEMBLY	120V CSA SPEC MACHINES
	220835	A.C. CHARGING LEAD ASSEMBLY	120V STANDARD SPEC MACHINES
69	220874	MOTOR CONTROLLER	
70	329195	PCB MOUNTING BRACKET	
71	219686	M4 X 20MM LONG POZI PAN STAINLESS STEEL SCREW	
72	219015	M4 SHAKEPROOF WASHER	
73	229386	MOTOR CONTROLLER COVER	
74	219661	M5.35MM LG.POZI-PAN.SCREW.STAINLESS STEEL	
75	219721	M5 STAINLESS STEEL FULL NUT	

**Numatic International Spare Parts**  
**Model No:TT/TTB665 Floor Tool Assembly**

231905  
 DRAWING: EXP393 ISS:03  
 16/11/98

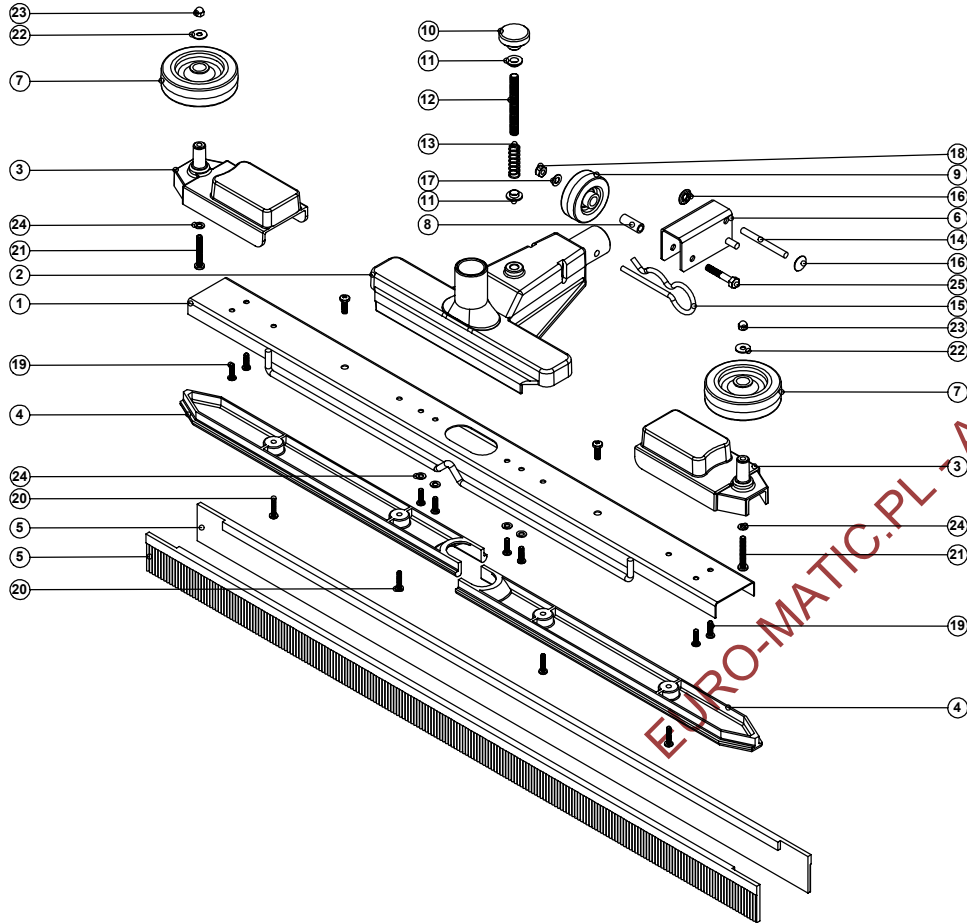


**Numatic International Spare Parts**  
**Model No:TTB665 Floor Tool Assembly**

POS:	PART NO:	DESCRIPTION:	COMMENTS:
1	329139	U-SECTION	
2	229296	CENTRE MOULDING C/W INSERT	
3	229297	END CAP MOULDING	
4	229298	BOTTOM HALF COVER	
5	217224	RUBBER BLADE	
6	229320	HEIGHT ADJUSTMENT BRACKET	
7	303247	75MM DIAMETER WHEEL	
8	204023	24MM LONG FLO WHEEL INSERT	
9	215006	50MM DIAMETER FLO WHEEL	
10	215008	ADJUSTMENT KNOB	
11	219417	SCREW INSULATOR	
12	229283	HEIGHT ADJUSTMENT SHAFT	
13	219312	COMPRESSION SPRING	
14	390401	60MM LONG X 6MM DIAMETER S/STEEL BAR	
15	229295	RETAINING PIN	
16	219402	6MM STARLOCK WASHER & CAP	
17	219007	M6 FORM B WASHER	
18	219642	M6 NYLOC NUT	
19	219370	No8 X 5/8" LONG PLASTITE POZI DRIVE SCREW	
20	219568	No8 X 3/4" LONG PLASTITE SCREW	
21	220033	M5 X 35MM LONG POZI PAN MACHINE SCREW	
22	219644	M5 FORM G S/STEEL WASHER	
23	219645	M5 S/STEEL DOMENUT	
24	219355	M5 FORM A S/STEEL WASHER	
25	219064	M6 X 35MM LONG BOLT	
26	219547	M5 X 16MM LONG POZI PAN SCREW	

**Numatic International Spare Parts**  
**Model No:TT/TTB665 Floor Tool Assembly**

231905  
 DRAWING: EXP393 ISS:A04  
 19/10/99



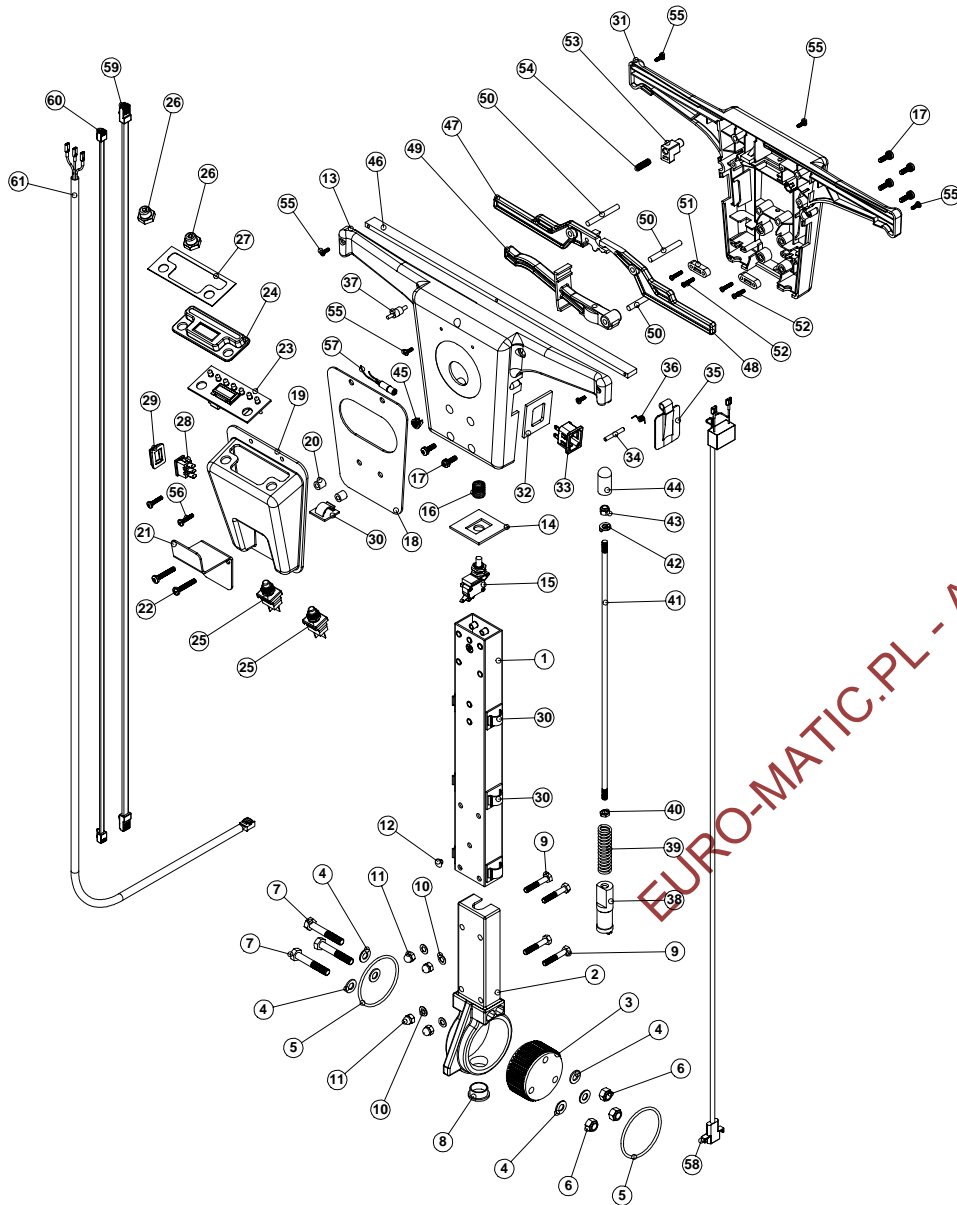
**Numatic International Spare Parts**  
**Model No:TTB665 Floor Tool Assembly**

POS:	PART NO:	DESCRIPTION:	COMMENTS:
1	329139	U-SECTION	
2	229370	CENTRE MOULDING C/W INSERT	
3	229297	END CAP MOULDING	
4	229298	BOTTOM HALF COVER	
5	217224	RUBBER BLADE	
6	229320	HEIGHT ADJUSTMENT BRACKET	
7	303247	100MM DIAMETER WHEEL	
8	204023	24MM LONG FLO WHEEL INSERT	
9	215006	50MM DIAMETER WHEEL	
10	215008	ADJUSTMENT KNOB	
11	219417	SCREW INSULATOR	
12	229283	HEIGHT ADJUSTMENT SHAFT	
13	219312	COMPRESSION SPRING	
14	390401	60MM LONG X 6MM DIAMETER STAINLESS STEEL SPRING	
15	229295	RETAINING SPRING	
16	219402	6MM STARLOCK WASHER & CAP	
17	219007	M6 FORM B WASHER	
18	219642	M6 NYLOC NUT	
19	219370	No8 X 5/8" LONG PLASTITE SCREW	
20	219568	No8 X 3/4" LONG PLASTITE SCREW	
21	220033	M5 X 35MM LONG POZI PAN MACHINE SCREW	
22	219644	M5 FORM C WASHER	
23	219645	M5 STAINLESS STEEL DOMENUT	
24	219355	M5 FORM A STAINLESS STEEL WASHER	
25	219064	M6 X 35MM LONG HEX HEAD BOLT	
26	219547	M5 X 16MM LONG POZI PAN SCREW	

EURO-MATIC.PL - Autoryzowany Sprzedawca

**Numatic International Spare Parts**  
**Model No:TTB665 Handle Assembly**

231911  
 DRAWING: EXP398 ISS:01  
 16/10/98

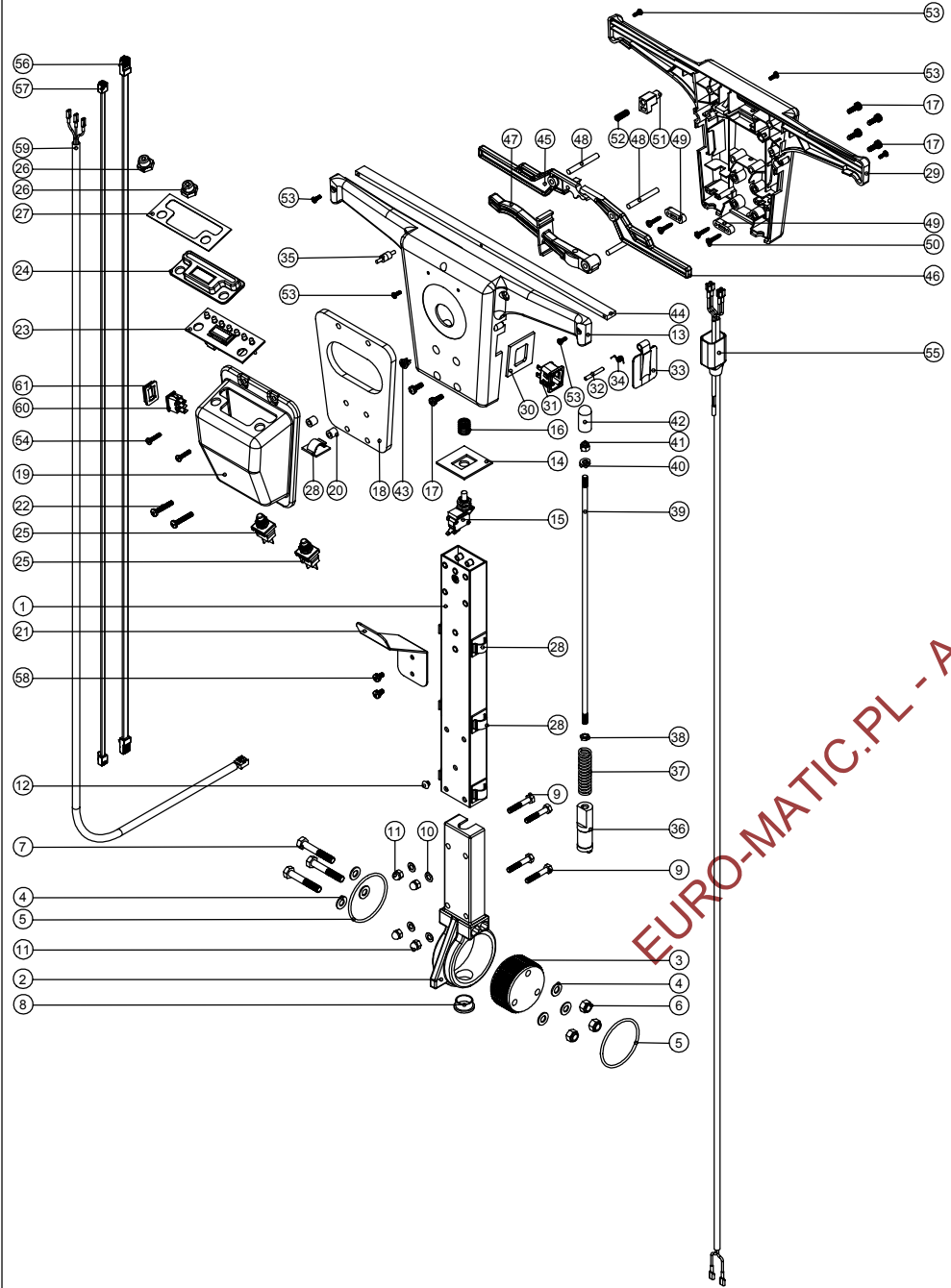


**Numatic International Spare Parts**  
**Model No:TTB665 Handle Assembly**

POS:	PART NO:	DESCRIPTION:	COMMENTS:
1	429029	ALUMINIUM HANDLE	
2	229081	HANDLE CASTING	
3	229074	ADJUSTMENT GEAR	
4	219010	M8 FORM A WASHER	
5	219254	O-RING	
6	219078	M8 STIFFNUT	
7	219091	M8 X 50MM LONG HEX HEAD BOLT	
8	229099	25MM DIAMETER HOLE PLUG	
9	219064	M6 X 35MM LONG HEX HEAD BOLT	
10	219007	M6 FORM B WASHER	
11	219080	M6 DOMENUT	
12	229009	HOLE BLANKING PLUG	
13	329089	FRONT HANDLE MOULDING	
14	229011	SWITCH PLATE	
15	220598	PUSH BUTTON MICRO SWITCH	
16	229028	SWITCH SPRING	
17	219045	M5 X 16MM LONG ROZI PAN SEMS SCREW	
18	220727	SWITCH COVER GASKET	
19	229287	SWITCH COVER MOULDING	
20	219574	NYLON SPACER	
21	403029	BRACKET	
22	299020	M5 X 30MM LONG POZI PAN MACHINE SCREW	
23	220590	LENS / SWITCH PANEL	
24	206316	LENS MOULDING	
25	220597	PUSH BUTTON SWITCH	
26	220600	SWITCH COVER	
27	220725	SELF ADHESIVE LENS GASKET	
28	220729	RED ROCKER SWITCH	
29	220246	PROTECTIVE COVER	
30	220403	CABLE CLIP	
31	329085	REAR HANDLE MOULDING	
32	220390	SOCKET MOUNTING PLATE	
33	220408	APPLIANCE SOCKET	
34	229035	FLAP PIVOT PIN	
35	229032	FLAP	
36	229034	FLAP TORSION SPRING	
37	229033	BLANKING PIN	
38	229073	GEAR LOCKING PIN	
39	229138	SPRING	
40	219099	M6 HALF NUT	
41	229126	LOCKING ROD	
42	219017	M6 DOUBLE COIL SPRING WASHER	
43	219088	M6 STIFFNUT	
44	219607	RUBBER PROTECTION CAP	
45	220174	NEON INDICATOR RED LENS ONLY	
46	229076	SUPPORT STRIP	
47	229001	RIGHTHAND SWITCH LEVER	
48	229000	LEFTHAND SWITCH LEVER	
49	229003	ADJUSTMENT LEVER	
50	229071	LEVER MOUNTING PIN	
51	227008	CABLE CLAMP	
52	219107	No6 X 5/8" LONG PLASTITE SCREW	
53	229066	RELEASE BUTTON	
54	219323	COMPRESSION SPRING	
55	219212	M3.5MM X 10MM LONG TAPTITE SCREW	
56	219568	No8 X 3/4" LONG PLASTITE SCREW	
57	220401	NEON INDICATOR ASSEMBLY	
58	220617	A.C. CHARGING LEAD ASSEMBLY	TTB665/80 STANDARD SPEC
	220732	A.C. CHARGING LEAD ASSEMBLY	TTB665/160 STANDARD SPEC
	220737	A.C. CHARGING LEAD ASSEMBLY	TTB665/80 CSA SPEC
	220741	A.C. CHARGING LEAD ASSEMBLY	TTB665/160 CSA SPEC
59	220712	8 WAY CABLE	
60	220713	6 WAY CABLE	
61	320459	VAC FUNCTION LEAD ASSEMBLY	

**Numatic International Spare Parts**  
**Model No:TTB665 Handle Assembly**

231911  
 DRAWING: EXP398 ISS:A02  
 23/09/99



**Numatic International Spare Parts**  
**Model No:TTB665 Handle Assembly**

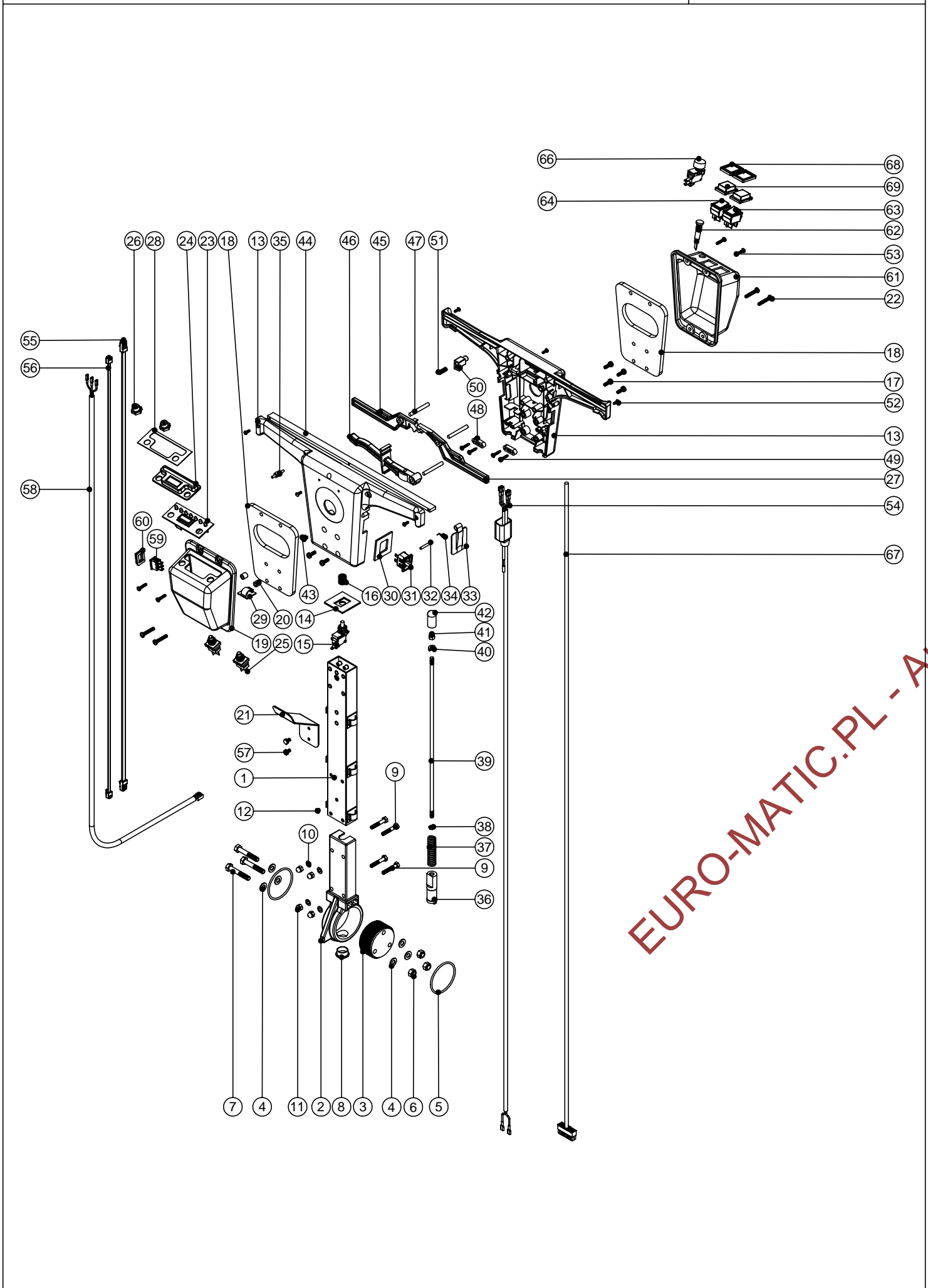
POS.	PART NO.	DESCRIPTION:	COMMENTS:
1	429029	ALUMINIUM HANDLE	
2	229081	HANDLE CASTING	
3	229074	ADJUSTMENT GEAR	
4	219010	M8 FORM A WASHER	
5	219254	O-RING	
6	219078	M8 STIFFNUT	
7	219091	M8 X 50MM LONG HEX HEAD BOLT	
8	229099	25MM DIAMETER HOLE PLUG	
9	219064	M6 X 35MM LONG HEX HEAD BOLT	
10	219007	M6 FORM B WASHER	
11	219080	M6 DOMENUT	
12	229009	HOLE BLANKING PLUG	
13	329089	FRONT HANDLE MOULDING	
14	229011	SWITCH PLATE	
15	220598	PUSH BUTTON MICRO SWITCH	
16	229028	SPRING	
17	219045	M5 X 16MM LONG POZI PAN SEMS SCREW	
18	220808	SWITCH COVER GASKET	
19	229380	SWITCH COVER	
20	219574	NYLON SPACER	
21	303464	BRACKET	
22	299020	M5 X 30MM LONG POZI PAN MACHINE SCREW	
23	220590	LED / SWITCH PANEL	
24	206316	LENS MOULDING	
25	220597	PUSH BUTTON SWITCH	
26	220600	SWITCH COVER	
27	220725	SELF ADHESIVE LENS GASKET	
28	220493	CABLE CLIP	
29	329065	REAR HANDLE MOULDING	
30	229390	SOCKET MOUNTING PLATE	
31	220408	APPLIANCE SOCKET	
32	229035	FLAP PIVOT PIN	
33	229032	FLAP	
34	229034	FLAP TORSION SPRING	
35	229033	BLANKING PIN	
36	229073	GEAR LOCKING PIN	
37	229138	SPRING	
38	219099	M6 HALFNUIT	
39	229126	LOCKING ROD	
40	219017	M6 DOUBLE COIL SPRING WASHER	
41	219088	M6 STIFFNUT	
42	219607	RUBBER PROTECTION CAP	
43	220174	NEON INDICATOR RED LENS ONLY	
44	229076	SUPPORT STRIP	
45	229001	RIGHTHAND SWITCH LEVER	
46	229000	LEFTHAND SWITCH LEVER	
47	229003	ADJUSTMENT LEVER	
48	229071	LEVER MOUNTING PIN	
49	227008	CABLE CLAMP	
50	219107	No6 X 5/8" LONG PLASTITE SCREW	
51	229066	RELEASE BUTTON	
52	219323	COMPRESSION SPRING	
53	219212	M3.5 X 10MM LONG TAPTITE SCREW	
54	219568	No8 X 3/4" LONG PLASTITE SCREW	
55	220823	A.C. CHARGING LEAD / NEON ASSEMBLY	STANDARD SPEC MACHINES
	220821	A.C. CHARGING LEAD / NEON ASSEMBLY	CSA SPEC MACHINES
56	220592	8 WAY CABLE	
57	220591	6 WAY CABLE	
58	219047	M5 X 10MM LONG POZI PAN SEMS SCREW	
59	320459	VAC FUNCTION LEAD ASSEMBLY	
60	220729	RED ROCKER SWITCH	
61	220246	PROTECTIVE COVER	

EURO-MATIC.PL - Autoryzowany dystrybutor Numatic

**Numatic International Spare Parts**

**Model No: TTB665ST HANDLE ASSEMBLY**

234090  
DRAWING: EXP0521 ISS:A01  
06/04/01



**Numatic International Spare Parts**

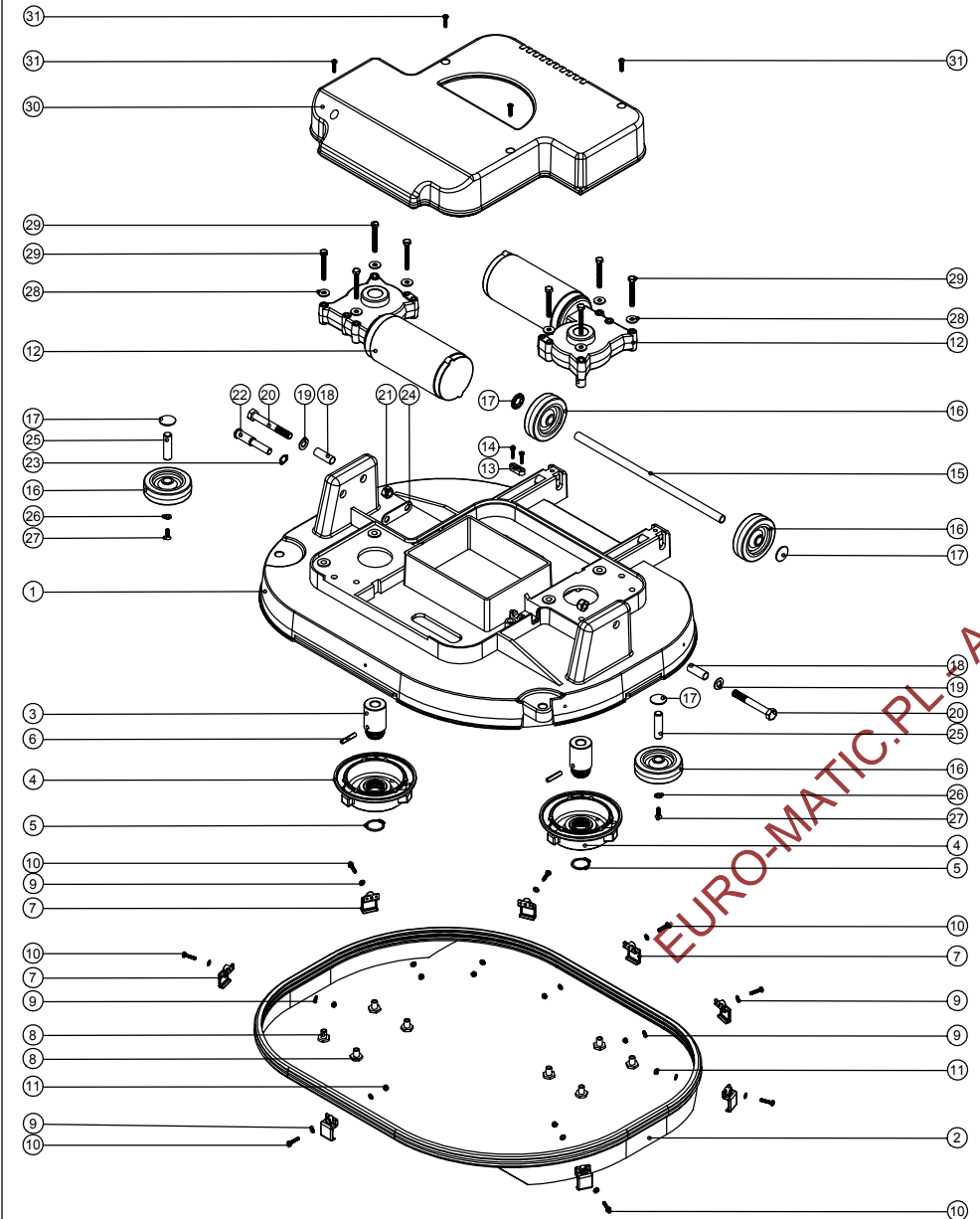
**Model No: TTB665ST HANDLE ASSEMBLY**

POS:	ITEM NO:	DESCRIPTION:	COMMENTS:
1	429029	ALUMINIUM HANDLE	
2	229081	HANDLE CASTING	
3	229074	ADJUSTMENT GEAR	
4	219010	M8 FORM A WASHER	
5	219254	O-RING	
6	219078	M8 STIFFNUT	
7	219091	M8 X 50MM LONG HEX HEAD BOLT	
8	229099	25MM DIAMETER HOLE PLUG	
9	219064	M6 X 35MM LONG HEX HEAD BOLT	
10	219007	M6 FORM B WASHER	
11	219080	M6 DOMENUT	
12	229009	HOLE BLANKING PLUG	
13	329089	FRONT HANDLE MOULDING	
14	229011	SWITCH PLATE	
15	220598	PUSH BUTTON MICRO SWITCH	
16	229028	SPRING	
17	219045	M5 X 16MM LONG POZI PAN SEMS SCREW	
18	220808	SWITCH COVER GASKET	
19	229380	SWITCH COVER	
20	219574	NYLON SPACER	
21	303464	BRACKET	
22	299020	M5 X 30MM LONG POZI PAN MACHINE SCREW	
23	220880	LED SWITCH PANEL	
24	206316	LENS MOULDING	
25	220597	PUSH BUTTON SWITCH	
26	220600	SWITCH COVER	
27	229000	LEFTHAND SWITCH LEVER	
28	220225	SELF ADHESIVE LENS GASKET	
29	220403	CABLE CLIP	
30	220390	SOCKET MOUNTING PLATE	
31	220408	APPLIANCE SOCKET	
32	229035	FLAP PIVOT PIN	
33	229032	FLAP	
34	229034	FLAP TORSION SPRING	
35	229033	BLANKING PIN	
36	229073	GEAR LOCKING PIN	
37	229138	SPRING	
38	219099	M6 HALF NUT	
39	229126	LOCKING ROD	
40	219017	M6 DOUBLE COIL SPRING WASHER	
41	219088	M6 STIFFNUT	
42	219607	RUBBER PROTECTION CAP	
43	220174	NEON INDICATOR RED LENS ONLY	
44	229076	SUPPORT STRIP	
45	229001	RIGHTHAND SWITCH LEVER	
46	229003	ADJUSTMENT LEVER	
47	229071	LEVER MOUNTING PIN	
48	227008	CABLE CLAMP	
49	219107	No6 X 5/8" LONG PLASTITE SCREW	
50	229066	RELEASE BUTTON	
51	219323	COMPRESSION SPRING	
52	219212	M3.5 X 10MM LONG TAPTITE SCREW	
53	219568	No8 X 3/4" LONG PLASTITE SCREW	
54	220823	A.C. CHARGING LEAD / NEON ASSEMBLY	
	220821	A.C. CHARGING LEAD / NEON ASSEMBLY	CSA SPEC MACHINES
55	220712	8 WAY CABLE	STANDARD SPEC MACHINES
56	220713	6 WAY CABLE	
57	219047	M5 X 10MM LONG POZI PAN SEMS SCREW	
58	320459	VAC FUNCTION LEAD ASSEMBLY	
59	220729	RED ROCKER SWITCH	
60	220246	PROTECTIVE COVER	
61	229385	SWITCH COVER	
62	220849	LED INDICATOR GREEN LIGHT 2V	
63	220843	BLUE ROCKER SWITCH	
64	220848	3 POSITION BLACK/RED SWITCH	
66	220847	PUSH BUTTON BLACK/GREEN MICROSWITCH	
67	220873	7 CORE CABLE ASSY (TTB 665/160ST) MK11	
68	220811	SWITCH SNAP ON FRAME	
69	220810	SWITCH SPLASH COVER	

EURO-MATIC.PL - Autoryzowany dystrybutor Numatic

**Numatic International Spare Parts**  
**Model No:TTB665 MK3 Base Assembly**

234013  
 DRAWING: EXP444 ISS:A01  
 08/09/99



**Numatic International Spare Parts**  
**Model No:TTB665 MK3 Base Assembly**

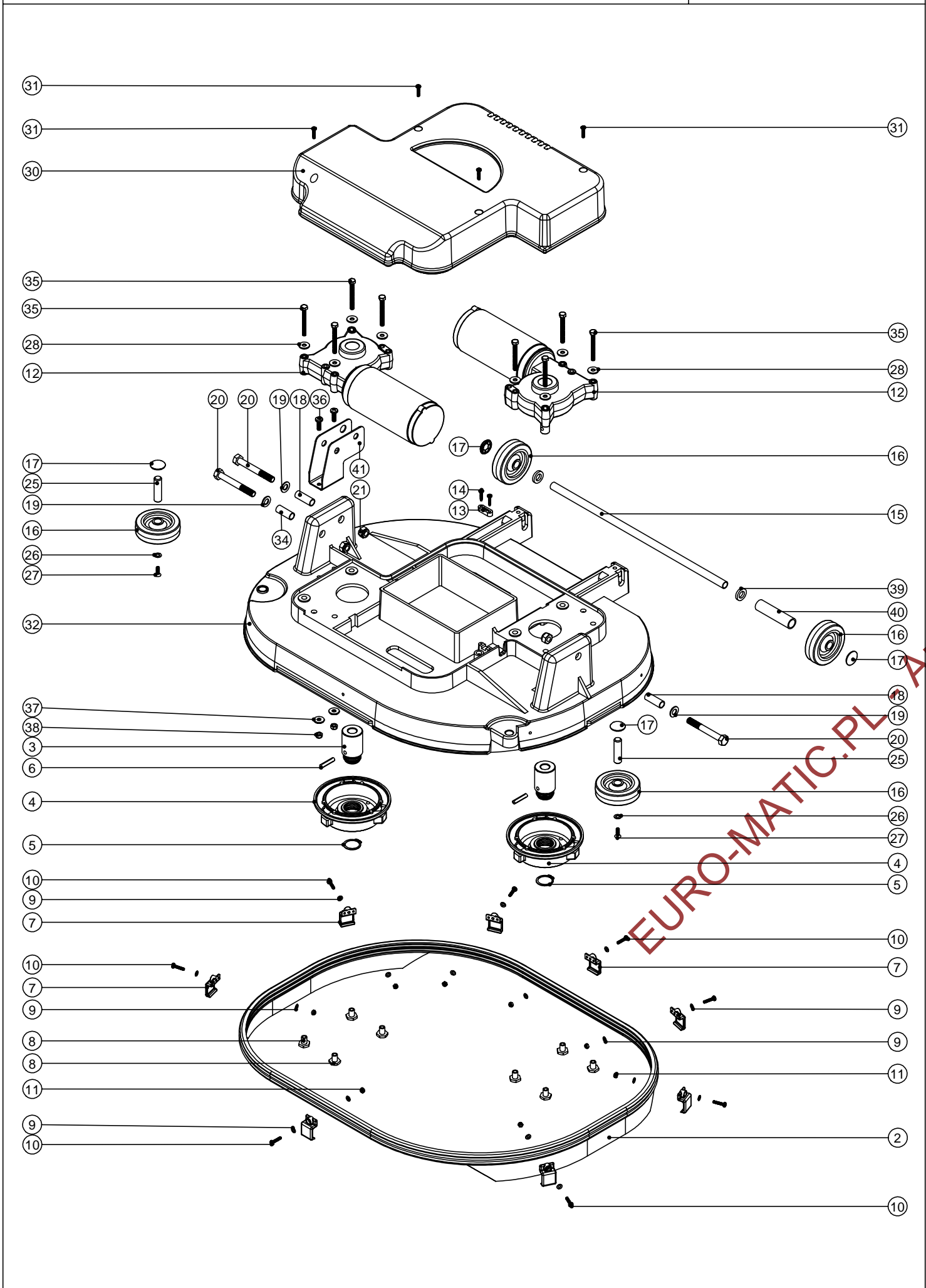
POS	PART NO	DESCRIPTION:	COMMENTS:
1	229374	GREY BASE MOULDING	
2	229373	SPLASH SKIRT	
3	229182	DRIVE SHAFT	
4	230207	CHUCK	
5	230048	26MM EXTERNAL CIRCLIP	
6	219523	GROOVED PIN	
7	229365	FIXING CLIP	
8	219606	BRACKET SPACER	
9	219688	M4 FORM A STAINLESS STEEL WASHER	
10	219686	M4 X 20MM LONG POZI PAN STAINLESS STEEL SCREW	
11	219687	M4 NYLON INSERT STAINLESS STEEL NUT	
12	320447	24V MOTOR	
13	227008	CABLE CLAMP	
14	219107	No6 X 5/8" LONG PLASTITE SCREW	
15	390859	325MM LONG AXLE TUBE	
16	303247	100MM DIAMETER WHEEL	
17	204021	12.7MM HUB CAP	
18	390864	35MM LONG TUBE	
19	219449	M10 FORM A WASHER	
20	219446	M10 X 80MM LONG BOLT	
21	219649	M10 NYLON INSERT NUT	
22	229372	LOCKING PIN	
23	219151	13MM EXTERNAL CIRCLIP	
24	303465	LINK BRACKET	
25	206013	BOILER WHEEL PIN	
26	219560	M6 FORM B STAINLESS STEEL WASHER	
27	219572	M6 X 16MM LONG STAINLESS STEEL COUNTERSUNK SCREW	
28	219068	M6 FORM G WASHER	
29	219316	M6 X 50MM LONG BOLT	
30	229375	LID MOULDING	
31	219568	No8 X 3/4" LONG PLASTITE SCREW	

EURO-MATIC.PL Autoryzowany Dystrybutor Numatic

**Numatic International Spare Parts**

**Model No:TTB665/TTB665ST MK3 Base Assembly**

234013  
DRAWING: EXP444 ISS:A02  
04/05/01



**Numatic International Spare Parts**

**Model No:TTB665/TTB665ST MK3 Base Assembly**

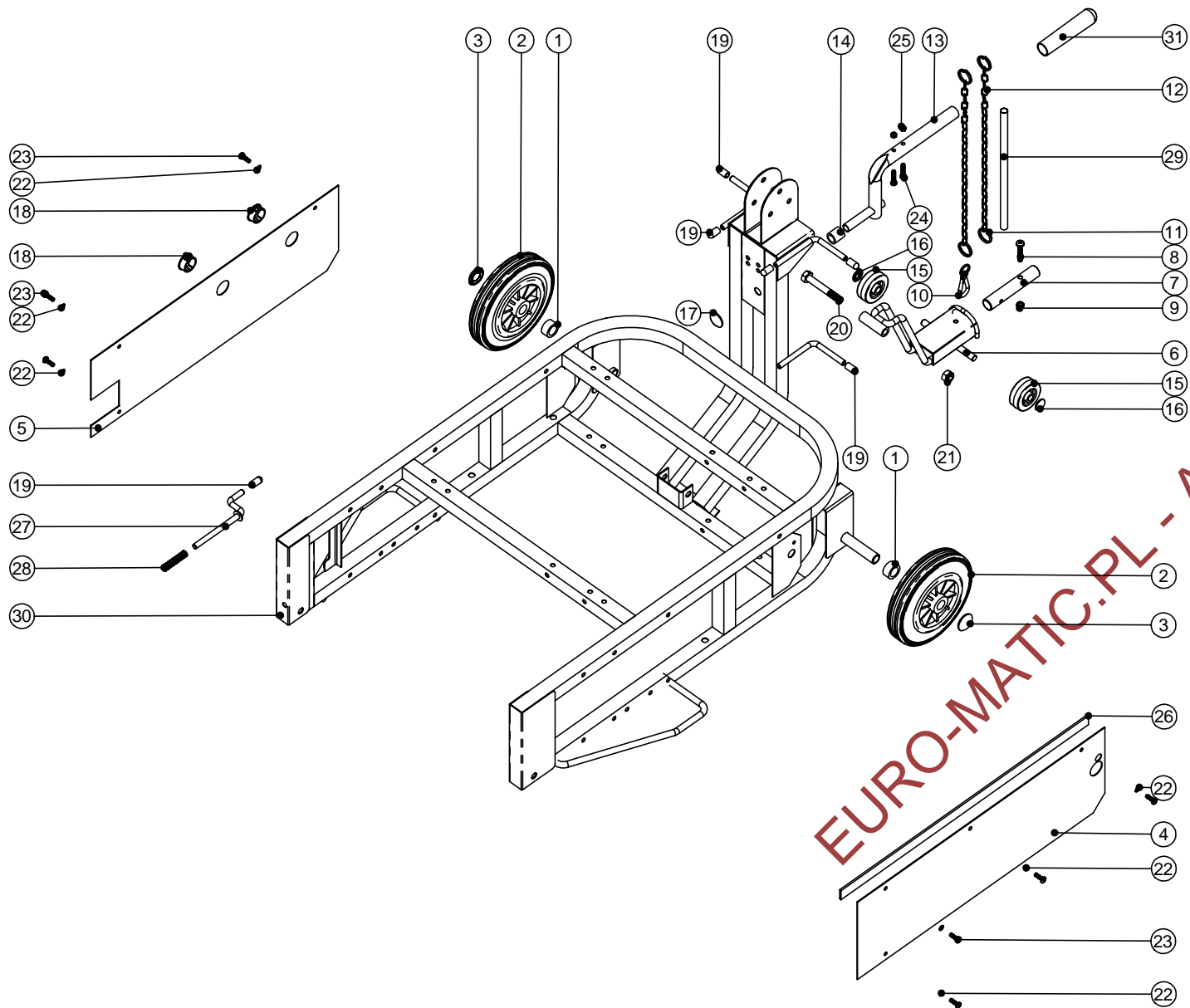
POS:	PART NO:	DESCRIPTION:	COMMENTS:
2	229373	SPLASH SKIRT	
3	229182	DRIVE SHAFT	
4	230207	CHUCK	
5	230048	26MM EXTERNAL CIRCLIP	
6	219523	GROOVED PIN	
7	229365	FIXING CLIP	
8	219606	BRACKET SPACER	
9	219688	M4 FORM A STAINLESS STEEL WASHER	
10	219686	M4 X 20MM LONG POZI PAN STAINLESS STEEL SCREW	
11	219687	M4 NYLON INSERT STAINLESS STEEL NUT	
12	320447	24V MOTOR	
13	227008	CABLE CLAMP	
14	219107	No6 X 5/8" LONG PLASTITE SCREW	
15	390859	325MM LONG AXLE TUBE	
16	303247	100MM DIAMETER WHEEL	
17	204021	12.7MM HUB CAP	
18	390864	35MM LONG TUBE	
19	219449	M10 FORM A WASHER	
20	219446	M10 X 80MM LONG BOLT	
21	219649	M10 NYLON INSERT NUT	
25	206013	BUFFER WHEEL PIN	
26	219560	M6 FORM B STAINLESS STEEL WASHER	
27	219572	M5 X 16MM LONG STAINLESS STEEL COUNTERSUNK SCREW	
28	219008	M6 FORM G WASHER	
30	229375	LID MOULDING	
31	219568	No8 X 3/4" LONG PLASTITE SCREW	
32	329212	PROCESSED BASE DECK MOULDING	
34	390858	32MM LONG SPACER	
35	219224	M6 X 55MM LONG HEX BOLT	
36	219701	M6 X 20MM LONG STAINLESS STEEL POZI PAN SCREW	
37	219647	M6 FORM G STAINLESS STEEL WASHER	
38	219642	M6 NYLOC NUT	
39	229346	SPACER	
40	390798	78MM LONG X 19MM O/D STAINLESS STEEL TUBE	
41	303472	LOCKING BRACKET	

EURO-MATIC.PL Autoryzowany dystrybutor Numatic

**Numatic International Spare Parts**

**Model No: TTB665ST CHASSIS ASSEMBLY**

234088  
DRAWING: EXP519 ISS:A01  
30/03/01



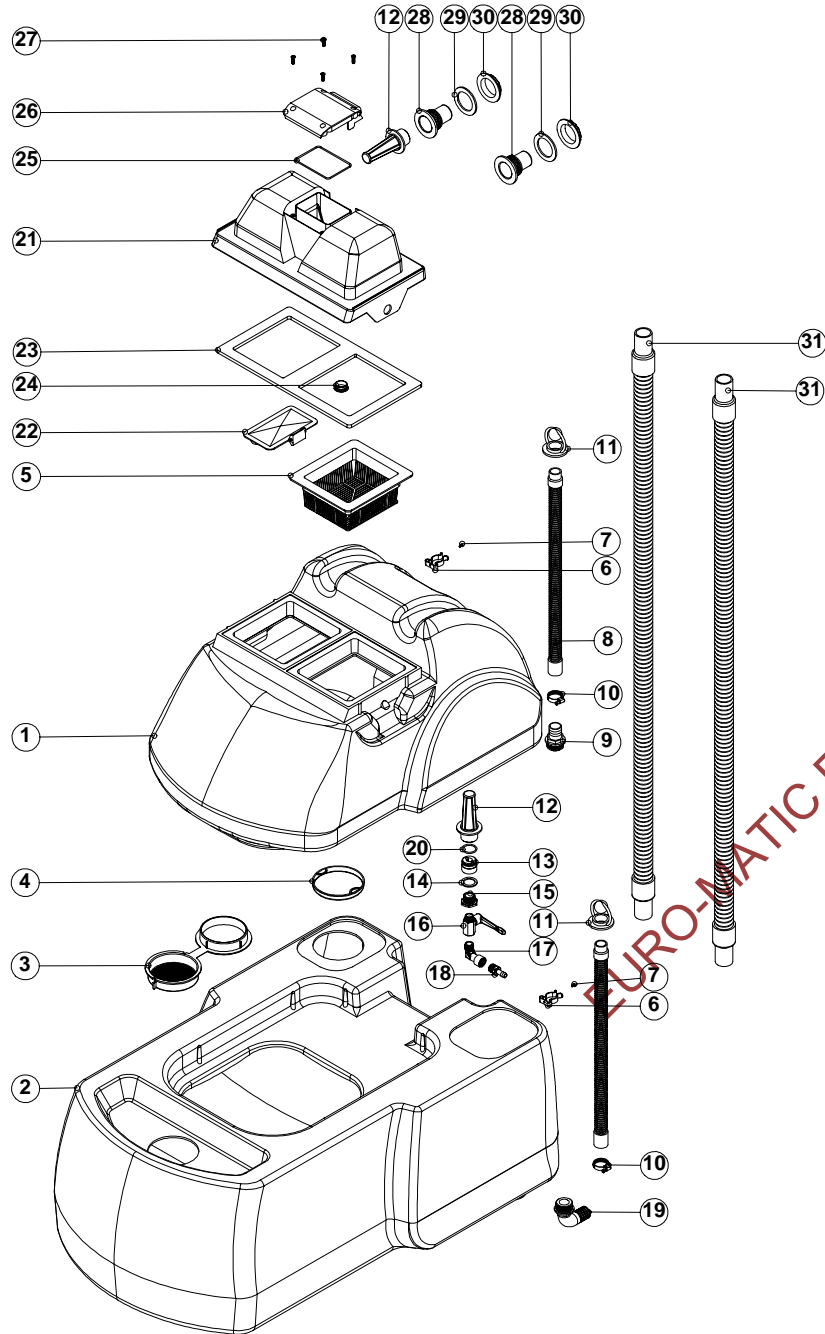
**Numatic International Spare Parts**

**Model No: TTB665ST CHASSIS ASSEMBLY**

POS:	ITEM NO:	DESCRIPTION:	COMMENTS:
1	219545	WHITE SPACER	
2	229049	160MM DIAMETER WHEEL	
3	229266	16MM CAP	
4	429030	LEFTHAND SIDEPLATE	
5	429059	RIGHTHAND SIDE PLATE	
6	329632	FLOOR TOOL WELDED CONNECTOR ASSEMBLY	
7	329163	PIVOT BOSS	
8	219643	M6 X 35MM LONG POZI PAN SCREW	
9	219642	M6 NYLOC NUT	
10	229292	50MM SWIVEL HOOK	
11	229293	1" SPLIT RING	
12	229289	540MM LONG CHAIN	
13	329675	FLOOR TOOL LIFT HANDLE WELDED ASSEMBLY	
14	229288	NYLON SPACER	
15	215006	50MM WHEEL BLACK (GREY TYRE)	
16	229290	3/8" STAINLESS CAP	
17	204021	12.7MM HUB CAP	
18	206314	PLASTIC WINDOW	
19	229240	END TIP	
20	219570	M10 X 70MM LONG BOLT	
21	219649	M10 NYLON INSERT NUT	
22	219016	M5 SHAKEPROOF WASHER	
23	219547	M5 X 16MM LONG POZI PAN SCREW	
24	219575	M5 X 25MM LONG POZI DRIVE SCREW	
25	219633	M5 NYLON INSERT NUT	
26	212024	530MM LONG INSEAL STRIP	
27	303406	LATCHING ROD WELDED ASSEMBLY	
28	219576	STAINLESS STEEL COMPRESSION SPRING	
29	219660	PVC SLEEVING	
30	329192	TTB665 CHASSIS W/A	
31	229344	3/4" GREY HANDLE GRIP	

**Numatic International Spare Parts**  
**Model No:TT/TTB665 TANK & SEPARATOR ASSY**

231910  
 DRAWING: EXP397 ISS:01  
 12/10/98



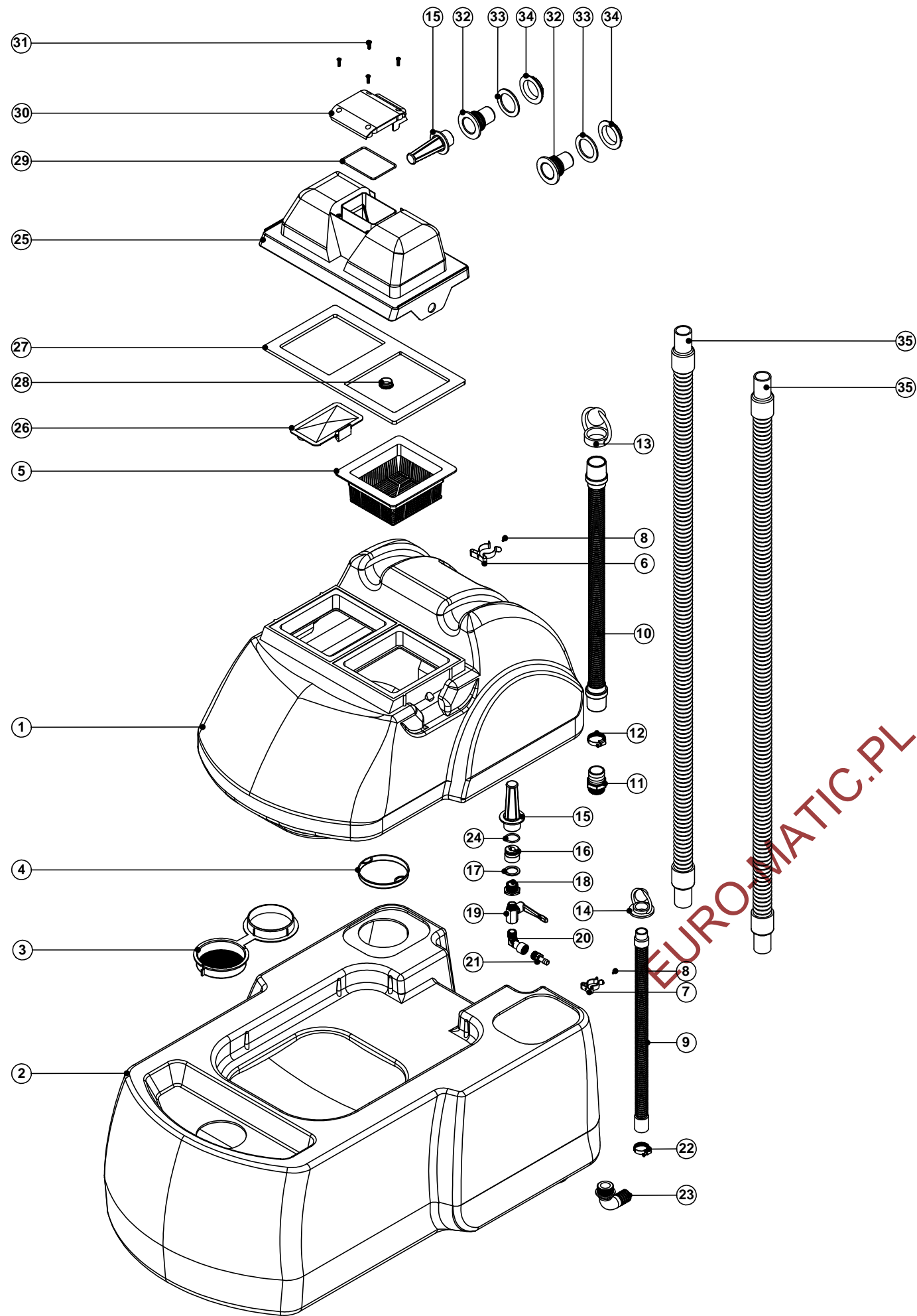
**Numatic International Spare Parts**  
**Model No:TT/TTB665 TANK & SEPARATOR ASSY**

POS:	PART NO:	DESCRIPTION:	COMMENTS:
1	227246	TOP TANK	
2	227247	BOTTOM TANK	
3	229282	FILTER CAP	
4	219452	100MM DIAMETER HOLE PLUG	
5	206266	TOP TANK FILTER	
6	219503	TOOL CLIP	
7	219641	M3 X 6MM LONG POZI DRIVE SCREW	
8	213021	DUMP HOSE ASSEMBLY	
9	303425	12 BSP STRAIGHT HOSETAIL CONNECTOR	
10	219509	STAINLESS STEEL JUBILEE CLIP	
11	206058	RUBBER HOSE CLOSURE	
12	206265	BARREL FILTER	
13	206274	FILTER CONNECTOR	
14	202067	SEALING GASKET	
15	206275	TAP CONNECTOR FITTING	
16	219382	3/8" BSP BALL VALVE	
17	219381	3/8" BSP ELBOW	
18	219389	3/8" BSP HOSETAIL	
19	216211	1" 90 DEGREE HOSETAIL CONNECTOR	
20	219626	O-RING 23MM I/D	
21	303381	SEPARATOR MOULDING	
22	229224	COVER MOULDING FRONT	
23	202075	TOP SEALING GASKET	
24	206315	TUBE END PLUG	
25	219562	O-RING 95MM I/D	
26	229223	SEPARATOR LID MOULDING	
27	219370	No8 X 5/8" LONG PLASTITE SCREW	
28	206228	DRAIN HOSE CONNECTOR	
29	219310	RUBBER WASHER	
30	206116	BLACK NUT MOULDING	
31	329671	HOSE ASSEMBLY	

# Numatic International Spare Parts

Model No:TT/TTB665/TTB665ST Tank & Separator Assy

231910  
DRAWING: EXP397 ISS:A02  
01/07/99



# Numatic International Spare Parts

Model No:TT/TTB665 Tank & Separator Assy

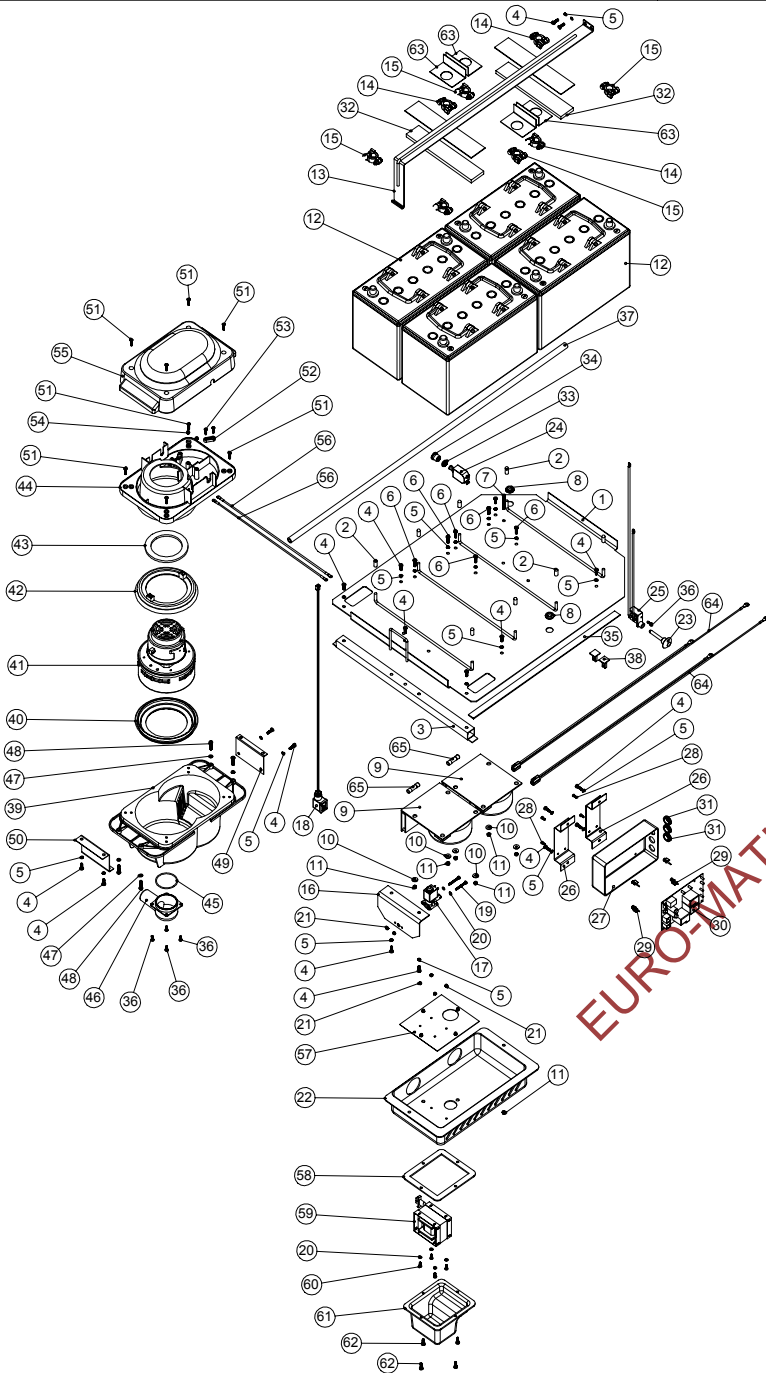
POS:	PART NO:	DESCRIPTION:	COMMENTS:
1	227246	TOP TANK	
2	227247	BOTTOM TANK	
3	229282	FILTER CAP	
4	219452	100MM DIAMETER HOLE PLUG	
5	206266	TOP TANK FILTER	
6	219665	TOOL CLIP	
7	219503	TOOL CLIP	
8	219641	M3 X 6MM LONG POZI DRIVE SCREW	
9	213021	DUMP HOSE ASSEMBLY	
10	213019	DUMP HOSE ASSEMBLY	
11	303466	STRAIGHT HOSETAIL CONNECTOR	
12	219674	STAINLESS STEEL JUBILEE HOSE CLIP	
13	206111	HOSE CLOSURE	
14	206058	HOSE CLOSURE	
15	206265	BARREL FILTER	
16	206274	FILTER CONNECTOR	
17	202067	SEALING GASKET	
18	206275	TAP CONNECTOR FITTING	
19	219382	3/8" BSP MALE/FEMALE BALL VALVE	
20	219381	3/8" BSP MALE/FEMALE ELBOW CONNECTOR	
21	219389	3/8" BSP HOSE TAIL	
22	219509	STAINLESS STEEL JUBILEE CLIP	
23	216211	1" 90 DEGREE HOSETAIL CONNECTOR	
24	219626	O-RING	
25	303381	SEPARATOR MOULDING	
26	229224	COVER MOULDING FRONT	
27	202075	TOP SEALING GASKET	
28	206315	TUBE END PLUG	
29	219562	95MM I/D O-RING	
30	229223	SEPARATOR LID MOULDING	
31	219370	No8 X 5/8" LONG PLASTITE SCREW	
32	206228	DRAIN HOSE CONNECTOR	
33	219310	RUBBER WASHER	
34	206116	BLACK NUT MOULDING	
35	329671	HOSE ASSEMBLY	

EURO-MATIC.PL - Autoryzowany Dystrybutor

**Numatic International Spare Parts**

**Model No:TTB665/160 Vac Pod & Electrical Assy**

231915  
DRAWING: EXP402 ISS:01  
13/01/99



**Numatic International Spare Parts**

**Model No:TTB665/160 Vac Pod & Electrical Assy**

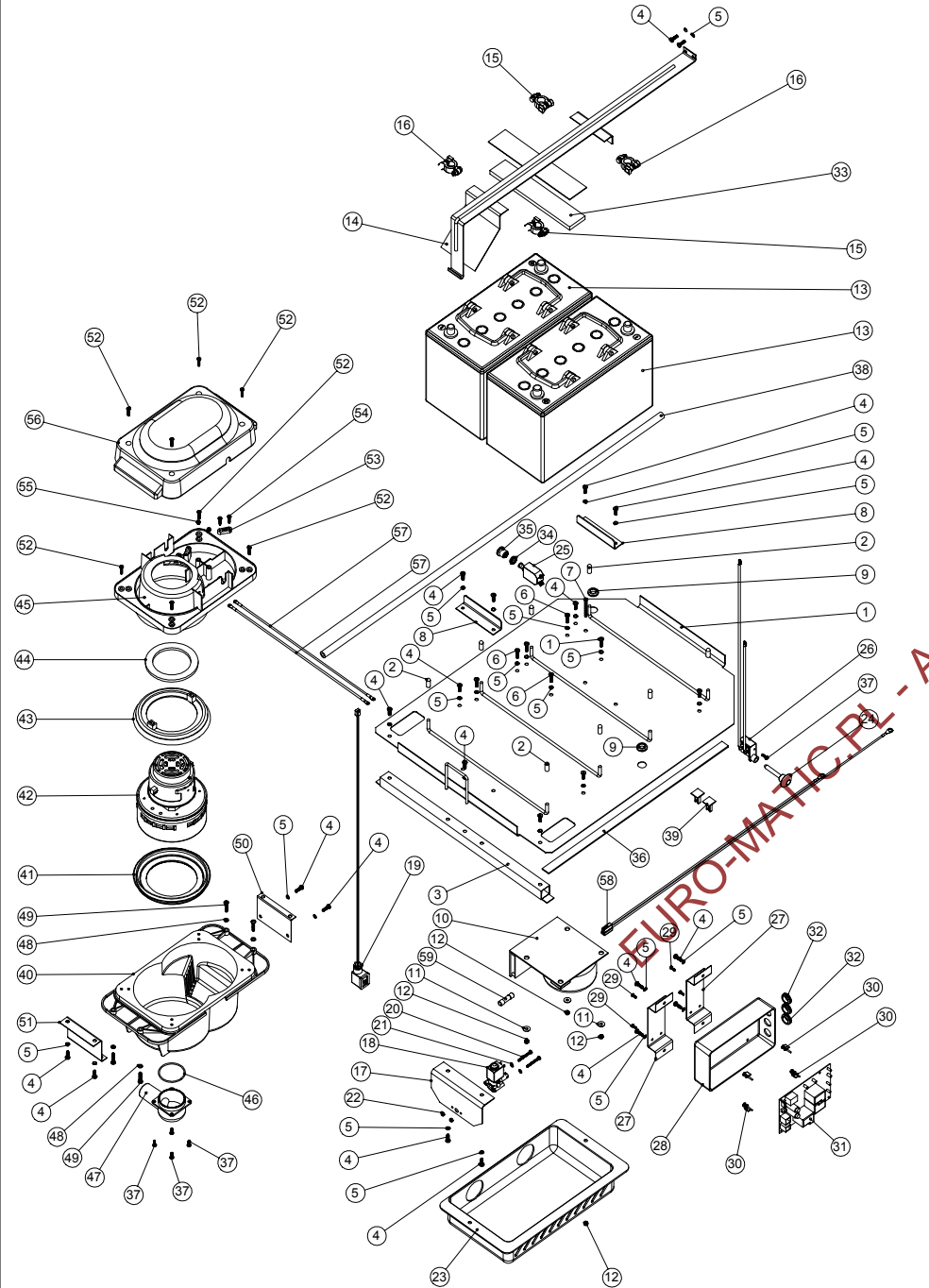
POS	PART NO	DESCRIPTION:	COMMENTS:
1	429038	BATTERY TRAY	
2	229006	END TIP	
3	329662	TRAY SUPPORT BAR	
4	219547	M5 X 16MM LONG POZI PAN MACHINE SCREW	
5	219016	M5 SHAKEPROOF WASHER	
6	219571	M5 X 20MM LONG POZI HEAD MACHINE SCREW	
7	219650	M5 X 40 MM LONG COUNTERSUNK POZI DRIVE SCREW	
8	219459	M6 SINGLE COIL SPRING WASHER	
9	220752	230V CHARGER UNIT	
	220753	115V CHARGER UNIT	
	220754	100V CHARGER UNIT	
	304187	120V CHARGER UNIT	
10	219644	M5 FORM G WASHER	CSA SPEC MACHINES
11	219633	M5 NYLOC NUT	
12	220453	12 VOLT / 80AH BATTERY	
13	429034	BATTERY STRAP	
14	220454	POSITIVE BATTERY TERMINAL CONVERTER	
15	220455	NEGATIVE BATTERY TERMINAL CONVERTER	
16	329643	SOLENOID MOUNTING BRACKET	
17	220379	24 VOLT DC SOLENOID VALVE	
18	220716	SOLENOID VALVE LEAD	
19	219622	M4 X 35MM LONG POZI PAN MACHINE SCREW	
20	219206	M4 TAB 1A FLAT WASHER	
21	219083	M4 NYLOC STIFFENER	
22	229304	CHARGER COVER	230V MACHINE ONLY
	229269	CHARGER COVER	100 & 115V MACHINES
23	220681	ISOLATOR KNOB	
24	229272	50 AMP CIRCUIT BREAKER	
25	329123	ISOLATOR BLOCK ASSEMBLY	
26	329638	PCB MOUNTING PLATE	
27	229268	PCB COVER	
28	219301	No6 X 9.5MM LONG POZI PAN SCREW	
29	220505	PCB QUICK RELEASE STAND OFF	
30	220711	CONTROL PCB	
31	219631	19MM GROMMET	
32	229303	BATTERY PLATE PAD	
33	229271	SPLASH COVER	
34	229270	ACTUATOR EXTENSION	
35	212024	530MM LONG INSEAL	
36	219569	No8 X 1/2" LONG PLASTITE SCREW	
37	329122	760MM LONG SILICON TUBE	
38	219464	24MM HIGH PLASTIC CLIP	
39	229204	VAC POD BOTTOM MOTOR HOUSING MOULDING	
40	202077	BOTTOM MOTOR GASKET	
41	320234	24 VOLT DC MOTOR C/W MOTOR LEAD ASSEMBLY	
42	202076	TOP MOTOR GASKET	
43	202078	MOTOR CAP GASKET	
44	229998	VAC POD TOP MOTOR HOUSING MOULDING C/W TAPPEX	
45	219581	O-RING	
46	229207	INLET TUBE MOULDING	
47	219003	M5 FORM A WASHER	
48	219575	M5 X 25MM LONG POZI DRIVE SCREW	
49	329640	REAR VAC POD BRACKET	
50	329641	FRONT VAC POD BRACKET	
51	219568	No8 X 3/4" LONG PLASTITE SCREW	
52	227008	CABLE CLAMP	
53	219107	No6 X 5/8" LONG PLASTITE SCREW	
54	219090	M4 X 8MM LONG SEMS SCREW	
55	229206	VAC POD TOP COVER MOULDING	
56	320455	VAC MOTOR SUPPLY WIRE	
57	329666	CHOKE MOUNTING PLATE	230V MACHINE ONLY
58	229302	CHOKE GASKET	230V MACHINE ONLY
59	220731	CHOKE	230V MACHINE ONLY
60	221151	M4 X 12MM LONG POZI PAN SCREW	230V MACHINE ONLY
61	229301	CHOKE COVER	230V MACHINE ONLY
62	219636	M5 X 16MM LONG NYLON SCREW	230V MACHINE ONLY
63	329670	BATTERY PROTECTION PLATE	
64	320484	DC CHARGER LEAD ASSEMBLY	
65	220993	16 AMP FUSE (STANDARD SPEC)	
	220666	20 AMP FUSE (CSA SPEC)	

EURO-MATIC.PL - Autoryzowany Dystrybutor

**Numatic International Spare Parts**

**Model No:TTB665/80 Vac Pod & Electrical Assy**

231914  
DRAWING: EXP401 ISS:02  
12/01/99



**Numatic International Spare Parts**

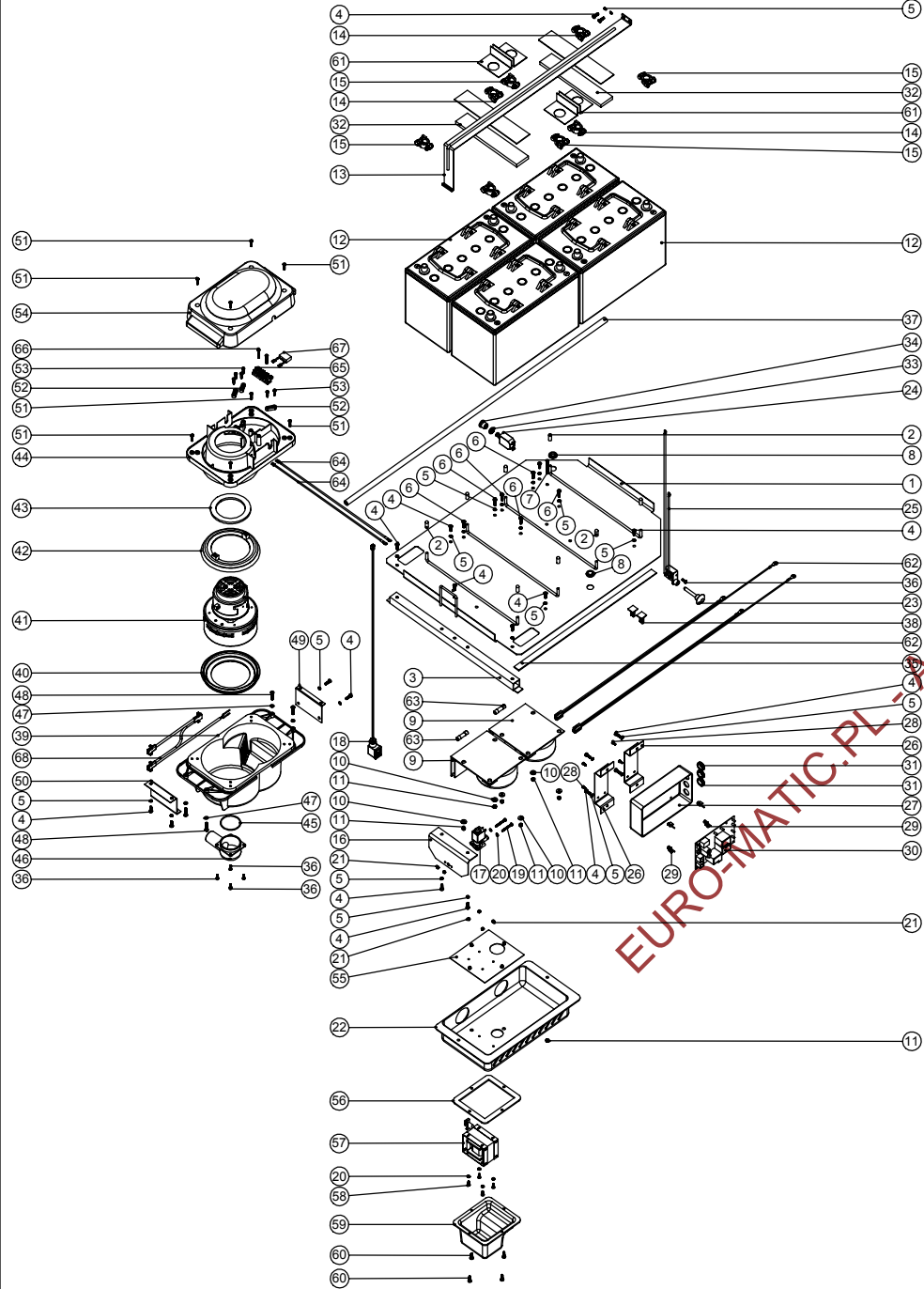
**Model No:TTB665/80 Vac Pod & Electrical Assy**

POS:	PART NO:	DESCRIPTION:	COMMENTS:
1	429038	BATTERY TRAY	
2	229006	END TIP	
3	329662	TRAY SUPPORT BAR	
4	219547	M5 X 16MM LONG POZI PAN MACHINE SCREW	
5	219016	M5 SHAKEPROOF WASHER	
6	219571	M5 X 20MM LONG POZI HEAD MACHINE SCREW	
7	219650	M5 X 40MM LONG COUNTERSUNK POZI DRIVE SCREW	
8	404009	BATTERY LOCATION BRACKET	
9	219459	M6 SINGLE COIL SPRING WASHER	
10	220752	230V CHARGER UNIT	
	220753	115V CHARGER UNIT	
	220754	100V CHARGER UNIT	
	304187	120V CHARGER UNIT (CSA SPEC MACHINE)	
11	219644	M5 FORM G WASHER	
12	219633	M5 NYLOC NUT	
13	220453	12 VOLT / 80AH BATTERY	
14	429039	BATTERY STRAP	
15	220454	POSITIVE BATTERY TERMINAL CONVERTER	
16	220455	NEGATIVE BATTERY TERMINAL CONVERTER	
17	329643	SOLENOID MOUNTING BRACKET	
18	220379	24 VOLT DC SOLENOID VALVE	
19	220716	SOLENOID VALVE LEAD	
20	219622	M4 X 35MM LONG POZI PAN MACHINE SCREW	
21	219206	M4 TAB 1/4" WASHER	
22	219083	M4 NYLOC S/NUT	
23	229269	CHARGER COVER	
24	220681	ISOLATOR KNOB	
25	229272	50 AMP CIRCUIT BREAKER	
26	329123	ISOLATOR BLOCK ASSEMBLY	
27	329636	PCB MOUNTING PLATE	
28	229268	PCB COVER	
29	219331	No6 X 9.5MM LONG POZI PAN SCREW	
30	220599	PCB QUICK RELEASE STAND OFF	
31	220711	CONTROL PCB	
32	219631	19MM GROMMET	
33	229303	BATTERY PLATE PAD	
34	229271	SPLASH COVER	
35	229270	ACTUATOR EXTENSION	
36	212024	530MM LONG INSEAL	
37	219569	No8 X 1/2" LONG PLASTITE SCREW	
38	329122	760MM LONG SILICON TUBE	
39	219464	24MM HIGH PLASTIC CLIP	
40	229204	VAC POD BOTTOM MOTOR HOUSING MOULDING	
41	202077	BOTTOM MOTOR GASKET	
42	320234	24 VOLT DC MOTOR C/W MOTOR LEAD ASSEMBLY	
43	202076	TOP MOTOR GASKET	
44	202078	MOTOR CAP GASKET	
45	229998	VAC POD TOP MOTOR HOUSING MOULDING C/W TAPPEX	
46	219561	O-RING	
47	229207	INLET TUBE MOULDING	
48	219003	M5 FORM A WASHER	
49	219575	M5 X 25MM LONG POZI DRIVE SCREW	
50	329640	REAR VAC POD BRACKET	
51	329641	FRONT VAC POD BRACKET	
52	219568	No8 X 3/4" LONG PLASTITE SCREW	
53	227008	CABLE CLAMP	
54	219107	No6 X 5/8" LONG PLASTITE SCREW	
55	219090	M4 X 8MM LONG SEMS SCREW	
56	229206	VAC POD TOP COVER MOULDING	
57	320455	VAC MOTOR SUPPLY WIRE	
58	320484	DC CHRGR LEAD ASSEMBLY	
59	220993	16 AMP FUSE (STANDARD SPEC)	
	220666	20 AMP FUSE (CSA SPEC)	

**Numatic International Spare Parts**

**Model No:TTB665/160 Vac Pod & Electrical Assy**

231915  
DRAWING: EXP402 ISS:A03  
12/10/99



**Numatic International Spare Parts**

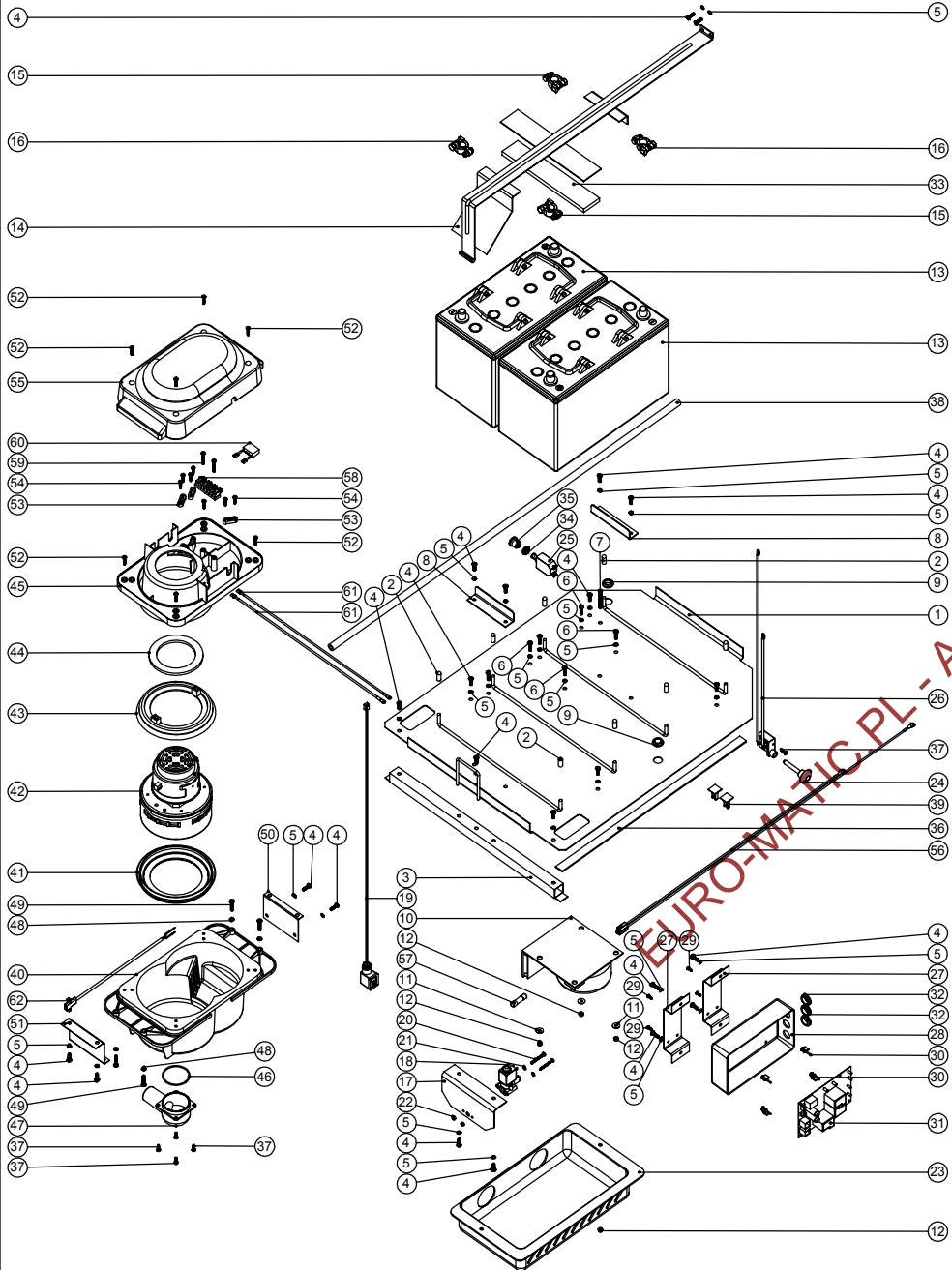
**Model No:TTB665/160 Vac Pod & Electrical Assy**

POS	PART NO	DESCRIPTION	COMMENTS
1	429038	BATTERY TRAY	
2	229006	END TIP	
3	329662	TRAY SUPPORT BRACKET	
4	219547	M5 X 16MM LONG POZI PAN SCREW	
5	219016	M5 SHAKEPROOF WASHER	
6	219571	M5 X 20MM LONG POZI HEAD STAINLESS STEEL SCREW	
7	219650	M5 X 40MM LONG POZI HEAD STAINLESS STEEL SCREW	
8	219459	GROMMET	
9	220752	230V CHARGER	STANDARD SPEC MACHINES
	220753	120V CHARGER	STANDARD SPEC MACHINES
	220754	100V CHARGER	STANDARD SPEC MACHINES
	304187	120V CHARGER	CSA SPEC MACHINES
10	219644	M5 FORM G WASHER	
11	219633	M5 NYLON INSERT NUT	
12	220453	12 VOLT 80AH BATTERY	
13	429034	BATTERY STRAP	
14	220454	POSITIVE BATTERY TERMINAL CONVERTOR	
15	220455	NEGATIVE BATTERY TERMINAL CONVERTOR	
16	329643	SOLENOID MOUNTING BRACKET	
17	220379	24 VOLT DC SOLENOID VALVE	
18	220716	SOLENOID VALVE PAD	
19	219622	M4 X 35MM LONG POZI PAN MACHINE SCREW	
20	219206	M4 1A TAB WASHER	
21	219083	M4 NYLON STIFFNUT	
22	229304	CHARGER COVER	230V MACHINES
	229269	CHARGER COVER	100V & 120V MACHINES
23	220681	ISOLATOR KNOB	
24	229272	50 AMP CIRCUIT BREAKER	
25	329123	ISOLATOR BLOCK ASSEMBLY	
26	329648	PCB MOUNTING PLATE	
27	229268	PCB COVER	
28	219301	No6 POZI PAN S/T SCREW X 9.5MM LONG	
29	220595	PCB QUICK RELEASE STAND-OFF	
30	220711	CONTROL PCB	
31	219631	19MM GROMMET	
32	229303	BATTERY PLATE PAD	
33	229271	SPLASH COVER	
34	229270	ACTUATOR EXTENSION	
35	212024	530MM LONG INSEAL	
36	219569	No8 X 1/2" LONG POZI PAN SCREW	
37	329122	760MM LONG SILICON TUBE	
38	219464	24MM HIGH PLASTIC CLIP	
39	229204	BOTTOM MOTOR HOUSING	
40	202077	BOTTOM MOTOR GASKET	
41	205066	24V BP MOTOR C/W PUSH ON TAGS LEAD ASSEMBLY	
42	202076	TOP MOTOR GASKET	
43	202078	MOTOR CAP GASKET	
44	229998	TOP MOTOR HOUSING C/W TAPPEX	
45	219561	O-RING	
46	229207	INLET TUBE MOULDING	
47	219003	M5 FORM A WASHER	
48	219575	M5 X 25MM LONG POZI DRIVE SCREW	
49	329640	REAR VAC POD BRACKET	
50	329641	FRONT VAC POD BRACKET	
51	219568	No8 X 3/4" LONG PLASTITE SCREW	
52	227008	CABLE CLAMP	
53	219107	No6 X 5/8" LONG PLASTITE SCREW	
54	229206	VAC POD TOP COVER MOULDING	
55	329666	CHOKER MOUNTING PLATE	230V MACHINE ONLY
56	229302	CHOKER GASKET	230V MACHINE ONLY
57	220731	CHOKER	230V MACHINE ONLY
58	221151	M4 X 12MM LONG POZI PAN SCREW	230V MACHINE ONLY
59	229301	CHOKER COVER	230V MACHINE ONLY
60	219636	M5 X 16MM LONG NYLON SCREW	
61	329670	BATTERY PROTECTION PLATE	
62	320484	DC CHARGER ASSEMBLY	
63	220993	16 AMP FUSE	STANDARD SPEC MACHINES
	220666	20 AMP FUSE	CSA SPEC MACHINES
64	320570	400MM LONG YELLOW LINK WIRE	
65	220204	TERMINAL BLOCK	
66	219321	M4 X 30MM LONG POZI PAN SCREW	
67	220834	SUPPRESSOR ASSEMBLY	
68	220833	A.C. CHARGING LEAD ASSEMBLY	230V STANDARD SPEC MACHINE
	220832	A.C. CHARGING LEAD ASSEMBLY	120V CSA SPEC MACHINE
	220835	A.C. CHARGING LEAD ASSEMBLY	120V STANDARD SPEC MACHINE

**Numatic International Spare Parts**

**Model No:TTB665/80 Vac Pod & Electrical Assy**

231914  
DRAWING: EXP401 ISS:A04  
12/10/99



**Numatic International Spare Parts**

**Model No:TTB665/80 Vac Pod & Electrical Assy**

POS	PART NO	DESCRIPTION:	COMMENTS:
1	429038	BATTERY TRAY	
2	229006	END TIP	
3	329662	TRAY SUPPORT BRACKET	
4	219547	M5 X 16MM LONG POZI PAN SCREW	
5	219016	M5 SHAKEPROOF WASHER	
6	219571	M5 X 20MM LONG POZI HEAD STAINLESS STEEL SCREW	
7	219650	M5 X 40MM LONG POZI HEAD STAINLESS STEEL SCREW	
8	404009	BATTERY LOCATION BRACKET	
9	219459	GROMMET	
10	220752	230V CHARGER	STANDARD SPEC MACHINES
	220753	120V CHARGER	STANDARD SPEC MACHINES
	220754	100V CHARGER	STANDARD SPEC MACHINES
	304187	120V CHARGER	CSA SPEC MACHINES
11	219644	M5 FORM G WASHER	
12	219633	M5 NYLON INSERT NUT	
13	220453	12 VOLT 80AH BATTERY	
14	429039	BATTERY STRAP	
15	220454	POSITIVE BATTERY TERMINAL CONVERTOR	
16	220455	NEGATIVE BATTERY TERMINAL CONVERTOR	
17	329643	SOLENOID MOUNTING BRACKET	
18	220379	24 VOLT DC SOLENOID VALVE	
19	220716	SOLENOID VALVE LEAD	
20	219622	M4 X 35MM LONG POZI PAN MACHINE SCREW	
21	219206	M4 X 16MM WASHER	
22	219083	M4 NYLON DC STIFFNUT	
23	229269	CHARGER COVER	
24	220681	ISOLATOR KNOB	
25	229273	50 AMP CIRCUIT BREAKER	
26	329133	ISOLATOR BLOCK ASSEMBLY	
27	229638	PCB MOUNTING PLATE	
28	229268	PCB COVER	
29	219301	No6 POZI PAN S/T SCREW X 9.5MM LONG	
30	220595	PCB QUICK RELEASE STAND-OFF	
31	220711	CONTROL PCB	
32	219631	19MM GROMMET	
33	229303	BATTERY PLATE PAD	
34	229271	SPLASH COVER	
35	229270	ACTUATOR EXTENSION	
36	212024	530MM LONG INSEAL	
37	219569	No8 X 1/2" LONG POZI PAN SCREW	
38	329122	760MM LONG SILICON TUBE	
39	219464	24MM HIGH PLASTIC CLIP	
40	229204	BOTTOM MOTOR HOUSING	
41	202077	BOTTOM MOTOR GASKET	
42	205066	24V BP MOTOR C/W PUSH ON TAGS LEAD ASSEMBLY	
43	202076	TOP MOTOR GASKET	
44	202078	MOTOR CAP GASKET	
45	229998	TOP MOTOR HOUSING C/W TAPPEX	
46	219561	O-RING	
47	229207	INLET TUBE MOULDING	
48	219003	M5 FORM A WASHER	
49	219575	M5 X 25MM LONG POZI DRIVE SCREW	
50	329640	REAR VAC POD BRACKET	
51	329641	FRONT VAC POD BRACKET	
52	219568	No8 X 3/4" LONG PLASTITE SCREW	
53	227008	CABLE CLAMP	
54	219107	No6 X 5/8" LONG PLASTITE SCREW	
55	229206	VAC POD TOP COVER MOULDING	
56	320484	DC CHARGER ASSEMBLY	
57	220993	16 AMP FUSE	STANDARD SPEC MACHINES
	220666	20 AMP FUSE	CSA SPEC MACHINES
58	220204	TERMINAL BLOCK	
59	219321	M4 X 30MM LONG POZI PAN SCREW	
60	220834	SUPPRESSOR ASSEMBLY	
61	320570	400MM LONG YELLOW LINK WIRE	
62	220837	A.C. CHARGING LEAD ASSEMBLY	STANDARD SPEC MACHINES
	220838	A.C. CHARGING LEAD ASSEMBLY	CSA SPEC MACHINES