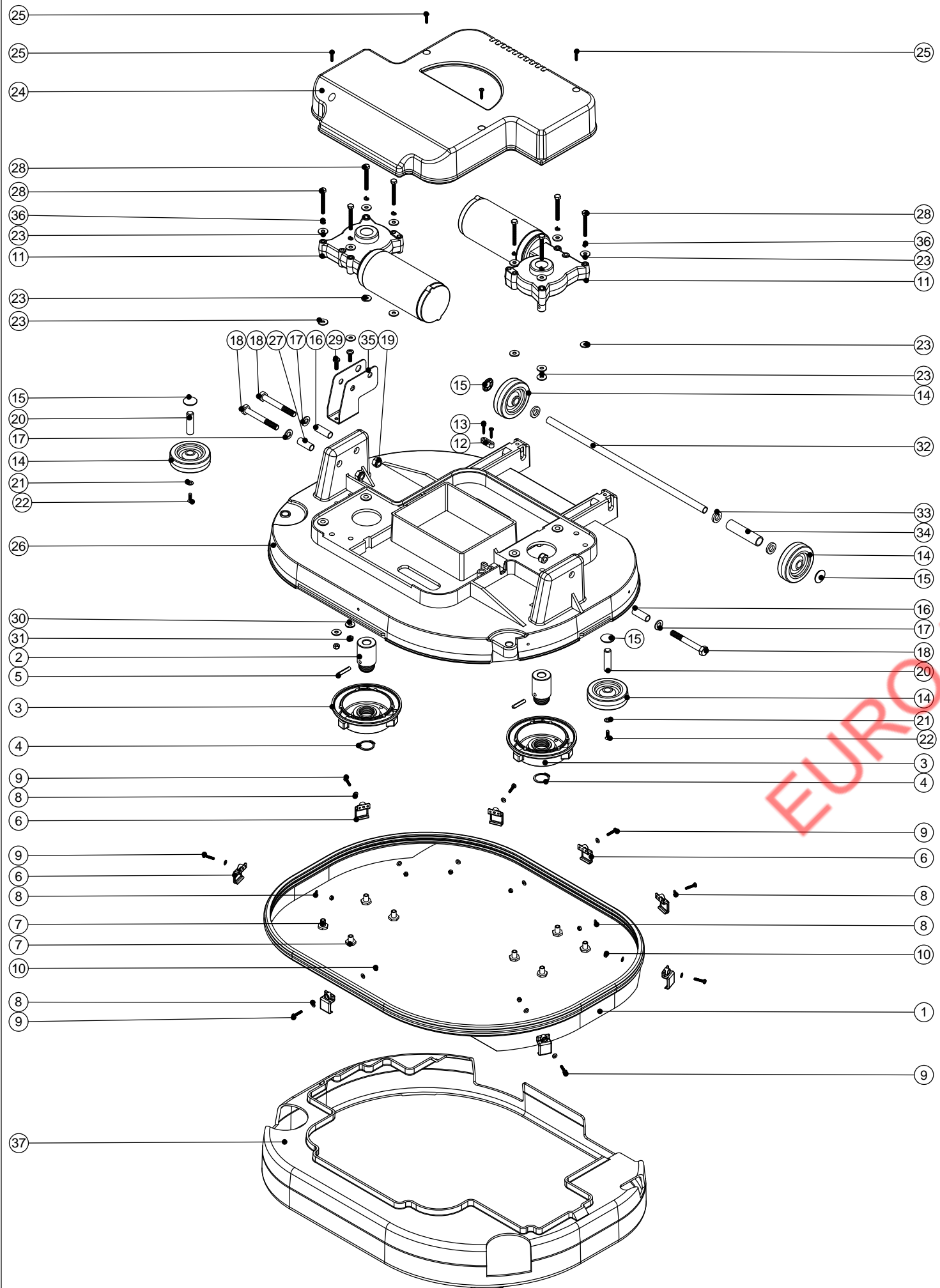


Numatic International Spare Parts

Model No:TTB-665/TTB-6652/TTB-665ST/TTB-6652ST MK3 Base Assembly

234013
DRAWING: EXP-0444 ISS:A07
24/01/2011



Numatic International Spare Parts

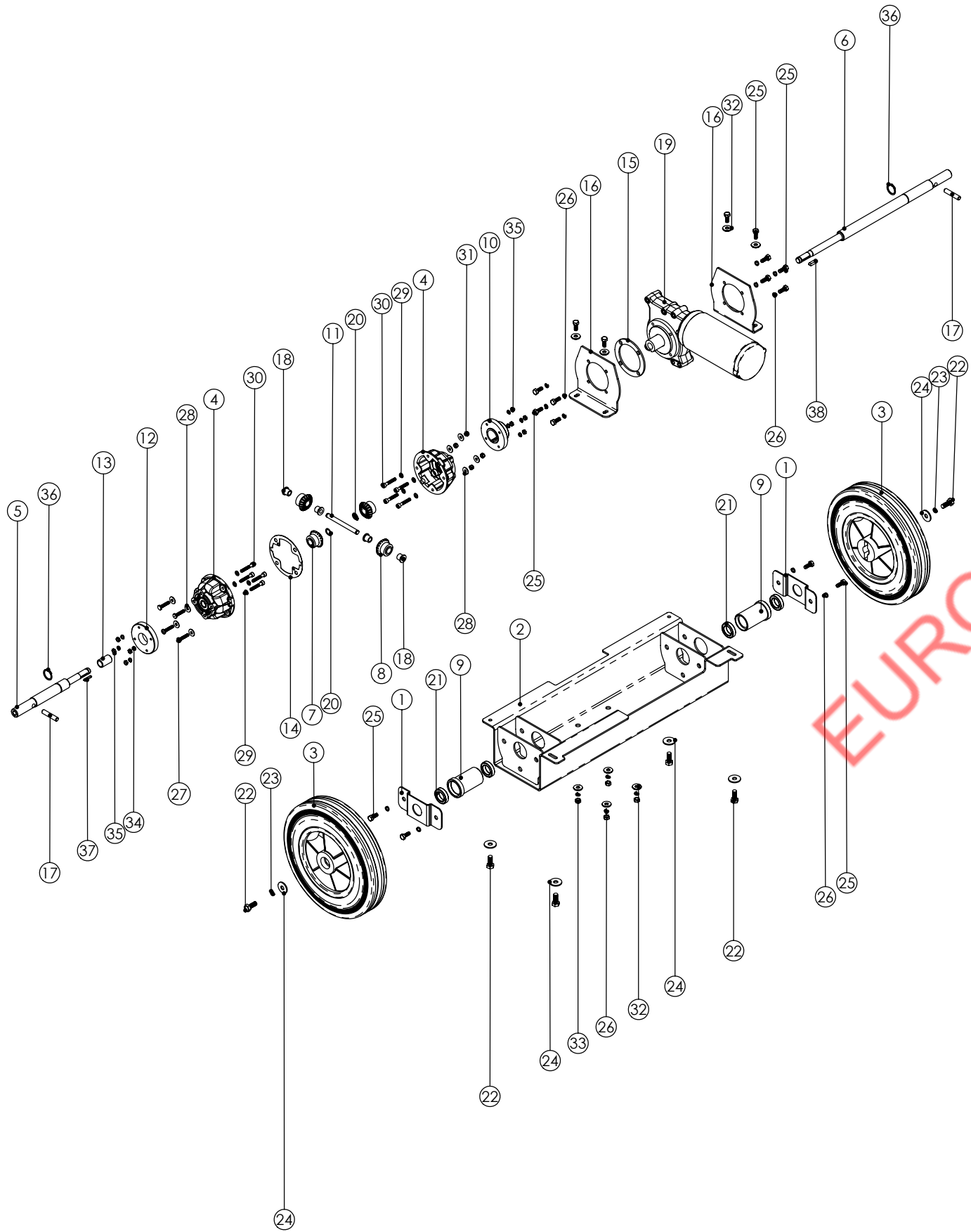
Model No:TTB-665/TTB-6652/TTB-665ST/TTB-6652ST MK3 Base Assembly

POS:	ITEM NO:	DESCRIPTION:	COMMENTS:
1	229373	SPLASTICH SKIRT	TTB-665 / TTB-665ST MACHINES
2	229182	DRIVE SHAFT	
3	230207	CHUCK	
4	230048	26MM EXTERNAL CIRCLIP	
5	219523	GROOVED PIN	
6	229365	FIXING CLIP	TTB-665 / TTB-665ST MACHINES
7	219606	BRACKET SPACER	
8	219688	M4 FORM A STAINLESS STEEL WASHER	TTB-665 / TTB-665ST MACHINES
9	219686	M4 X 20MM LONG STAINLESS STEEL POZI PAN MACHINE SCREW	TTB-665 / TTB-665ST MACHINES
10	219687	M4 STAINLESS STEEL NYLON INSERT NUT	
11	320447	24V DC MOTOR/GEARBOX ASSEMBLY	
12	227008	BLACK CABLE CLAMP	
13	219107	No6 X 5/8 INCH LONG POZI PAN PLASTITE SCREW	
14	204068	3 INCH GREY WHEEL	
15	204021	12.7MM STAINLESS STEEL HUB CAP	
16	390864	35MM LONG TUBE	
17	219449	M10 FORM A WASHER	
18	219446	M10 X 80MM LONG HEX BOLT	
19	219649	M10 NYLON INSERT NUT	
20	206013	BUFFER WHEEL PIN	
21	219560	M6 FORM B STAINLESS STEEL WASHER	
22	219572	M5 X 16MM LONG POZI PAN COUNTERSUNK STAINLESS STEEL SCREW	
23	219008	M6 FORM G WASHER	TTB-665ST / TTB-6652ST MACHINES
24	229375	LID MOULDING	
25	219568	No8 X 3/4 INCH LONG POZI PAN STAINLESS STEEL SCREW	
26	329212	PROCESSED GREY BASE MOULDING	
27	390858	32MM LONG SPACER	
28	219315	M6 X 50MM LONG BOLT	
29	219701	M6 X 20MM LONG POZI PAN STAINLESS STEEL SCREW	
30	219647	M6 FORM G STAINLESS STEEL WASHER	
32	390797	1/2 INCH DIA X 18G STAINLESS STEEL TUBE X 412MM LONG	TTB-665ST / TTB-6652ST MACHINES
31	219642	M6 STAINLESS STEEL NYLON INSERT NUT	TTB-665 / TTB-6652 MACHINES
33	229346	SPACER	
34	390798	19MM O/D X 14G X 78MM LONG STAINLESS STEEL TUBE	TTB-665ST / TTB-6652ST MACHINES
35	303472	LOCKING BRACKET	
36	219718	M6 STAINLESS STEEL SPRING WASHER	
37	229575	PROCESSED SPLASH SKIRT MOULDING	TTB-6652 / TTB-6652ST MACHINES
38	310051	LEMAR MOTOR INTERCHANGEABLE BRUSH SET	2 PER PACK (ITEM NOT SHOWN)

Numatic International Spare Parts

Model No: TTB-665/160ST & TTB-6652/200ST DRIVE ASSEMBLY

234086
DRAWING: EXP-0517 ISS:A02
07/06/2005



Numatic International Spare Parts

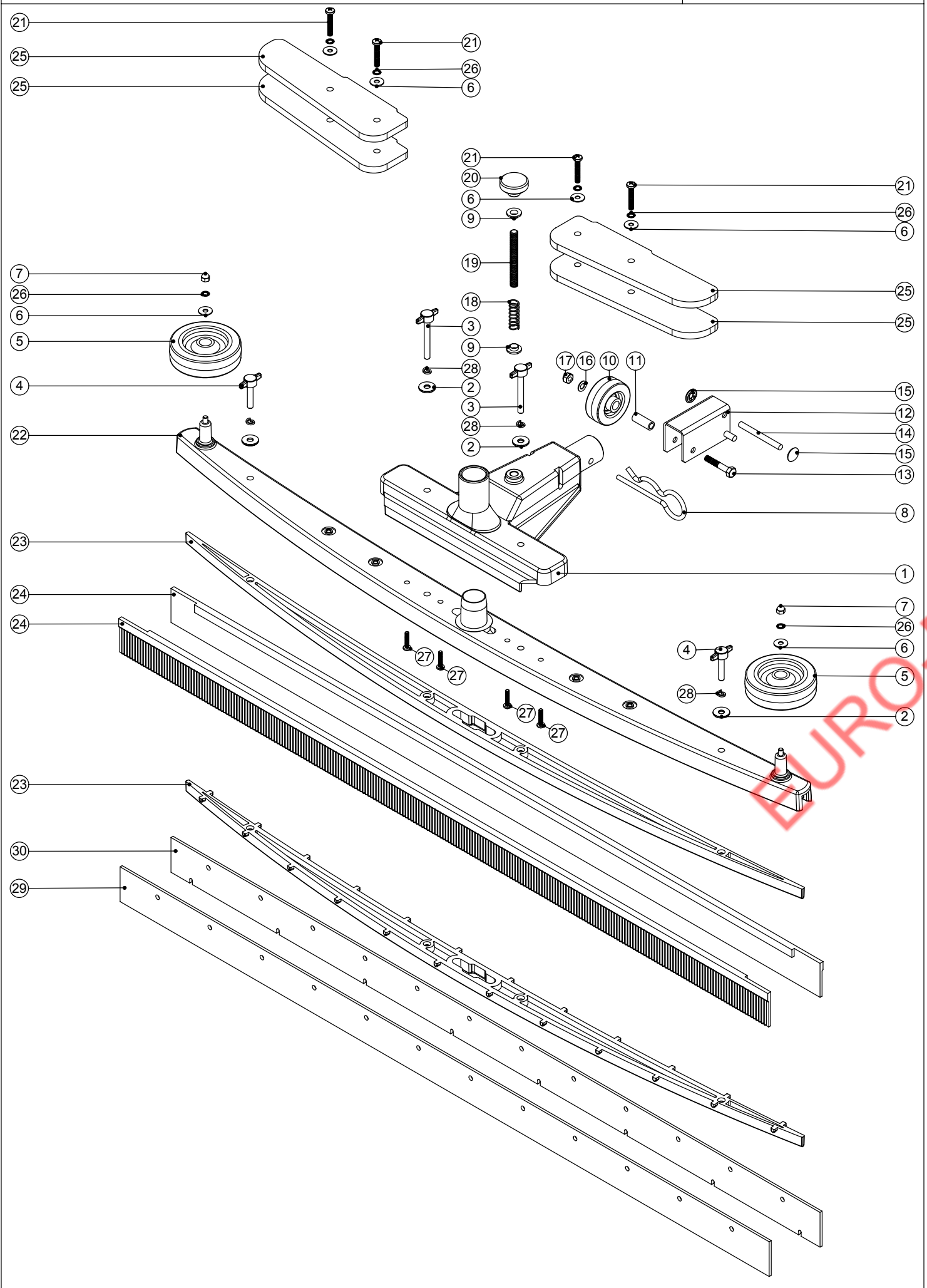
Model No: TTB-665/160ST & TTB-6652/200ST DRIVE ASSEMBLY

POS:	ITEM NO:	DESCRIPTION:	COMMENTS:
1	329196	BEARING FIXING PLATE	
2	329199	TRANSAXLE ASSEMBLY	
3	204082	250MM WHEEL	
4	215224	DIFFERENTIAL CASE MOULDING - DRIVE END	
5	206701	SHORT SHAFT	
6	206702	LONG SHAFT	
7	206502	MITRE GEAR WITH KEYWAY	
8	206503	MITRE GEAR	
9	206703	BEARING BUSH	
10	206704	DRIVE FLANGE	
11	206455	CROSS SHAFT	
12	206706	BEARING RETAINER FLANGE	
13	206707	SHAFT EXTENSION BUSH	
14	202093	DIFFERENTIAL GASKET	
15	329194	SPACER WASHER	
16	329201	MOTOR MOUNTING PLATE	
17	390526	8MM DRIVE PIN	
18	206458	FLANGED OILITE BUSH 8.0 BORE X 12MM LONG X 12MM DIAMETER HPC REF:QFM 10-12	
19	320585	MOTOR ASSEMBLY C/W OVERLOAD	
20	219345	12MM EXTERNAL CIRCLIP	
21	206514	DEEP GROOVE BALL BEARING	
22	219717	M8 X 20MM LONG HEXAGONAL STAINLESS STEEL BOLT	
23	219019	M8 SINGLE COIL SPRING WASHER	
24	219716	M8 FORM G STAINLESS STEEL WASHER	
25	219719	M6 X 16MM LONG HEXAGONAL STAINLESS STEEL HEAD BOLT	
26	219718	M6 STAINLESS STEEL SPRING WASHER	
27	219575	M5 X 25MM LONG POZI PAN STAINLESS STEEL SCREW	
28	219644	M5 FORM G STAINLESS STEEL WASHER	
29	219355	M5 FORM A STAINLESS STEEL WASHER	
30	219726	M5 X30MM LONG STAINLESS STEEL CAP HEAD SCREW	
31	219633	M5 STAINLESS STEEL NYLON INSERT NUT	
32	219647	M6 FORM G STAINLESS STEEL WASHER	
33	219499	M6 STAINLESS STEEL FULL NUT	
34	219648	M5 SINGLE COIL WASHER	
35	219721	M5 STAINLESS STEEL FULL NUT	
36	219724	20MM EXTERNAL CIRCLIP	
37	206456	3MM X 3MM X 20mm FEATHER KEY	
38	206457	5MM X 5MM X 20MM FEATHER KEY	

Numatic International Spare Parts

Model No: Large Semi Parabolic Floor Tool: TTA-94B/95B & 606070

234126
DRAWING: EXP-0557 ISS:A04
26/07/2005



Numatic International Spare Parts

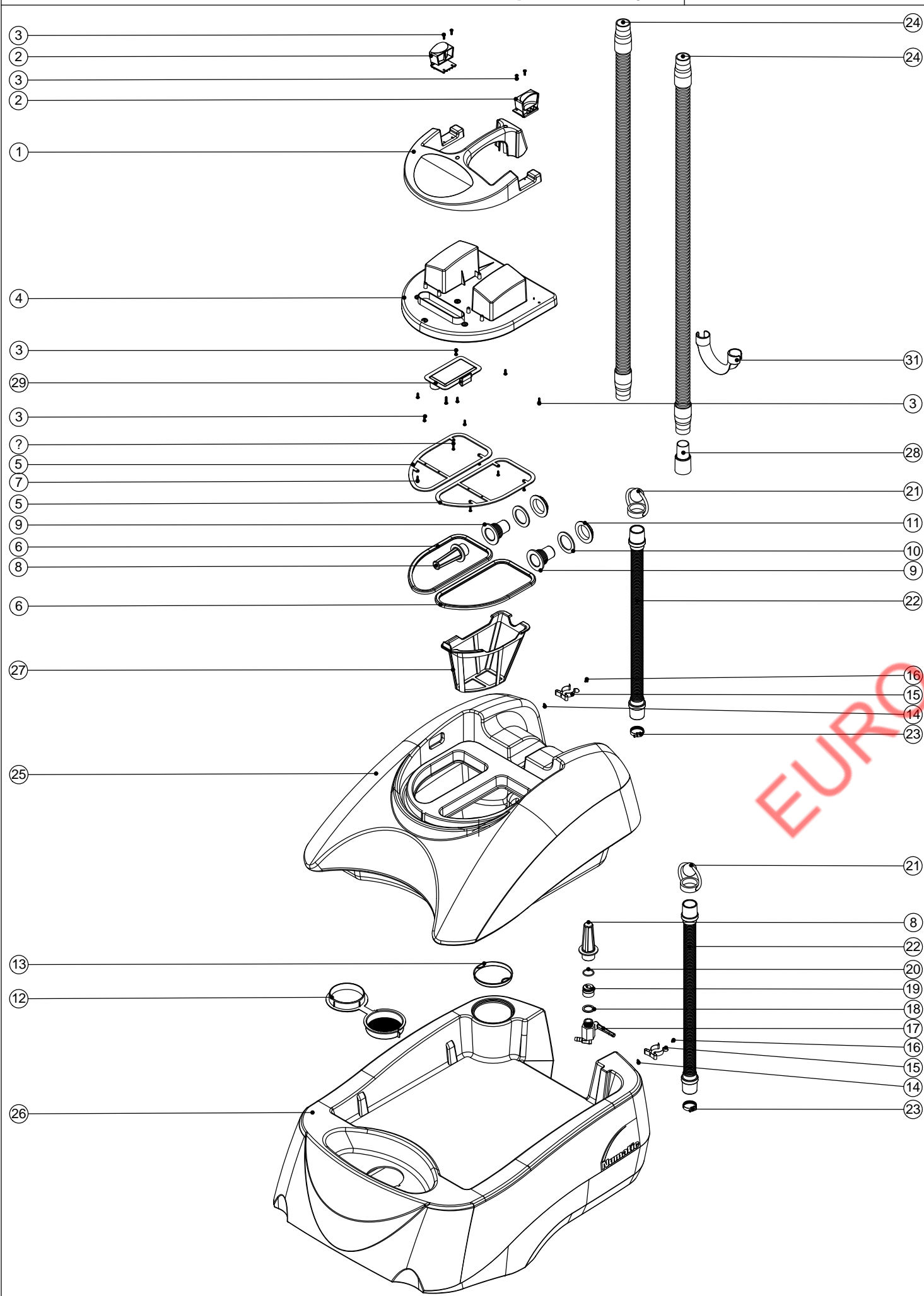
Model No: Large Semi Parabolic Floor Tool: TTA-94B/95B & 606070

POS:	ITEM NO:	DESCRIPTION:	COMMENTS:
1	301193	CENTRE MOULDING PLUS INSERT DRILLED	
2	219647	M6 FORM G STAINLESS STEEL WASHER	
3	301195	M6 X 50MM TEE KNOB ASSEMBLY	
4	301194	M6 X 30MM TEE KNOB ASSEMBLY	
5	204068	3 INCH GREY WHEEL	
6	219644	M5 FORM G STAINLESS STEEL WASHER	
7	219645	M5 STAINLESS STEEL DOME NUT	
8	229295	RETAINING PIN	
9	219417	UNIFIED M/C SCREW INSULATOR	
10	215006	2" FLO WHEEL BLACK (GREY TYRE)	
11	204023	24MM FLO WHEEL INSERT	
12	329673	HEIGHT ADJUSTOR BRACKET WELDED ASSEMBLY	
13	219064	M6 X 35MM LONG HEX BOLT	
14	390401	6MM DIA X 60MM LONG STAINLESS STEEL BAR	
15	219402	6MM STAINLESS STARLOCK WASHER + CAP	
16	219007	M6 FORM B WASHER	
17	219642	M6 STAINLESS STEEL NYLON INSERT NUT	
18	219312	COMPRESSION SPRING	
19	229283	HEIGHT ADJUSTMENT SHAFT	
20	215008	ADJUSTING KNOB	
21	219720	M5 X 30MM LONG STAINLESS STEEL POZI PAN SCREW	
22	214107	EXTRA LARGE TOP MOULDING C/W INSERTS	
23	214108	EXTRA LARGE BOTTOM MOULDING C/W INSERTS	TTA-94B / TTA-95B
	229477	EXTRA LARGE BOTTOM MOULDING WITH LUGS C/W INSERTS	606070 FLOOR TOOL
24	217281	RUBBER BLADE	TTA-94B / TTA-95B
25	429070	WEIGHT (PAINTED SILVER)	TTA-95B / 606070 FLOOR TOOL
26	219016	M5 SHAKEPROOF WASHER	
27	219568	No8 X 3/4 INCH LONG POZI PAN STAINLESS STEEL SCREW	
28	219718	M6 STAINLESS STEEL SPRING WASHER	
29	217291	POLYURETHANE BACK BLADE 970MM LONG	606070 FLOOR TOOL
30	217290	POLYURETHANE FRONT BLADE 970MM LONG	606070 FLOOR TOOL

Numatic International Spare Parts

Model No:TT-6650/TTB-6652/TTB-6652ST Tank/Separator Assy

234337
DRAWING: EXP-0768 ISS:A04
11/05/2010



Numatic International Spare Parts

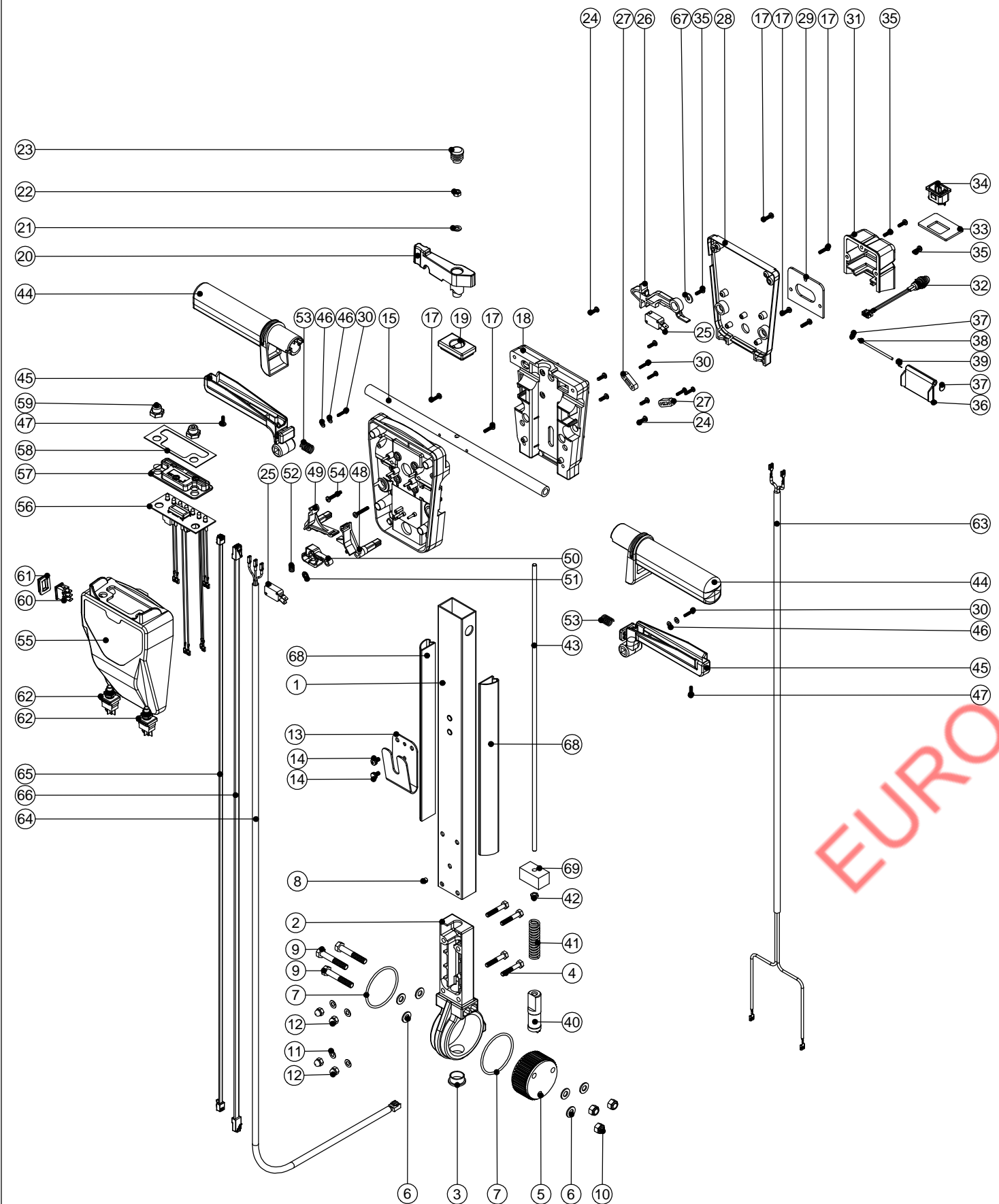
Model No:TT-6650/TTB-6652/TTB-6652ST Tank/Separator Assy

POS:	ITEM NO:	DESCRIPTION:	COMMENTS:
1	229493	SEPARATOR TOP	
2	229494	CLIP MOULDING	
3	219569	No8 X 1/2 INCH LONG POZI PAN STAINLESS STEEL PLASTITE SCREW	
4	303604	PROCESSED SEPARATOR MOULDING (S TYPE)	
5	329408	GASKET SUPPORT RING	
6	202110	SEALING GASKET	
7	219852	NO6 X 1/2 LONG POZI PAN STAINLESS STEEL SELF TAP SCREW	
8	206265	BARREL FILTER	
9	206228	DRAIN HOSE CONNECTOR	
10	219310	RUBBER WASHER	
11	206116	BLACK NUT	
12	229282	FILTER CAP	
13	219452	100MM DIAMETER HOLE PLUG	
14	219688	M4 FORM A STAINLESS STEEL WASHER	
15	219665	TOOL CLIP	
16	219697	M4 X 8MM LONG POZI PAN STAINLESS STEEL SCREW	
17	206597	TANK TAP	
18	202067	SEALING GASKET	
19	206274	FILTER CONNECTOR	
20	219626	23MM I/D X 2.5MM SECTION O RING	
21	206111	HOSE CLOSURE	
22	213019	DUMP HOSE ASSEMBLY	
23	219674	30/40MM DIAMETER STAINLESS STEEL JUBILEE CLIP	
24	206696	1200MM LONG SUCTION HOSE	TT-6650 MACHINES
	206698	1500MM LONG HOSE ASSEMBLY	TTB-6652/TTB-6652ST MACHINES
25	229566	BLUE TOP TANK MOULDING (MAINS & BATTERY MACHINES)	
26	229567	BLUE BOTTOM TANK MOULDING (MAINS MACHINES)	TT-6650 MACHINES
	229568	BLUE BOTTOM TANK MOULDING (BATTERY MACHINES)	TTB-6652/TTB-6652ST MACHINES
27	207000	GRIT FILTER BASKET	
28	237220	38/32MM ADAPTOR	
29	237090	SEPARATOR FLOAT MOULDING (MK 2)	
30	219568	No8 X 3/4 INCH LONG POZI PAN STAINLESS STEEL SCREW	
31	206512	HOSE HOOK	TTB-6652/TTB-6652ST MACHINES

Numatic International Spare Parts

Model No: TTB-6652 Handle Assembly

234350
DRAWING: EXP-0781 ISS:A04
01/02/2012



Numatic International Spare Parts

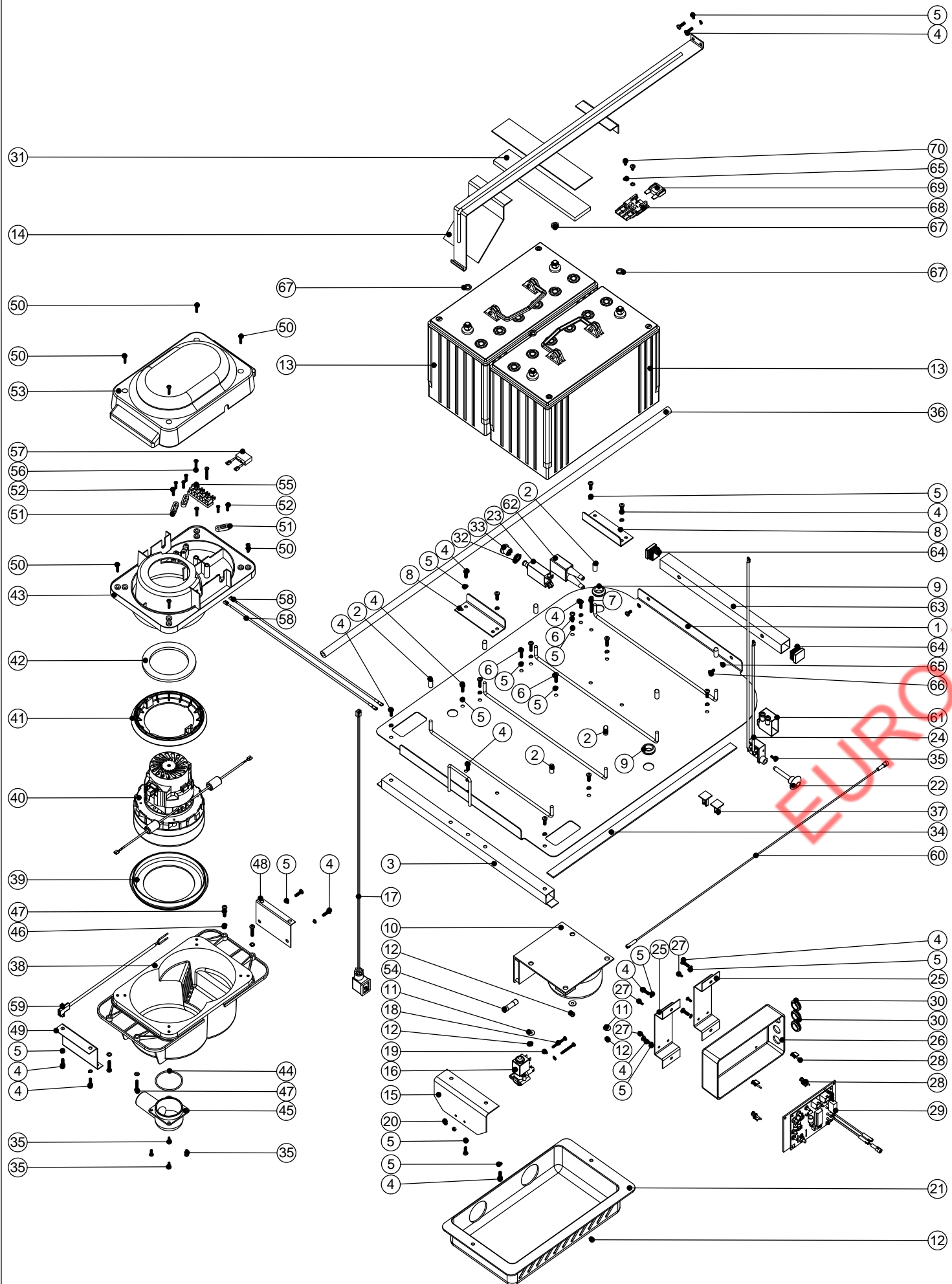
Model No: TTB-6652 Handle Assembly

POS:	ITEM NO:	DESCRIPTION:	COMMENTS:
1	429052	500MM PAINTED PROCESSED ALUMINIUM HANDLE	
2	229081	HANDLE CASTING MACHINED	
3	229099	25MM DIA HOLE PLUG	
4	219064	M6 X 35MM LONG HEX BOLT	
5	229074	ADJUSTMENT GEAR	
6	219010	M8 FORM A WASHER	
7	219254	O RING 3MM DIA X 60MM I/D	
8	229009	BLANKING PLUG	
9	219091	M8 X 50MM LONG HEX BOLT	
10	219078	M8 NYLON INSERT NUT	
11	219007	M6 FORM B WASHER	
12	219080	M6 DOMENUT	
13	329397	SEPARATOR HANGING BRACKET	
14	219047	M5 X 10MM LONG POZI PAN SEMS SCREW	
15	338269	CROSS TUBE	
16	227576	FRONT INNER HALF MOULDING	
	229508	FRONT INNER HALF MOULDING	FLAME RETARDANT CSA SPEC
17	219105	No8 X 5/8 INCH LONG POZI PAN PLASTITE SCREW	
18	227577	REAR INNER HALF MOULDING	
	229509	REAR INNER HALF MOULDING	FLAME RETARDANT CSA SPEC
19	227582	HANDLE PLUG MOULDING	
20	227583	ADJUSTMENT LEVER MOULDING	
21	219493	M6 NYLON WASHER	
22	219642	M6 STAINLESS STEEL NYLON INSERT NUT	
23	20638V	19MM BLACK TUBE END STOP	
24	219101	No8 X 1/2 INCH LONG POZI PAN PLASTITE SCREW	
25	229483	SNAP ACTION SWITCH	
26	227584	INTERLOCK LEVER MOULDING	
27	227008	BLACK CABLE CLAMP	
28	303509	MODIFIED REAR COVER	
	303628	MODIFIED REAR COVER	FLAME RETARDANT CSA SPEC
29	202105	SOCKET COVER SEALING GASKET	
30	219107	No6 X 5/8 INCH LONG POZI PAN PLASTITE SCREW	
31	227679	SOCKET COVER MOULDING C/W LARGE MOULDED HOLE (NO PROCESSED HOLES)	
	303629	SOCKET COVER	FLAME RETARDANT CSA SPEC
32	270193	NEON INDICATOR RED LENS 230V C/W LINK WIRES	
	270195	NEON INDICATOR RED LENS 120V C/W LINK WIRES	
33	329297	SOCKET MOUNTING PLATE	
34	220408	APPLIANCE SOCKET	
35	219601	No8 X 3/8 INCH LONG POZI PAN PLASTITE SCREW	
36	227781	FLAP MOULDING	
37	219832	3MM DIAMETER STARLOCK	
38	390979	72MM LONG X 3MM DIAMETER STAINLESS STEEL BAR	
39	219819	TORSION SPRING	
40	229073	GEAR LOCKING PIN	
41	229138	SPRING	
42	219099	M6 HALF NUT	
43	229462	510MM HANDLE LOCKING ROD	
44	227580	HAND GRIP MOULDING	
45	229500	TRIGGER MOULDING BLUE	
46	219206	M4 FORM A WASHER	
47	219270	No8 X 1/2 INCH LONG POZI PAN SELF TAP SCREW	
48	227585	LEFT HAND SWITCH OPERATING LEVER MOULDING	
49	227586	RIGHT HAND SWITCH OPERATING LEVER MOULDING	
50	227587	CENTRE SWITCH OPERATING LEVER MOULDING	
51	219805	4MM SPIREFIX	
52	219804	SWITCH COMPRESSION SPRING	
53	219803	TRIGGER COMPRESSION SPRING	
54	219811	NO8 X 1 INCH LONG POZI-PAN SELF TAP SCREW	
55	229754	BATTERY FRONT COVER (AUX VAC SWITCH HOLE)	
	229755	FRONT COVER MOULDING (BATTERY)	FLAME RETARDANT CSA SPEC
56	205071	MK2 LED/SWITCH PANEL	
57	206316	LENS MOULDING	
58	220725	SELF ADHESIVE LENS GASKET	
59	220600	SWITCH COVER	
60	220729	RED ROCKER SWITCH	
61	220246	PROTECTIVE COVER	
62	220597	PUSH BUTTON SWITCH	
63	320815	AC CHARGING LEAD ASSEMBLY	
	320817	AC CHARGING LEAD ASSEMBLY	CSA SPEC
	220620	AC CHARGING LEAD ASSEMBLY	AUSTRALIAN SPEC
64	320459	VAC FUNCTION LEAD ASSEMBLY	
65	220713	6 WAY CABLE	
66	220712	8 WAY CABLE	
67	219005	M5 FORM G WASHER	
68	391075	305MM LONG CUT SELF ADHESIVE CABLE DUCTING	
69	229030	ANTI VIBRATION PAD	

Numatic International Spare Parts

Model No:TTB-6652/100 Vac Pod & Electrical Assembly

234351
DRAWING: EXP-0782 ISS:A06
15/04/2009



Numatic International Spare Parts

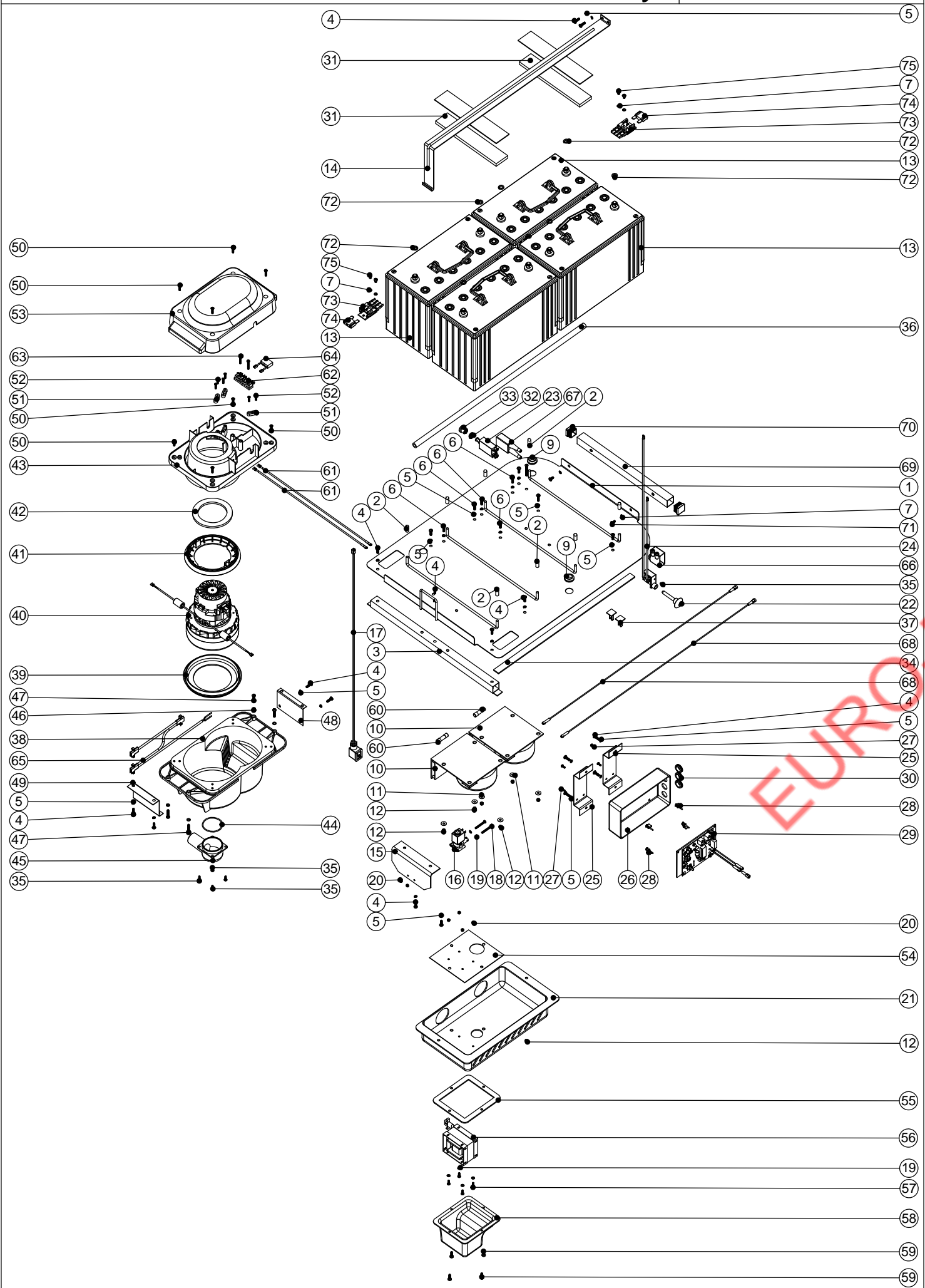
Model No:TTB-6652/100 Vac Pod & Electrical Assembly

POS:	ITEM NO:	DESCRIPTION:	COMMENTS:
1	429038	BLACK BATTERY TRAY WELDED ASSEMBLY	
2	229006	END TIP	
3	329662	TRAY SUPPORT TUBE WELDED ASSEMBLY	
4	219547	M5 X 16MM LONG POZI PAN STAINLESS STEEL SCREW	
5	219648	M5 SINGLE COIL WASHER	
6	219571	M5 X 20MM LONG POZI PAN STAINLESS STEEL SCREW	
7	219650	M5 X 40MM LONG POZI PAN STAINLESS STEEL COUNTERSUNK SCREW	
8	404009	BLACK BATTERY LOCATION BRACKET	
9	219934	GROMMET	
10	220752	CHARGER UNIT (230V)	STANDARD SPEC MACHINE
	220753	CHARGER UNIT (120V)	STANDARD SPEC MACHINE
	220754	CHARGER UNIT (100V)	STANDARD SPEC MACHINE
	304187	CHARGER UNIT (120V)	CSA SPEC MACHINE
11	219644	M5 FORM G STAINLESS STEEL WASHER	
12	219633	M5 STAINLESS STEEL NYLON INSERT NUT	
13	230138	98 A/H STUD TERMINAL GEL TYPE BATTERY	
14	429039	BLACK BATTERY STRAP WELDED ASSEMBLY	
15	329643	SOLENOID MOUNTING BRACKET	
16	220379	24V D.C. SOLENOID VALVE	
17	220716	SOLENOID VALVE LEAD	
18	219703	M4 X 35MM LONG STAINLESS STEEL POZI PAN SCREW	
19	219206	M4 FORM A WASHER	
20	219083	M4 NYLON INSERT NUT	
21	229269	CHARGER COVER	
22	220681	ISOLATOR KNOB	
23	230092	55 AMP CIRCUIT BREAKER	
24	329123	ISOLATOR BLOCK ASSEMBLY	
25	329638	PCB MOUNTING PLATE	
26	229268	P.C.B. COVER	
27	219301	No6 X 3/8 INCH LONG POZI PAN SELF TAP SCREW	
28	220595	PCB QUICK RELEASE STAND OFF	
29	220891	CONTROL PCB	
30	219631	19MM GROMMET	
31	229303	BATTERY PLATE PAD	
32	229271	SPLASH COVER	
33	229270	ACTUATOR EXTENSION	
34	212024	INSEAL	
35	219569	No8 X 1/2 INCH LONG POZI PAN STAINLESS STEEL PLASTITE SCREW	
36	329122	760MM LONG SILICON TUBE	
37	219464	CLIP (24MM HIGH)	
38	229204	BOTTOM MOTOR HOUSING	STANDARD SPEC MACHINE
	227231	BOTTOM MOTOR HOUSING	CSA SPEC MACHINE
39	202111	BOTTOM MOTOR GASKET	
40	321106	24V D.C BP MOTOR ASSEMBLY	
41	202107	TOP MOTOR GASKET	
42	202078	MOTOR CAP GASKET	
43	229998	VAC POD TOP MOTOR HOUSING C/W TAPPEX	STANDARD SPEC MACHINE
	229993	VAC POD TOP MOTOR HOUSING C/W TAPPEX	CSA SPEC MACHINE
44	219561	51.6MM I/D O RING	
45	229207	INLET TUBE	
46	219003	M5 FORM A STEEL WASHER	
47	219575	M5 X 25MM LONG POZI PAN STAINLESS STEEL SCREW	
48	329640	REAR VAC POD MOUNTING BRACKET	
49	329641	FRONT VAC POD MOUNTING BRACKET	
50	219568	No8 X 3/4 INCH LONG POZI PAN STAINLESS STEEL SCREW	
51	227008	BLACK CABLE CLAMP	
52	219107	No6 X 5/8 INCH LONG POZI PAN PLASTITE SCREW	
53	229206	VAC POD TOP COVER MOULDING	STANDARD SPEC MACHINE
	227233	VAC POD TOP COVER MOULDING	CSA SPEC MACHINE
54	220993	16 AMP FUSE	STANDARD SPEC MACHINE
	220666	20 AMP FUSE	CSA SPEC MACHINE
55	220204	TERMINAL BLOCK	
56	219321	M4 X 30MM LONG POZI PAN SCREW	
57	220834	SUPPRESSOR ASSEMBLY	
58	320570	400MM LONG YELLOW LINK WIRE	
59	220837	A.C. CHARGING LEAD	STANDARD SPEC MACHINE
	220838	A.C. CHARGING LEAD	CSA SPEC MACHINE
60	220715	700MM LONG RED CONTROL BOARD LINK WIRE	
61	216267	ISOLATOR INSULATION BOOT	
62	216266	INSULATION BOOT	
63	329473	350MM LONG X 1.2MM THICK X 25MM X 25MM SQUARE STAINLESS STEEL BOX SECTION TUBE (NUTSERTED)	
64	20662V	1 INCH SQUARE BLACK TUBE END STOP	
65	219016	M5 SHAKEPROOF WASHER	
66	219668	M5 X 10MM LONG POZI PAN STAINLESS STEEL SCREW	
67	219899	M10 SINGLE COIL STAINLESS STEEL WASHER	
68	230102	FUSE HOLDER RATED AT 60 AMPS	
69	230103	70 MAXI AMP FUSE	
70	219864	M5 X 8MM LONG POZI PAN SCREW	

Numatic International Spare Parts

Model No:TTB-6652/200 Vac Pod & Electrical Assembly

234352
DRAWING: EXP-0783 ISS:A06
15/04/2009



Numatic International Spare Parts

Model No:TTB-6652/200 Vac Pod & Electrical Assembly

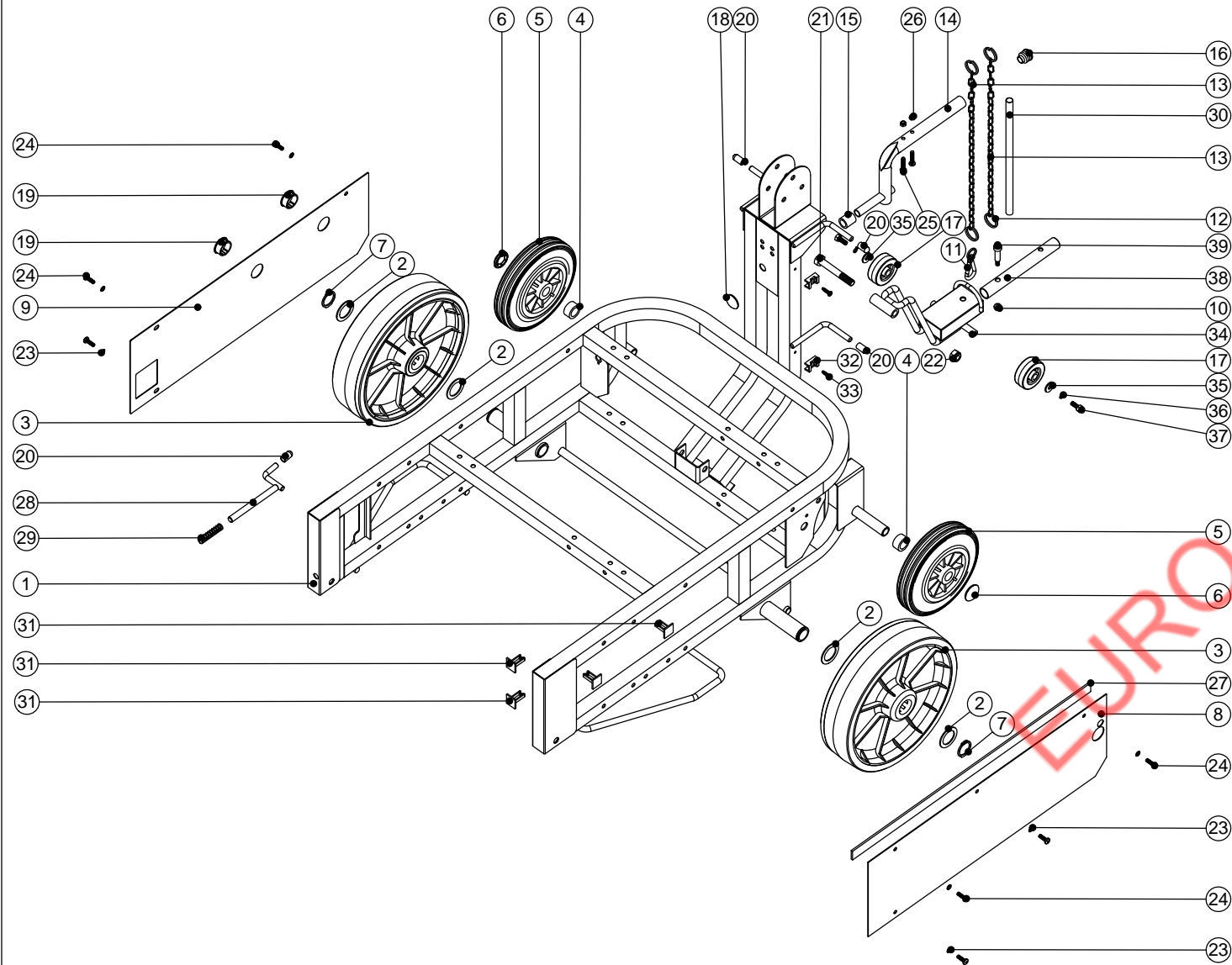
POS:	ITEM NO:	DESCRIPTION:	COMMENTS:
1	429038	BLACK BATTERY TRAY WELDED ASSEMBLY	
2	229006	END TIP	
3	329662	TRAY SUPPORT TUBE WELDED ASSEMBLY	
4	219547	M5 X 16MM LONG POZI PAN STAINLESS STEEL SCREW	
5	219648	M5 SINGLE COIL WASHER	
6	219571	M5 X 20MM LONG POZI PAN STAINLESS STEEL SCREW	
7	219016	M5 SHAKEPROOF WASHER	
8	219650	M5 X 40MM LONG POZI PAN STAINLESS STEEL COUNTERSUNK SCREW	
9	219934	GROMMET	
10	220752	CHARGER UNIT (230V)	STANDARD SPEC MACHINES
	220753	CHARGER UNIT (120V)	STANDARD SPEC MACHINES
	220754	CHARGER UNIT (100V)	STANDARD SPEC MACHINES
	304187	CHARGER UNIT (120V)	CSA SPEC MACHINES
11	219644	M5 FORM G STAINLESS STEEL WASHER	
12	219633	M5 STAINLESS STEEL NYLON INSERT NUT	
13	230138	98 A/H STUD TERMINAL GEL TYPE BATTERY	
14	429034	BLACK BATTERY STRAP WELDED ASSEMBLY	
15	329643	SOLENOID MOUNTING BRACKET	
16	220379	24V D.C. SOLENOID VALVE	
17	220716	SOLENOID VALVE LEAD	
18	219703	M4 X 35MM LONG STAINLESS STEEL POZI PAN SCREW	
19	219206	M4 FORM A WASHER	
20	219083	M4 NYLON INSERT NUT	
21	229304	CHARGER COVER	
22	220681	ISOLATOR KNOB	
23	230092	55 AMP CIRCUIT BREAKER	
24	329123	ISOLATOR BLOCK ASSEMBLY	
25	329638	PCB MOUNTING PLATE	
26	229268	P.C.B. COVER	
27	219301	No6 X 3/8 INCH LONG POZI PAN SELF TAP SCREW	
28	220595	PCB QUICK RELEASE STAND OFF	
29	220891	CONTROL PCB	
30	219631	19MM GROMMET	
31	229303	BATTERY PLATE PAD	
32	229271	SPLASH COVER	
33	229270	ACTUATOR EXTENSION	
34	212024	INSEAL	
35	219569	No8 X 1/2 INCH LONG POZI PAN STAINLESS STEEL PLASTITE SCREW	
36	329462	660MM LONG SILICON TUBE	
37	219464	CLIP (24MM HIGH)	
38	229204	BOTTOM MOTOR HOUSING	STANDARD SPEC MACHINES
	227231	BOTTOM MOTOR HOUSING	CSA SPEC MACHINES
39	202111	BOTTOM MOTOR GASKET	
40	321106	24V D.C BP MOTOR ASSEMBLY	
41	202107	TOP MOTOR GASKET	
42	202078	MOTOR CAP GASKET	
43	229998	VAC POD TOP MOTOR HOUSING C/W TAPPEX	STANDARD SPEC MACHINES
	229993	VAC POD TOP MOTOR HOUSING C/W TAPPEX	CSA SPEC MACHINES
44	219561	51.6MM I/D O RING	
45	229207	INLET TUBE	
46	219003	M5 FORM A STEEL WASHER	
47	219575	M5 X 25MM LONG POZI PAN STAINLESS STEEL SCREW	
48	329640	REAR VAC POD MOUNTING BRACKET	
49	329641	FRONT VAC POD MOUNTING BRACKET	
50	219568	No8 X 3/4 INCH LONG POZI PAN STAINLESS STEEL SCREW	
51	227008	BLACK CABLE CLAMP	
52	219107	No6 X 5/8 INCH LONG POZI PAN PLASTITE SCREW	
53	229206	VAC POD TOP COVER MOULDING	STANDARD SPEC MACHINES
	227233	VAC POD TOP COVER MOULDING	CSA SPEC MACHINES
54	329666	CHOKE MOUNTING PLATE	
55	229302	CHOKE GASKET	
56	220731	CHOKE	
57	221151	M4 X 12MM LONG POZI PAN SCREW	
58	229301	CHOKE COVER	
59	219636	M5 X 16MM LONG NYLON SLOTTED P/H SCREW	
60	220993	16 AMP FUSE	STANDARD SPEC MACHINES
	220666	20 AMP FUSE	CSA SPEC MACHINES
61	320570	400MM LONG YELLOW LINK WIRE	
62	220204	TERMINAL BLOCK	
63	219321	M4 X 30MM LONG POZI PAN SCREW	
64	220834	SUPRESSOR ASSEMBLY	
65	220833	A.C. CHARGING LEAD (WITH CHOKE CONNECTION)	STANDARD SPEC MACHINES
	220832	A.C. CHARGING LEAD	120V CSA SPEC MACHINES
	220835	A.C. CHARGING LEAD	120V STANDARD SPEC MACHINES
66	216267	ISOLATOR INSULATION BOOT	
67	216266	INSULATION BOOT	
68	220715	700MM LONG RED CONTROL BOARD LINK WIRE	
69	329473	350MM LONG X 1.2MM THICK X 25MM X 25MM SQUARE STAINLESS STEEL BOX SECTION TUBE (NUTSERTED)	
70	20662V	1 INCH SQUARE BLACK TUBE END STOP	
71	219668	M5 X 10MM LONG POZI PAN STAINLESS STEEL SCREW	
72	219899	M10 SINGLE COIL STAINLESS STEEL WASHER	
73	230102	FUSE HOLDER RATED AT 60 AMPS	
74	230103	70 MAXI AMP FUSE	
75	219864	M5 X 8MM LONG POZI PAN SCREW	

Numatic International Spare Parts

Model No: TTB-6652 Chassis Assembly

234353
DRAWING: EXP-0784 ISS:A03
24/11/2009

NB: FOR WIRING SEE DRAWING: WD-0309



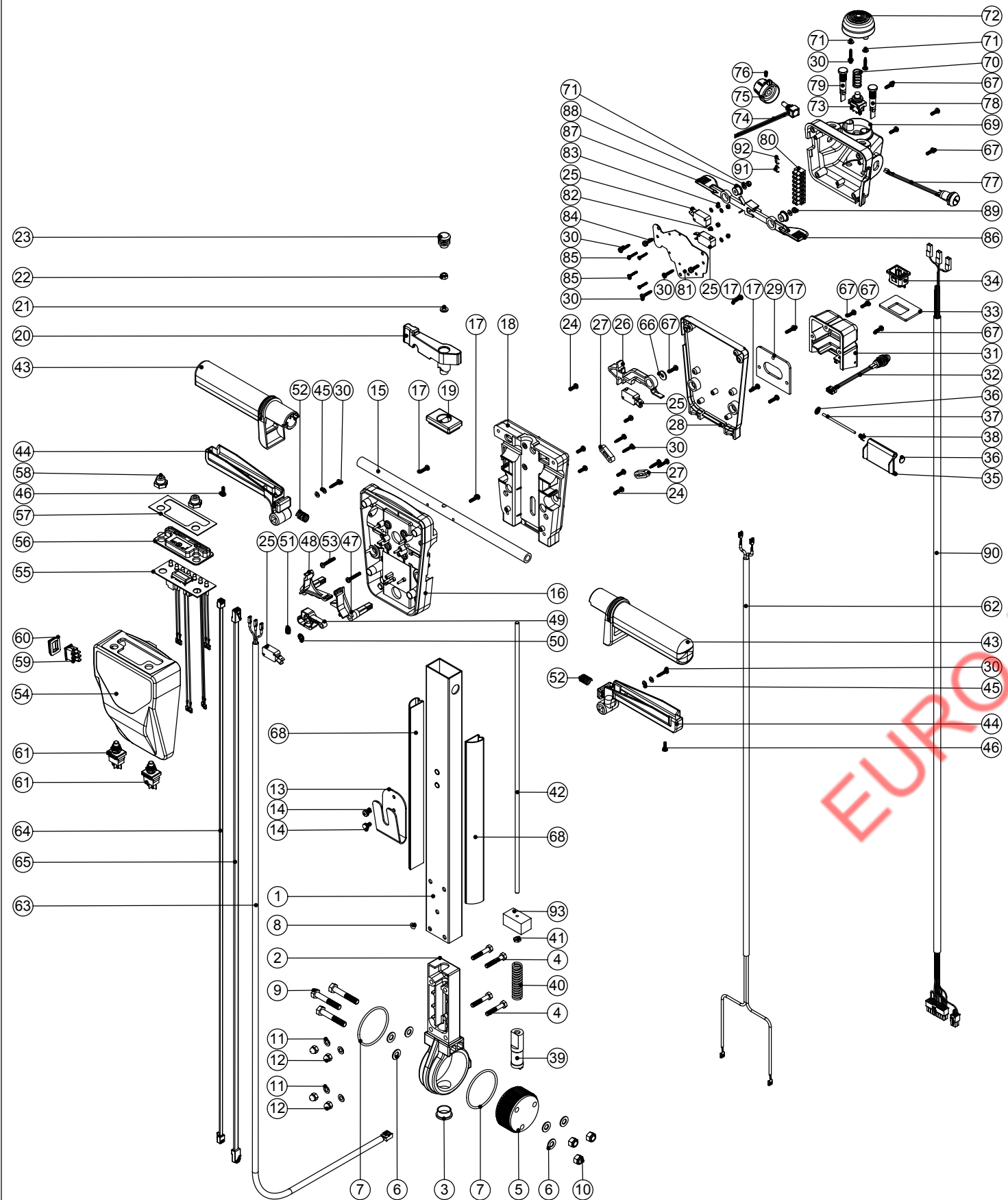
Numatic International Spare Parts

Model No: TTB-6652 Chassis Assembly

POS:	ITEM NO:	DESCRIPTION:	COMMENTS:
1	329994	NUTSERTED CHASSIS ASSEMBLY	
2	303617	25.5MM I/D X 37.0MM O/D WASHER	
3	204079	250MM DIAMETER WHEEL WITH GREY POLYURETHENE TYRE	
4	219545	WHITE SPACER	
5	229049	160MM DIA WHEEL GREY TYRE BLACK HUB	
6	229266	16.0MM CAP	
7	219779	25MM HEAVY DUTY EXTERNAL CIRCLIP	
8	429093	LEFTHAND SIDE PLATE (PAINTED SILVER)	
9	429094	RIGHTHAND SIDE PLATE (PAINTED SILVER)	
10	219642	M6 STAINLESS STEEL NYLON INSERT NUT	
11	229292	50MM SWIVEL HOOK	
12	229293	1 INCH (STAINLESS STEEL) SPLIT RING	
13	229289	1/2 INCH X 16G CHAIN (STAINLESS STEEL) WELDED OVAL LINK	
14	329675	HANDLE WELDED ASSEMBLY	
15	229288	NYLON SPACER	
16	20638V	19MM BLACK TUBE END STOP	
17	215006	2 INCH FLO WHEEL BLACK (GREY TYRE)	
18	204021	12.7MM STAINLESS STEEL HUB CAP	
19	206314	WINDOW PLUG	
20	229240	END TIP	
21	219570	M10 X 70MM LONG HEX BOLT	
22	219649	M10 NYLON INSERT NUT	
23	219016	M5 SHAKEPROOF WASHER	
24	219547	M5 X 16MM LONG POZI PAN STAINLESS STEEL SCREW	
25	219575	M5 X 25MM LONG POZI PAN STAINLESS STEEL SCREW	
26	219633	M5 STAINLESS STEEL NYLON INSERT NUT	
27	212024	3MM X 19MM INSEAL	
28	303483	LOCKING BAR WELDED ASSEMBLY	
29	219873	COMPRESSION SPRING (STAINLESS STEEL)	
30	219660	10MM I/D X 0.5MM WALL BLACK PVC SLEEIVING	
31	219464	CLIP (24MM HIGH)	
32	220904	CABLE CLIP PLATFORM	
33	219036	No8 X 5/8 INCH LONG POZI PAN SELF TAPPING SCREW	
34	303874	ALIMINIUM FLOOR TOOL CONNECTOR WELDED ASSEMBLY	
35	219647	M6 FORM G STAINLESS STEEL WASHER	
36	219718	M6 STAINLESS STEEL SPRING WASHER	
37	219719	M6 X 16MM LONG HEXAGONAL STAINLESS STEEL HEAD BOLT	
38	303854	FLOOR TOOL PIVOT TUBE	
39	219673	M8 X 25MM LONG SOCKET SHOULDER SCREW	

Numatic International Spare Parts
Model No: TTB-6652/200ST Handle Assembly

234354
 DRAWING: EXP-0785 ISS:A02
 07/02/2006



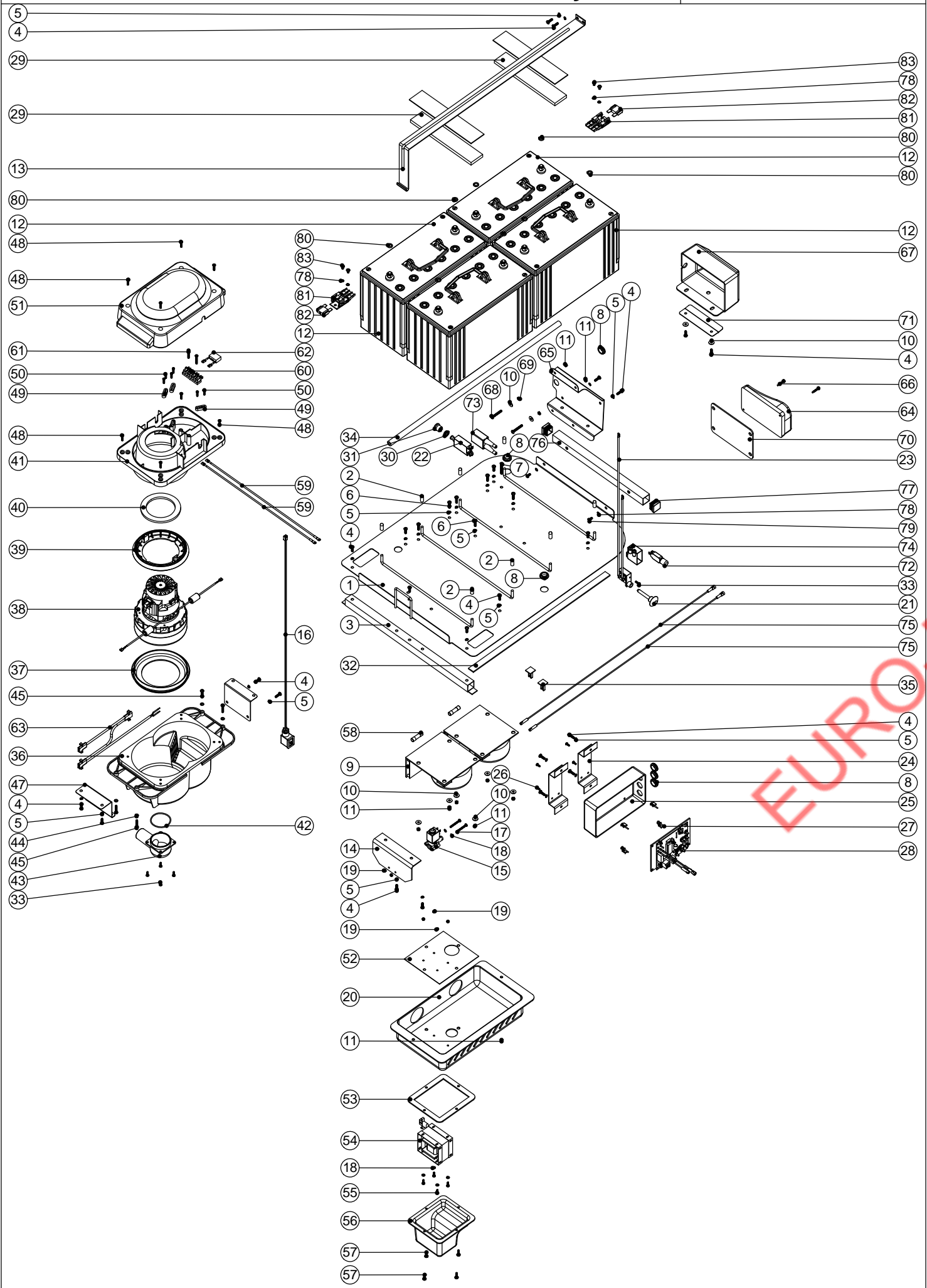
Numatic International Spare Parts
Model No: TTB-6652/200ST Handle Assembly

POS:	ITEM NO:	DESCRIPTION:	COMMENTS:
1	429052	500MM PAINTED PROCESSED ALUMINIUM HANDLE	
2	229081	HANDLE CASTING MACHINED	
3	229099	25MM DIA HOLE PLUG	
4	219064	M6 X 35MM LONG HEX BOLT	
5	229074	ADJUSTMENT GEAR	
6	219010	M8 FORM A WASHER	
7	219254	O RING 3MM DIA X 60MM I/D	
8	229009	BLANKING PLUG	
9	219091	M8 X 50MM LONG HEX BOLT	
10	219078	M8 NYLON INSERT NUT	
11	219007	M6 FORM B WASHER	
12	219080	M6 DOMENUT	
13	329397	SEPARATOR HANGING BRACKET	
14	219047	M5 X 10MM LONG POZI PAN SEMS SCREW	
15	338269	CROSS TUBE	
16	227576	FRONT INNER HALF MOULDING	
	229508	FRONT INNER HALF MOULDING	120V CSA MACHINES
17	219105	No8 X 5/8 INCH LONG POZI PAN PLASTITE SCREW	
18	227577	REAR INNER HALF MOULDING	
	229509	REAR INNER HALF MOULDING	120V CSA MACHINES
19	227582	HANDLE PLUG MOULDING	
20	227583	ADJUSTMENT LEVER MOULDING	
21	219493	M6 NYLON WASHER	
22	219642	M6 STAINLESS STEEL NYLON INSERT NUT	
23	20638V	CSP-302 BLACK TUBE END STOP	
24	219101	No8 X 1/2 INCH LONG POZI PAN PLASTITE SCREW	
25	229483	SNAP ACTION SWITCH	
26	227584	INTERLOCK LEVER MOULDING	
27	227008	BLACK CABLE CLAMP	
28	303568	TRACTION DRIVE REAR HANDLE COVER	
	303640	TRACTION DRIVE REAR HANDLE COVER	120V CSA MACHINES
29	202105	SOCKET COVER SEALING GASKET	
30	219107	No8 X 5/8 INCH LONG POZI PAN PLASTITE SCREW	
31	227679	SOCKET COVER	
	229547	SOCKET COVER	120V CSA MACHINES
32	270193	NEON INDICATOR RED LENS 230V C/W LINK WIRES	
	270195	NEON INDICATOR RED LENS 120V C/W LINK WIRES	120V CSA MACHINES
33	329297	SOCKET MOUNTING PLATE	
34	220408	APPLIANCE SOCKET	
35	227781	FLAP MOULDING	
36	219832	3MM DIAMETER STARLOCK	
37	390979	72MM LONG X 3MM DIAMETER STAINLESS STEEL BAR	
38	219819	TORSION SPRING	
39	229073	GEAR LOCKING PIN	
40	229138	SPRING	
41	219099	M6 HALF NUT	
42	229462	510MM HANDLE LOCKING ROD	
43	227580	HAND GRIP MOULDING	
44	229500	TRIGGER MOULDING BLUE	
45	219206	M4 FORM A WASHER	
46	219270	No8 X 1/2 INCH LONG POZI PAN SELF TAP SCREW	
47	227585	LEFT HAND SWITCH OPERATING LEVER MOULDING	
48	227586	RIGHT HAND SWITCH OPERATING LEVER MOULDING	
49	227587	CENTRE SWITCH OPERATING LEVER MOULDING	
50	219805	4MM SPIREFIX	
51	219804	SWITCH COMPRESSION SPRING	
52	219803	TRIGGER COMPRESSION SPRING	
53	219811	NO8 X 1 INCH LONG POZI-PAN SELF TAP SCREW	
54	227670	FRONT COVER MOULDING (BATTERY)	
	229571	FRONT COVER MOULDING (BATTERY)	120V CSA MACHINES
55	205071	MK2 LED/SWITCH PANEL	
56	206316	LENS MOULDING	
57	220725	SELF ADHESIVE LENS GASKET	
58	220600	SWITCH COVER	
59	220729	RED ROCKER SWITCH	
60	220246	PROTECTIVE COVER	
61	220597	PUSH BUTTON SWITCH	
62	320815	AC CHARGING LEAD ASSEMBLY	
	320817	AC CHARGING LEAD ASSEMBLY	120V CSA MACHINES
	220620	AC CHARGING LEAD ASSEMBLY	AUSTRALIAN MACHINES
63	320459	VAC FUNCTION LEAD ASSEMBLY	
64	220713	6 WAY CABLE	
65	220712	8 WAY CABLE	
66	219005	M5 FORM G WASHER	
67	219601	No8 X 3/8 INCH LONG POZI PAN PLASTITE SCREW	
68	391075	305MM LONG CUT SELF ADHESIVE CABLE DUCTING	
69	227681	TRACTION CONTROL BOX	
70	219816	COMPRESSION SPRING	
71	219688	M4 FORM A STAINLESS STEEL WASHER	
72	227683	EMERGENCY STOP BUTTON	
73	270149	PUSH BUTTON SWITCH	
74	270192	CONTROL POTENTIOMETER 5K C/W LINK WIRES	
75	329363	SPEED ADJUSTMENT KNOB C/W INSERT	
76	219744	M4 X 6MM LONG BLACKODISED GRUB SCREW	
77	270188	KEY SWITCH C/W 2 KEYS & LINK WIRES	
78	270158	LED INDICATOR RED LIGHT 2V / 4.8MM TERMINALS	
79	220849	LED INDICATOR GREEN LIGHT 2V	
80	206580	TERMINAL BLOCK	
81	329298	DIRECTION TRIGGER MOUNTING PLATE	
82	219501	M3 FORM A STAINLESS STEEL WASHER	
83	219070	M3 NYLON INSERT NUT	
84	219472	M4 X 16MM LONG POZI PAN SEMS SCREW	
85	219500	M3 X 16MM LONG STAINLESS STEEL SLOT SCREW	
86	227684	LEFT HAND DIRECTION TRIGGER	
87	227685	RIGHT HAND DIRECTION TRIGGER	
88	206579	SHOULDERED SPACER	
89	219687	M4 NYLON INSERT STAINLESS STEEL NUT	
90	236061	9 CORE CABLE ASSEMBLY	
91	270203	1K8 RESISTOR	
92	270209	2K2 RESISTOR	
93	229030	ANTI VIBRATION PAD	

Numatic International Spare Parts

Model No: TTB-6652/200ST Electrical Assembly

234355
DRAWING: EXP-0786 ISS:A05
15/04/2009



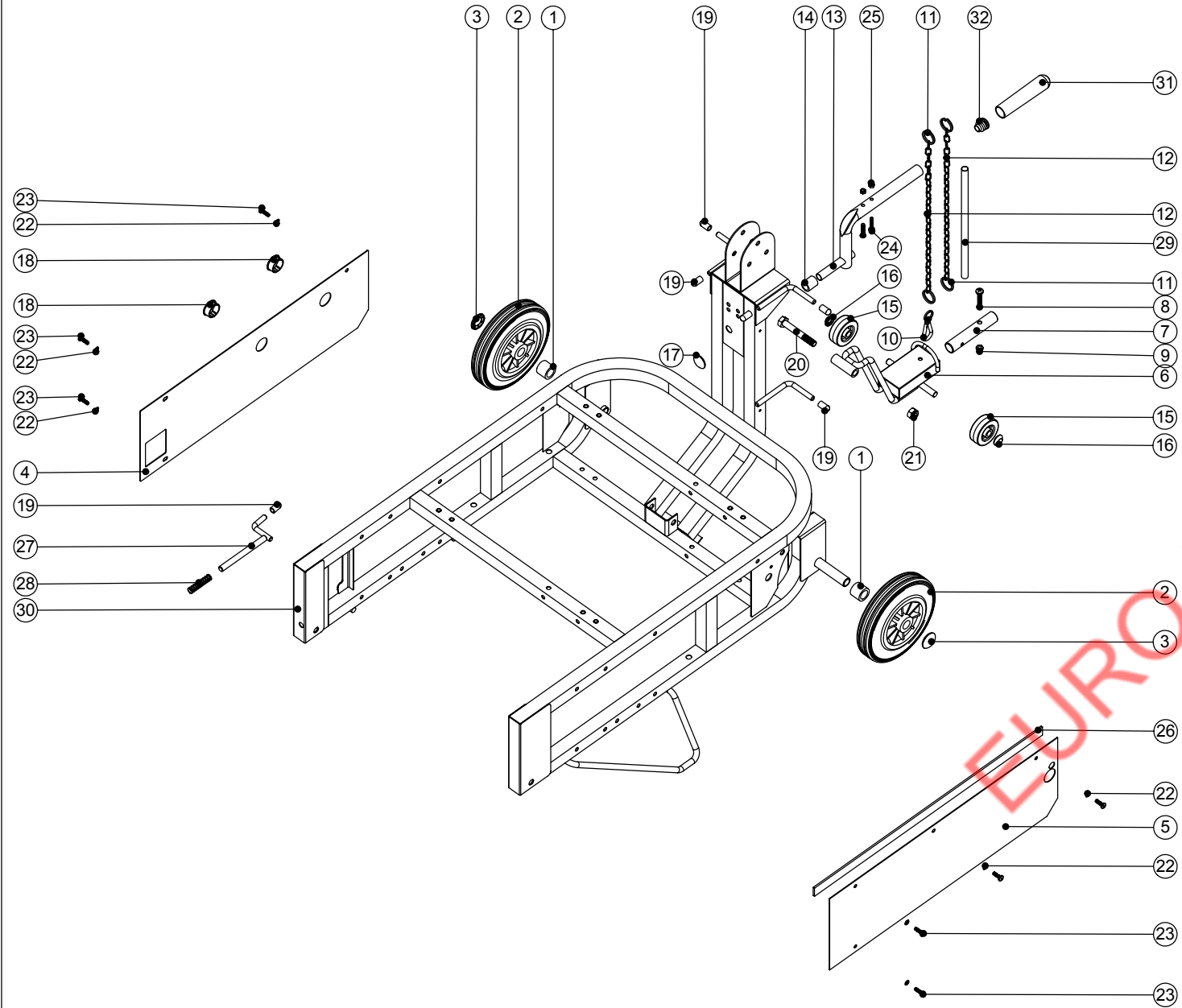
Numatic International Spare Parts

Model No: TTB-6652/200ST Electrical Assembly

POS:	ITEM NO:	DESCRIPTION:	COMMENTS:
1	429038	BLACK BATTERY TRAY WELDED ASSEMBLY	
2	229006	END TIP	
3	329662	TRAY SUPPORT TUBE WELDED ASSEMBLY	
4	219547	M5 X 16MM LONG POZI PAN STAINLESS STEEL SCREW	
5	219648	M5 SINGLE COIL WASHER	
6	219571	M5 X 20MM LONG POZI PAN STAINLESS STEEL SCREW	
7	219650	M5 X 40MM LONG POZI PAN STAINLESS STEEL COUNTERSUNK SCREW	
8	219631	19MM GROMMET	
9	220752	CHARGER UNIT (230V)	STANDARD SPEC MACHINE
	220753	CHARGER UNIT (120V)	STANDARD SPEC MACHINE
	220754	CHARGER UNIT (100V)	STANDARD SPEC MACHINE
	304187	CHARGER UNIT (120V)	CSA SPEC MACHINE
10	219644	M5 FORM G STAINLESS STEEL WASHER	
11	219633	M5 STAINLESS STEEL NYLON INSERT NUT	
12	230138	98 A/H STUD TERMINAL GEL TYPE BATTERY	
13	429034	BLACK BATTERY STRAP WELDED ASSEMBLY	
14	329643	SOLENOID MOUNTING BRACKET	
15	220379	24V D.C. SOLENOID VALVE	
16	220716	SOLENOID VALVE LEAD	
17	219703	M4 X 35MM LONG STAINLESS STEEL POZI PAN SCREW	
18	219206	M4 FORM A WASHER	
19	219083	M4 NYLON INSERT NUT	
20	229304	CHARGER COVER	230V MACHINES
	229269	CHARGER COVER	120V MACHINES
21	220681	ISOLATOR KNOB	
22	230092	55 AMP CIRCUIT BREAKER	
23	329123	ISOLATOR BLOCK ASSEMBLY	
24	329638	PCB MOUNTING PLATE	
25	229268	P.C.B. COVER	
26	219301	No6 X 3/8 INCH LONG POZI PAN SELF TAP SCREW	
27	220595	PCB QUICK RELEASE STAND OFF	
28	220891	CONTROL PCB	
29	229303	BATTERY PLATE PAD	
30	229271	SPLASH COVER	
31	229270	ACTUATOR EXTENSION	
32	212024	INSEAL	
33	219569	No8 X 1/2 INCH LONG POZI PAN STAINLESS STEEL PLASTITE SCREW	
34	329462	660MM LONG SILICON TUBE	
35	219464	CLIP (24MM HIGH)	
36	229204	BOTTOM MOTOR HOUSING	STANDARD SPEC MACHINE
	227231	BOTTOM MOTOR HOUSING	CSA SPEC MACHINE
37	202111	BOTTOM MOTOR GASKET	
38	321106	24V D.C BP MOTOR ASSEMBLY	
39	202107	TOP MOTOR GASKET	
40	202078	MOTOR CAP GASKET	S
41	229998	VAC POD TOP MOTOR HOUSING C/W TAPPEX	STANDARD SPEC MACHINE
	229993	VAC POD TOP MOTOR HOUSING C/W TAPPEX	CSA SPEC MACHINE
42	219561	51.6MM I/D O RING	
43	229207	INLET TUBE	
44	219003	M5 FORM A STEEL WASHER	
45	219575	M5 X 25MM LONG POZI PAN STAINLESS STEEL SCREW	
46	329198	REAR VAC POD BRACKET	
47	329197	FRONT VAC POD BRACKET	
48	219568	No8 X 3/4 INCH LONG POZI PAN STAINLESS STEEL SCREW	
49	227008	BLACK CABLE CLAMP	
50	219107	No6 X 5/8 INCH LONG POZI PAN PLASTITE SCREW	
51	229206	VAC POD TOP COVER MOULDING	
52	329666	CHOKE MOUNTING PLATE	
53	229302	CHOKE GASKET	
54	220731	CHOKE	
55	221151	M4 X 12MM LONG POZI PAN SCREW	
56	229301	CHOKE COVER	
57	219636	M5 X 16MM LONG NYLON SLOTTED P/H SCREW	
58	220993	16 AMP FUSE	STANDARD SPEC MACHINE
	220666	20 AMP FUSE	CSA SPEC MACHINE
59	320570	400MM LONG YELLOW LINK WIRE	
60	220204	TERMINAL BLOCK	
61	219321	M4 X 30MM LONG POZI PAN SCREW	
62	220834	SUPRESSOR ASSEMBLY	
63	220833	A.C. CHARGING LEAD (WITH CHOKE CONNECTION)	230V MACHINES
	220832	A.C. CHARGING LEAD	120V CSA SPEC MACHINE
	220832	A.C. CHARGING LEAD	120V STANDARD SPEC MACHINE
64	301000	CURTIS CONTROLLER (RE-PROGRAMMED)	
65	329195	PCB MOUNTING BRACKET	
66	219274	M4 X 20MM LONG POZI PAN SCREW	
67	229386	MOTOR CONTROLLER COVER	
68	219661	M5 X 35MM LONG POZI PAN STAINLESS STEEL SCREW	
69	219721	M5 STAINLESS STEEL FULL NUT	
70	220925	CONTROLLER GASKET	
71	329326	CONTROLLER COVER FIXING BRACKET	
72	220278	10 AMP OVERLOAD + DUST COVER	
73	216266	INSULATION BOOT	
74	216267	ISOLATOR INSULATION BOOT	
75	220715	700MM LONG RED CONTROL BOARD LINK WIRE	
76	329473	350MM LONG X 1.2MM THICK X 25MM X 25MM SQUARE STAINLESS STEEL BOX SECTION TUBE (NUTSERTED)	
77	20662V	1 INCH SQUARE BLACK TUBE END STOP	
78	219016	M5 SHAKEPROOF WASHER	
79	219668	M5 X 10MM LONG POZI PAN STAINLESS STEEL SCREW	
80	219899	M10 SINGLE COIL STAINLESS STEEL WASHER	
81	230102	FUSE HOLDER RATED AT 60 AMPS	
82	230103	70 MAXI AMP FUSE	
83	219864	M5 X 8MM LONG POZI PAN SCREW	

Numatic International Spare Parts
Model No: TTB-6652/200ST Chasis Assembly

234256
 DRAWING: EXP-0787 ISS:A02
 16/02/2006



Numatic International Spare Parts
Model No: TTB-6652/200ST Chasis Assembly

POS:	ITEM NO:	DESCRIPTION:	COMMENTS:
1	206633	20MM LONG WHITE SPACER	
2	229049	160MM DIA WHEEL GREY TYRE BLACK HUB	
3	229266	16.0MM CAP	
4	429059	RIGHTHAND SIDE PLATE (PAINTED GREY)	
5	429030	LEFTHAND SIDE PLATE (PAINTED GREY)	
6	329632	FIXED FLOOR TOOL CONNECTOR WELDED ASSEMBLY	
7	329163	PIVOT BOSS	
8	219643	M6 X 35MM LONG STAINLESS STEEL POZI PAN SCREW	
9	219642	M6 STAINLESS STEEL NYLON INSERT NUT	
10	229292	50MM SWIVEL HOOK	
11	229293	1 INCH (STAINLESS STEEL) SPLIT RING	
12	229289	1/2" X 6G CHAIN (STAINLESS STEEL) WELDED OVAL LINK	
13	329675	HANDLE WELDED ASSEMBLY	
14	229288	NYLON SPACER	
15	215006	2" FLO WHEEL BLACK (GREY TYRE)	
16	229290	3/8 INCH STAINLESS CAP	
17	204021	12.7MM (STAINLESS STEEL) HUB CAP	
18	206314	WINDOW PLUG	
19	229240	END TIP	
20	219570	M10 X 70MM LONG HEX BOLT	
21	219649	M10 NYLON INSERT NUT	
22	219016	M5 SHAKEPROOF WASHER	
23	219547	M5 X 16MM LONG POZI PAN STAINLESS STEEL SCREW	
24	219575	M5 X 25MM LONG POZI PAN STAINLESS STEEL SCREW	
25	219633	M5 STAINLESS STEEL NYLON INSERT NUT	
26	212024	INSEAL	
27	303483	LOCKING BAR WELDED ASSEMBLY	
28	219873	COMPRESSION SPRING (STAINLESS STEEL)	
29	219660	10MM I/D X 0.5MM WALL BLACK PVC SLEEVING	
30	338571	NUTSERTED STAINLESS STEEL CHASSIS ASSEMBLY	
31	229344	3/4 INCH HAND GRIP	
32	20638V	CSP-302 BLACK TUBE END STOP	