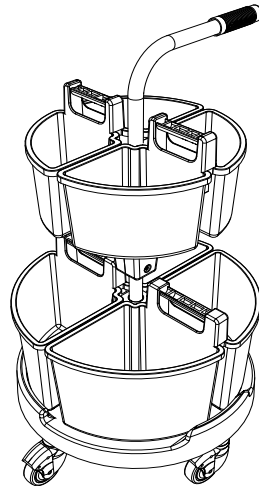
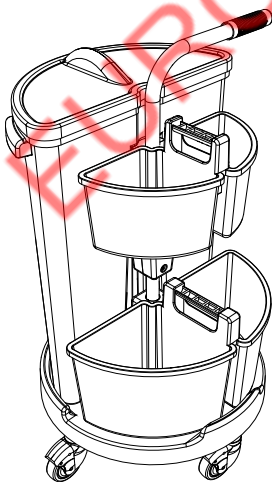
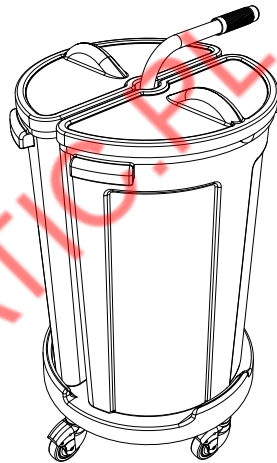
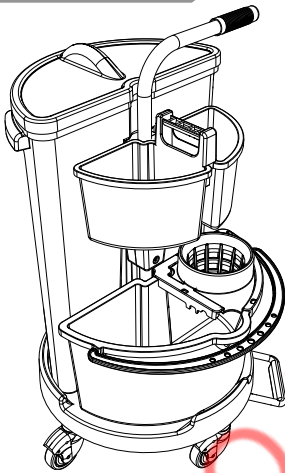


# CAROUSEL

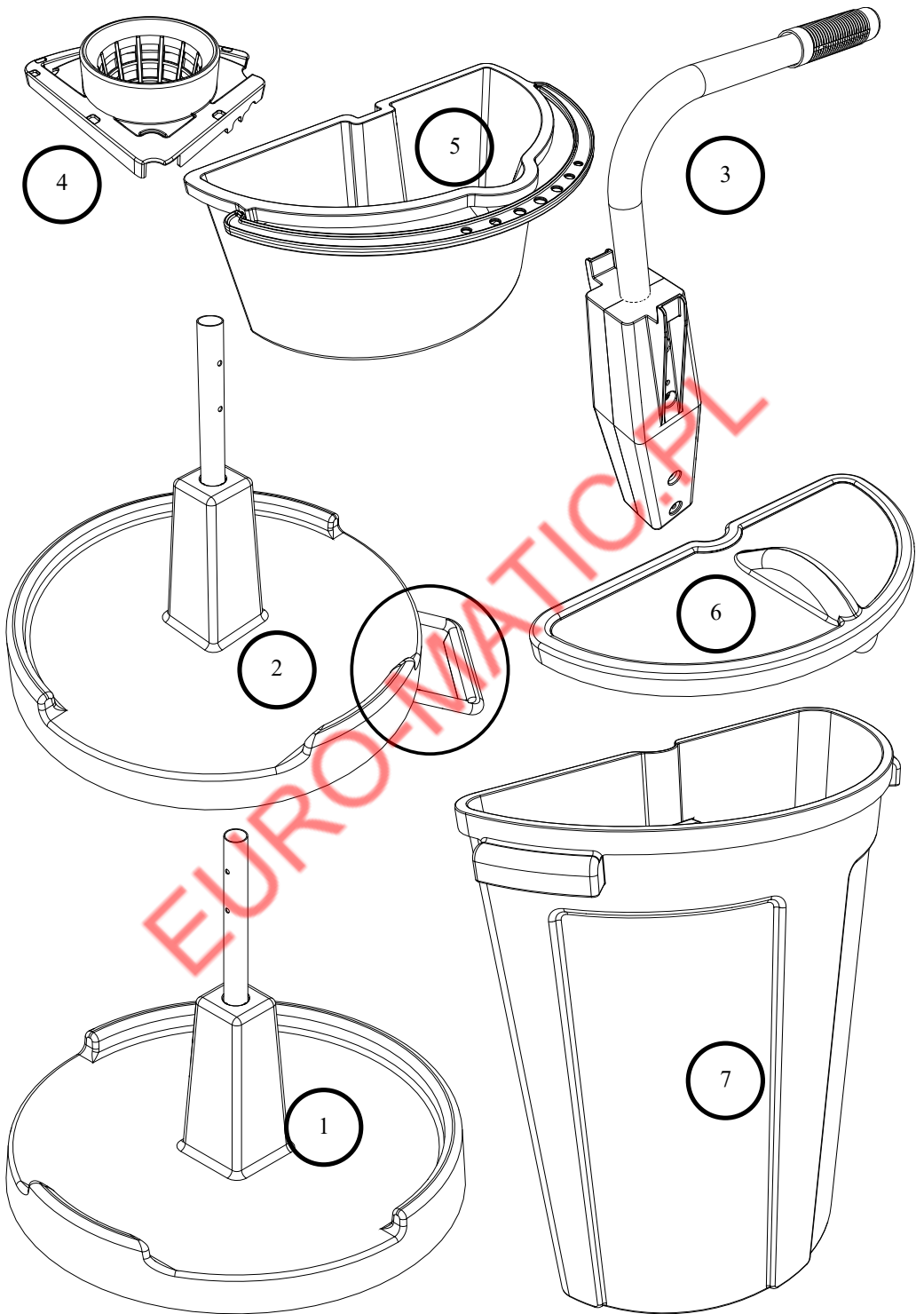
## NCR 1 / 2 / 3 / 4

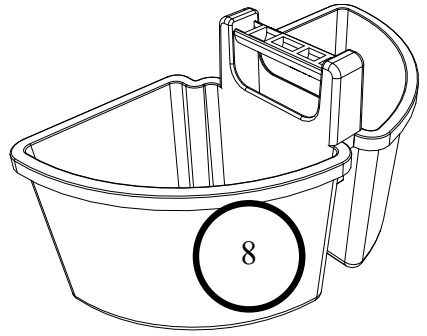
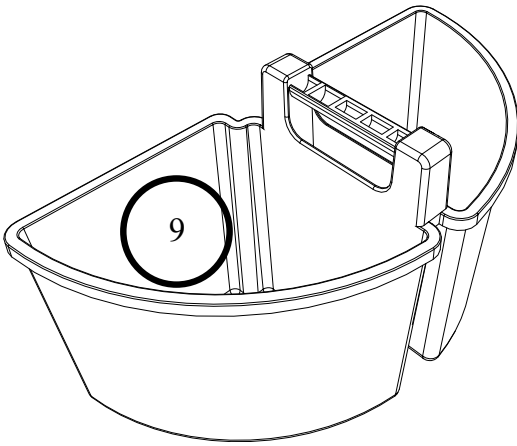
# Numatic

numatic.com



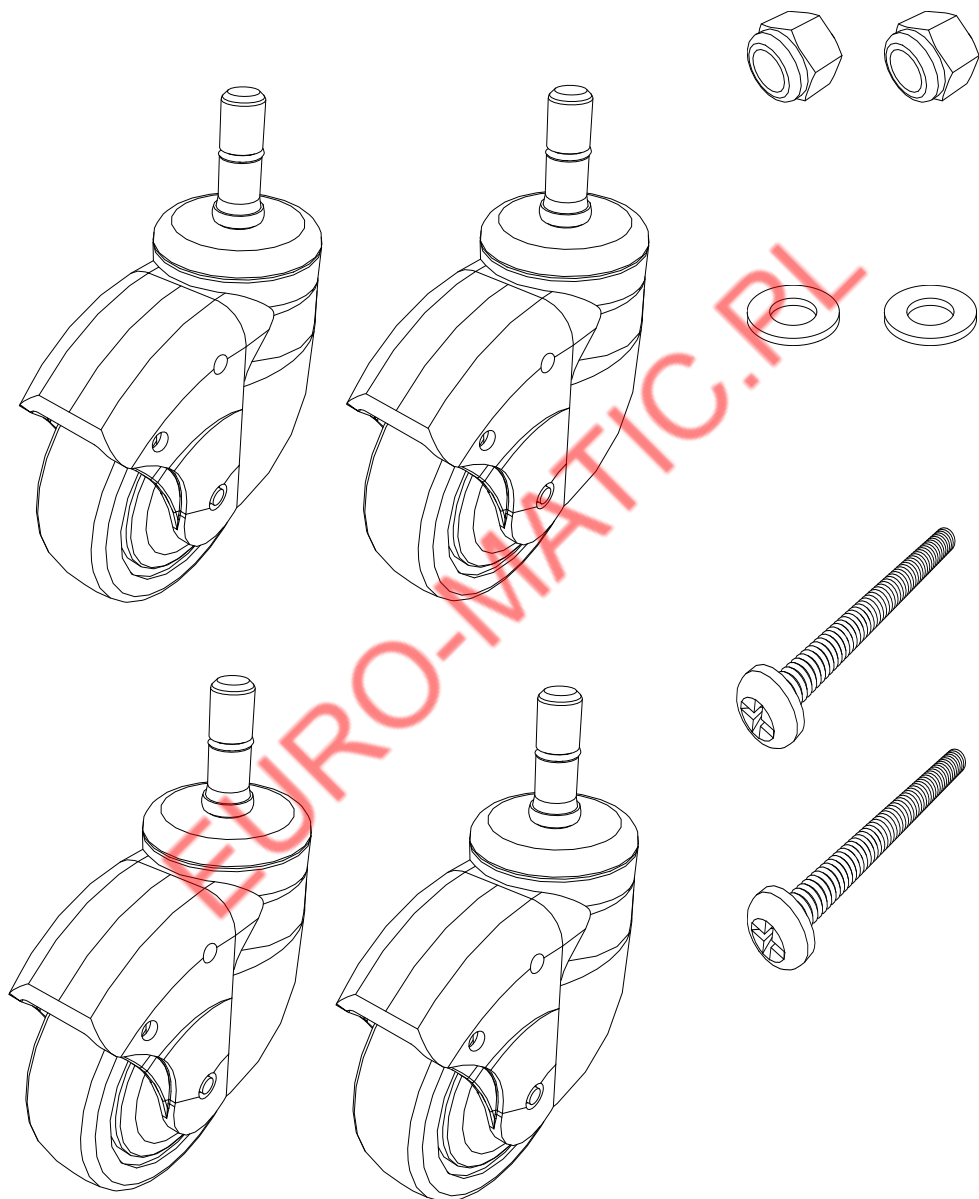
## Original Instructions



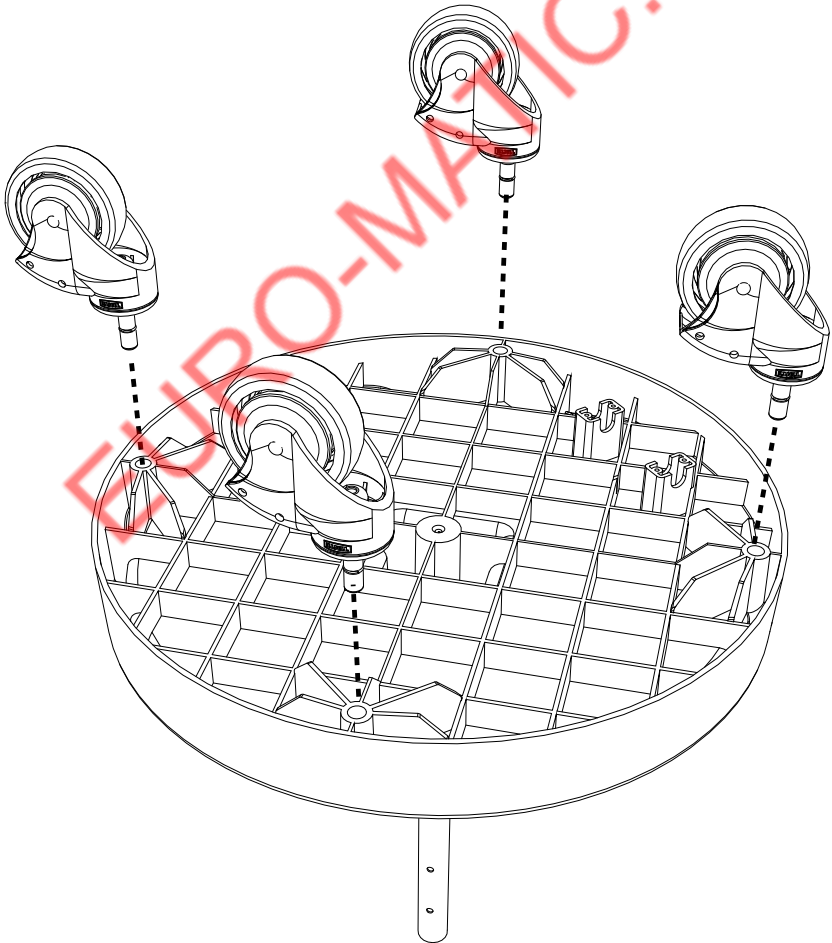
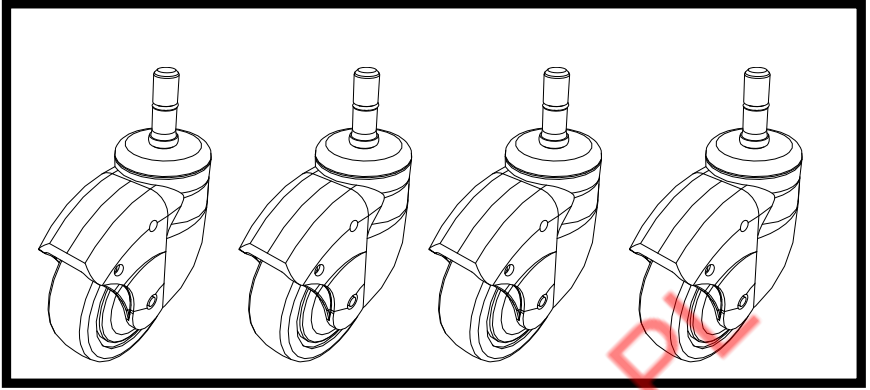


ITEM	DESCRIPTION
1	BASE
2	PEDAL MOULDING ( NCR1 ONLY)
2	PEDAL SPRING (NOT SHOWN) NCR1 ONLY
3	HANDLE ASSEMBLY
4	MOP WRINGER (NCR1 ONLY)
5	14 LITRE PAIL (NCR1 ONLY) (BLUE)
6	70L LID (GREEN)
	70L LID (RED)
	70L LID (BLUE)
	70L LID (YELLOW)
7	70L WASTE BIN (GREEN)
	70L WASTE BIN (RED)
	70L WASTE BIN (BLUE)
	70L WASTE BIN (YELLOW)
8	SMALL CADDY (GREEN)
	SMALL CADDY (RED)
	SMALL CADDY (BLUE)
	SMALL CADDY (YELLOW)
9	LARGE CADDY (GREEN)
	LARGE CADDY (RED)
	LARGE CADDY (BLUE)
	LARGE CADDY (YELLOW)

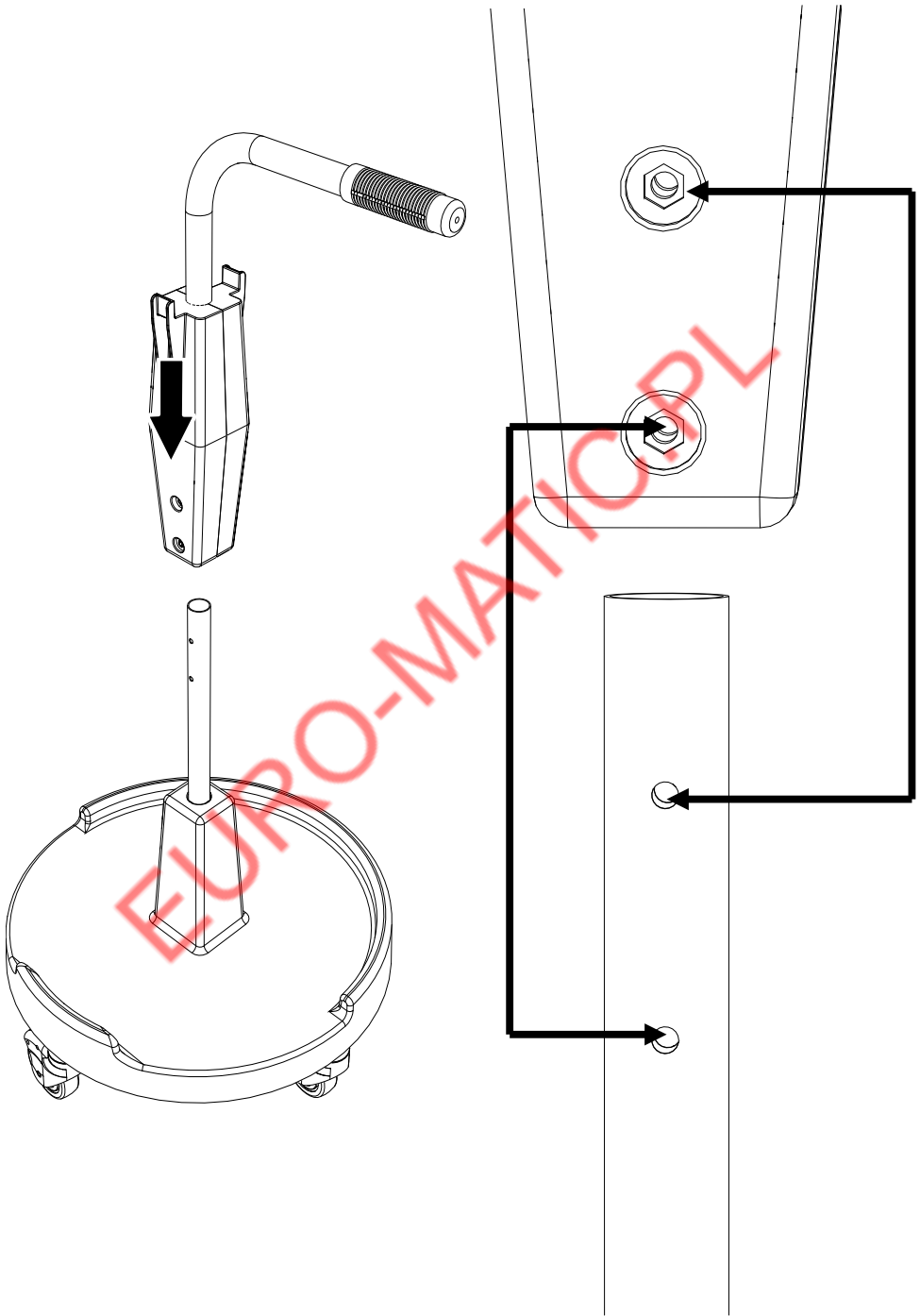
# NCR-1/2/3/4



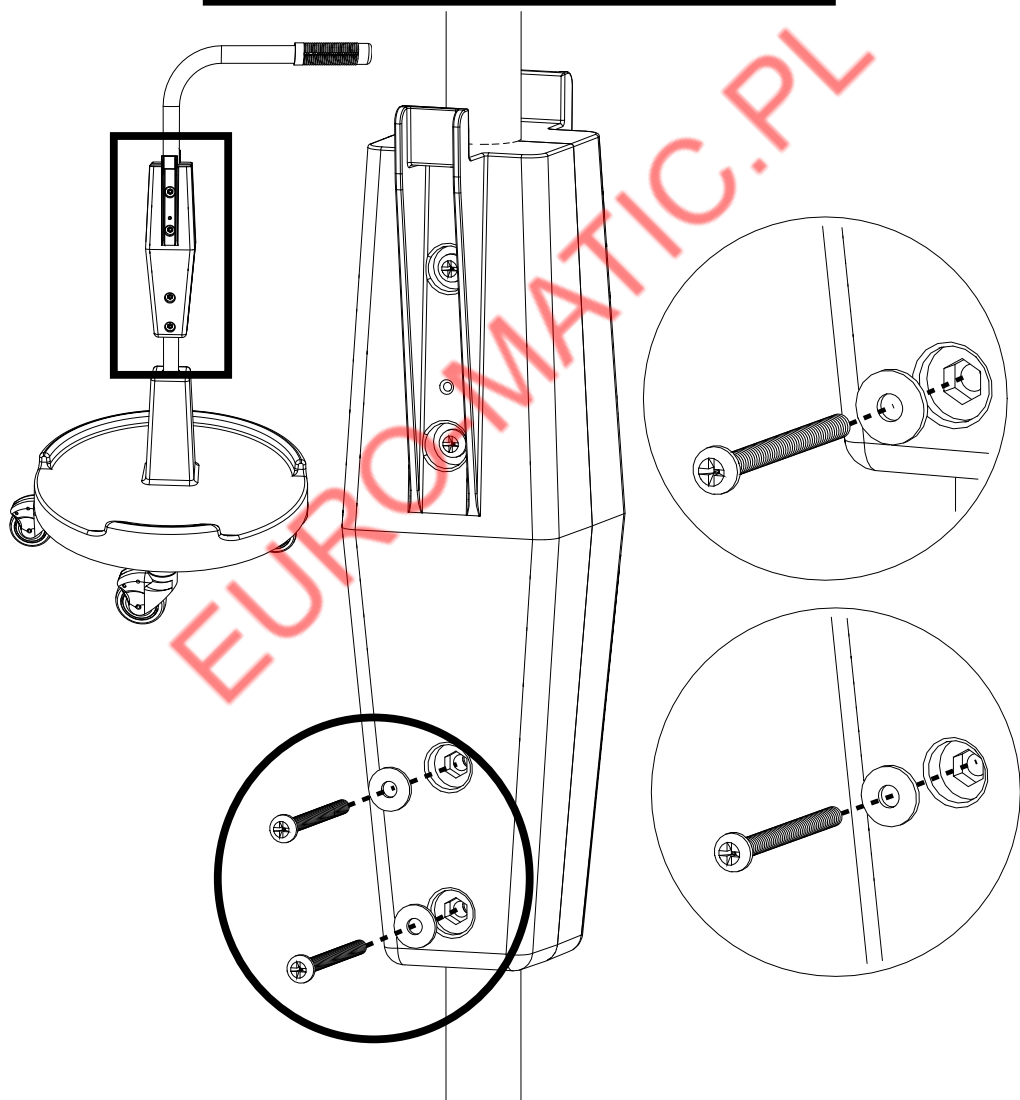
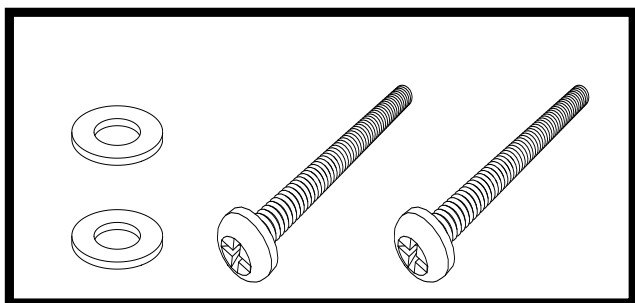
# NCR-1/2/3/4



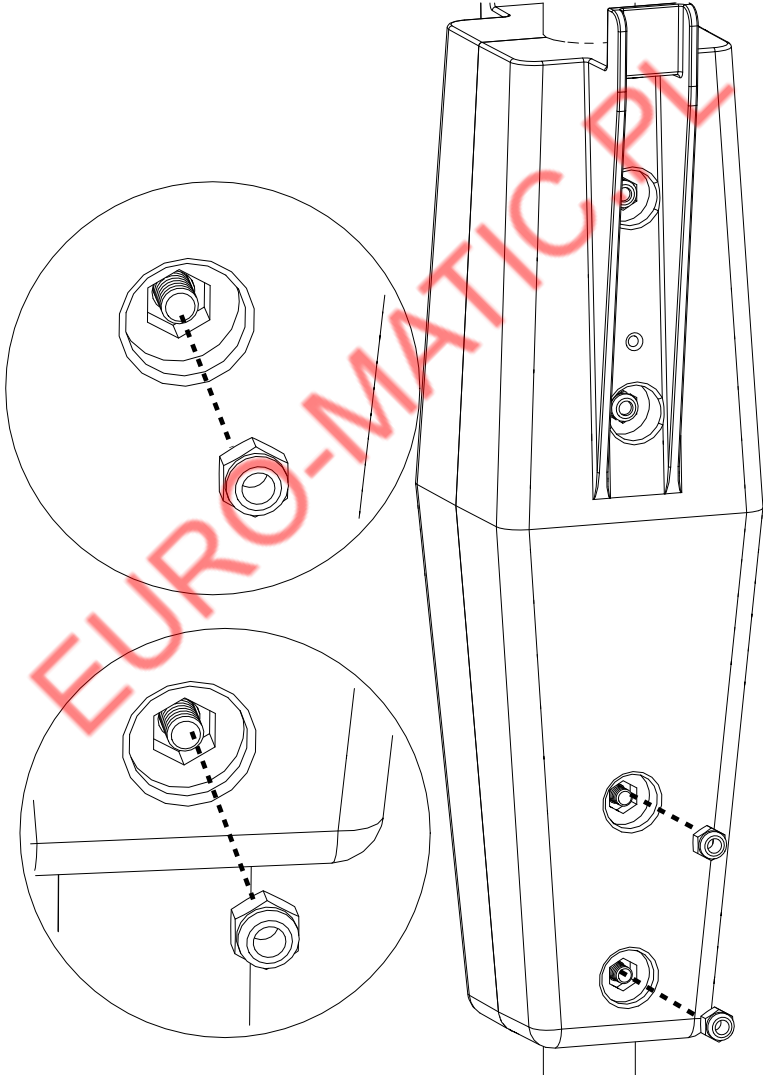
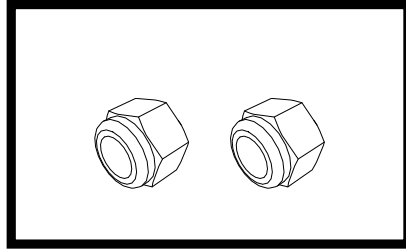
# NCR-1/2/3/4



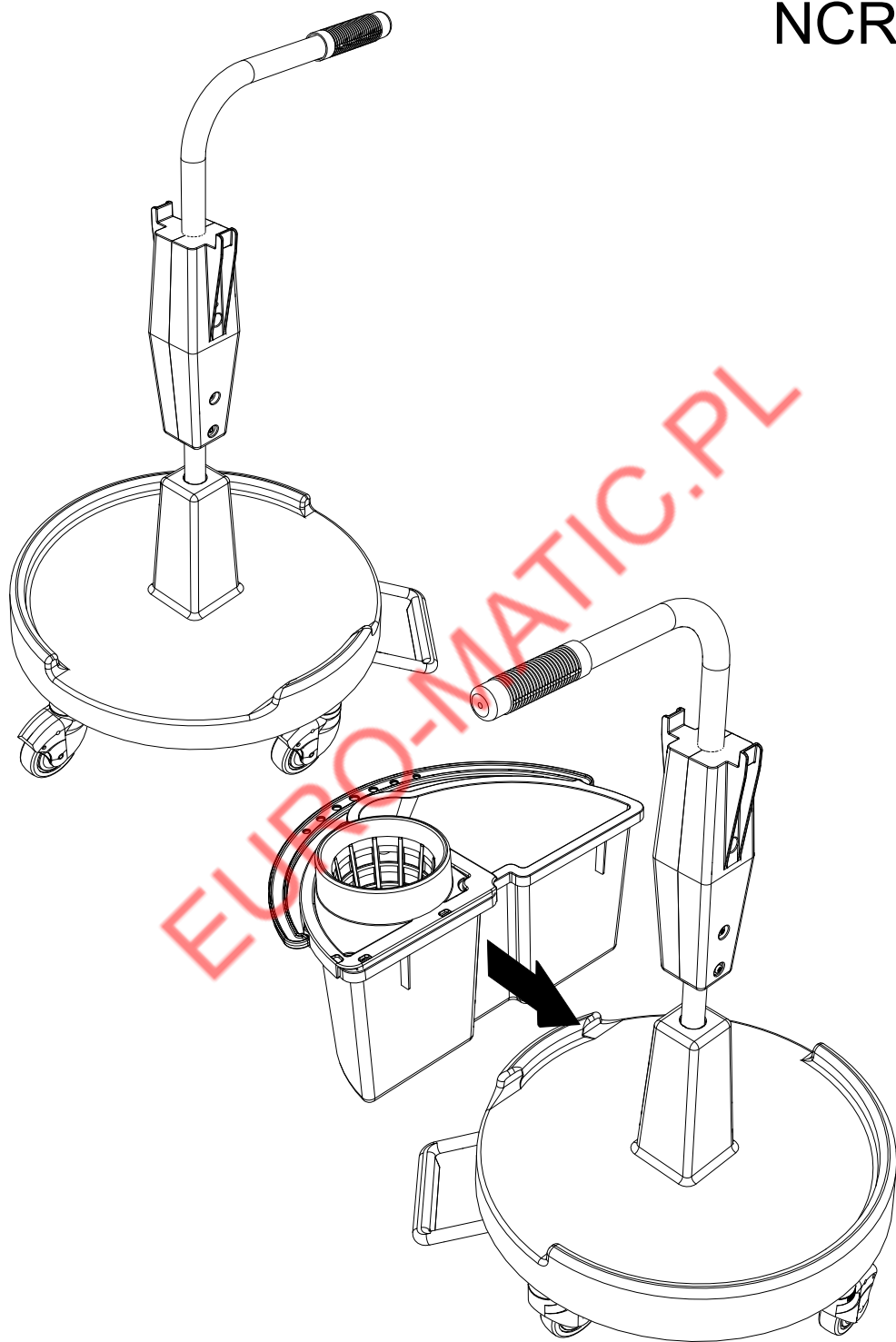
# NCR-1/2/3/4

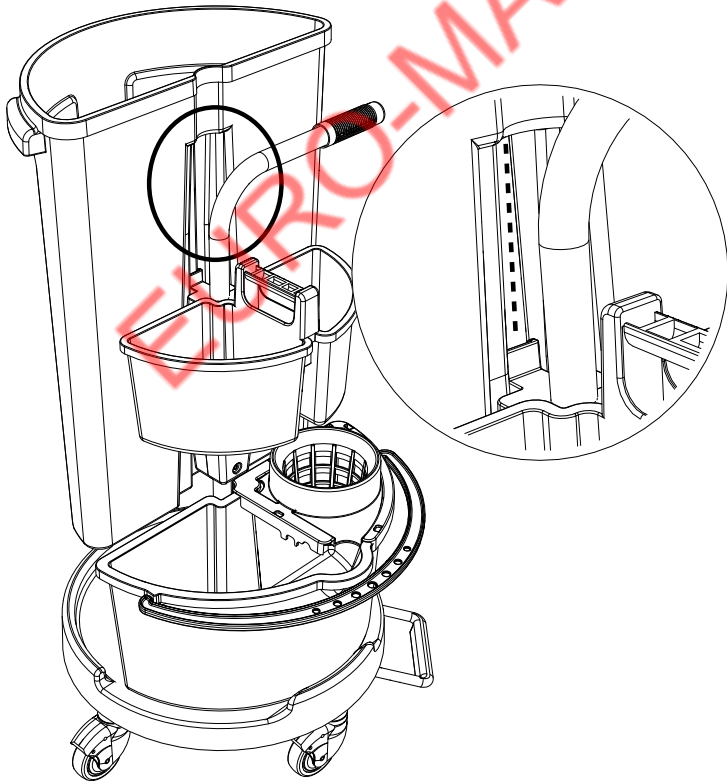
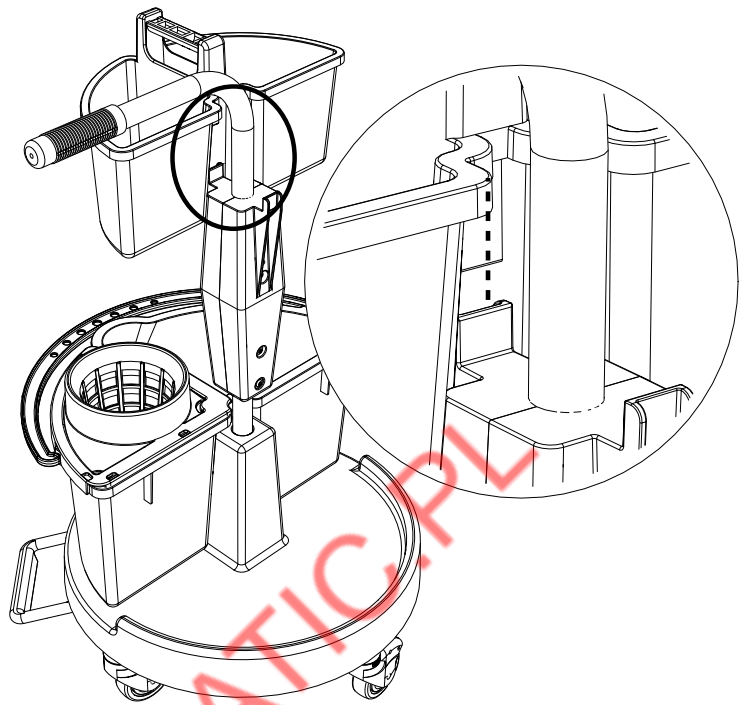


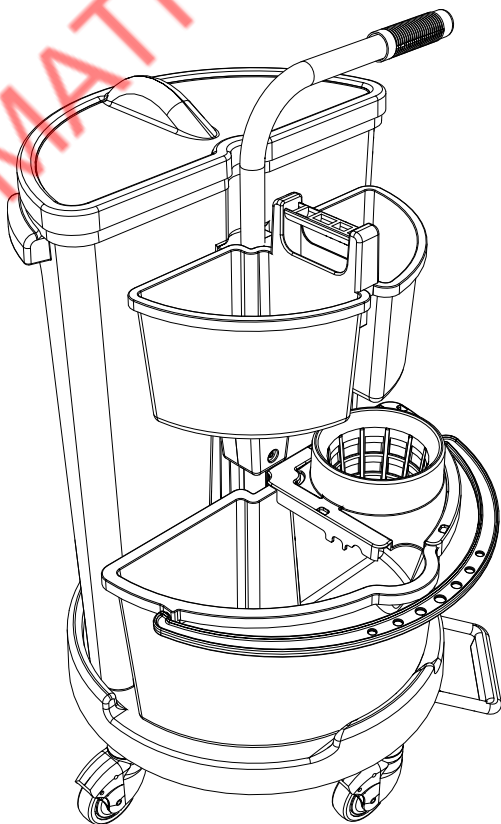
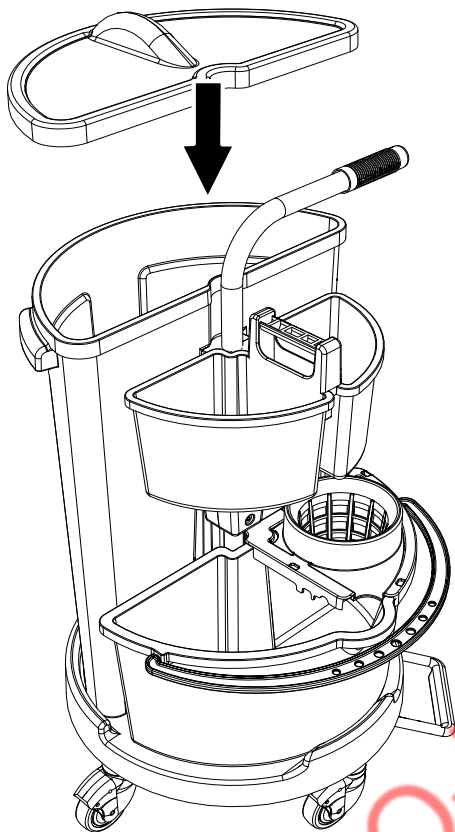
# NCR-1/2/3/4



NCR-1

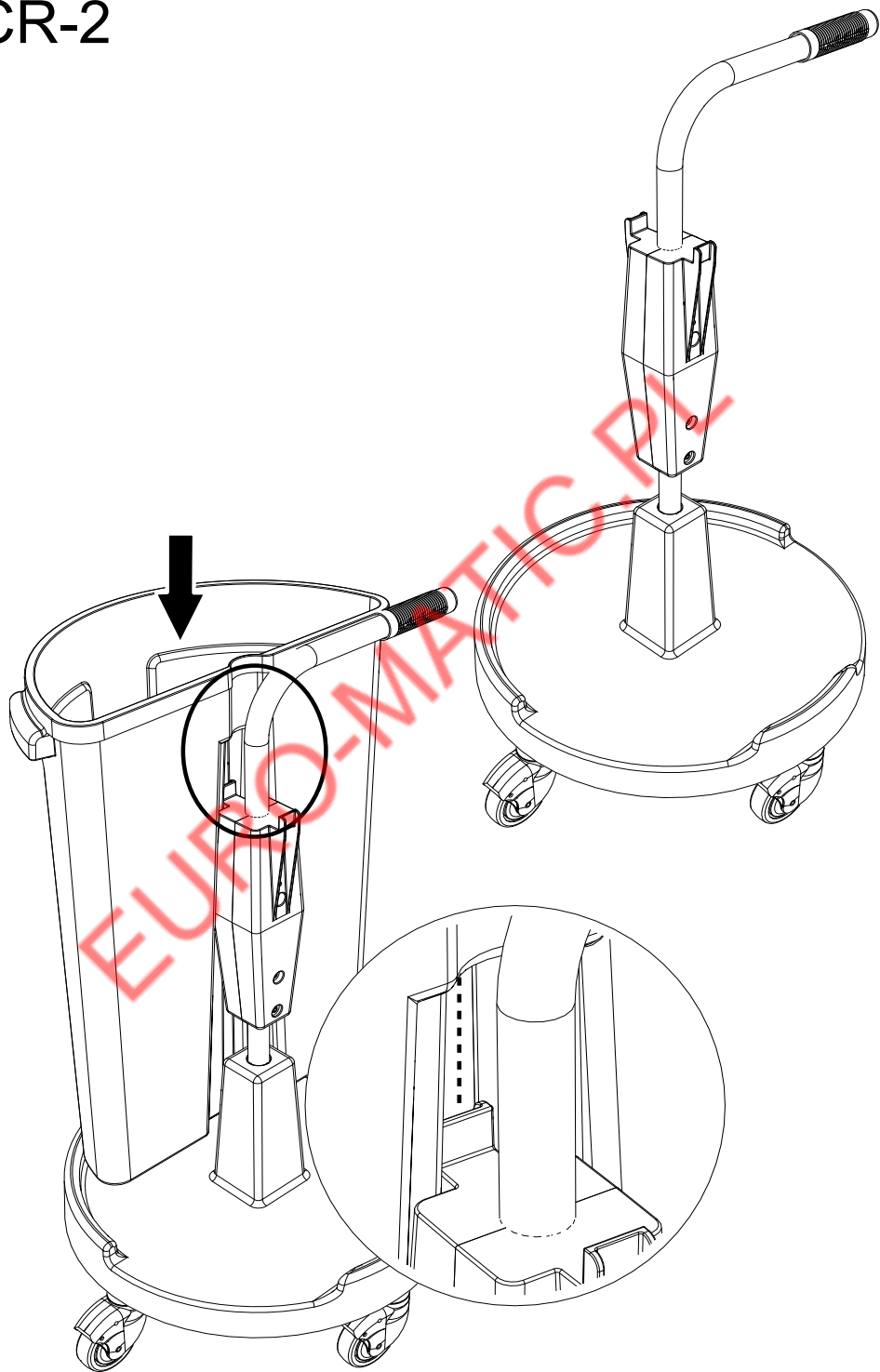


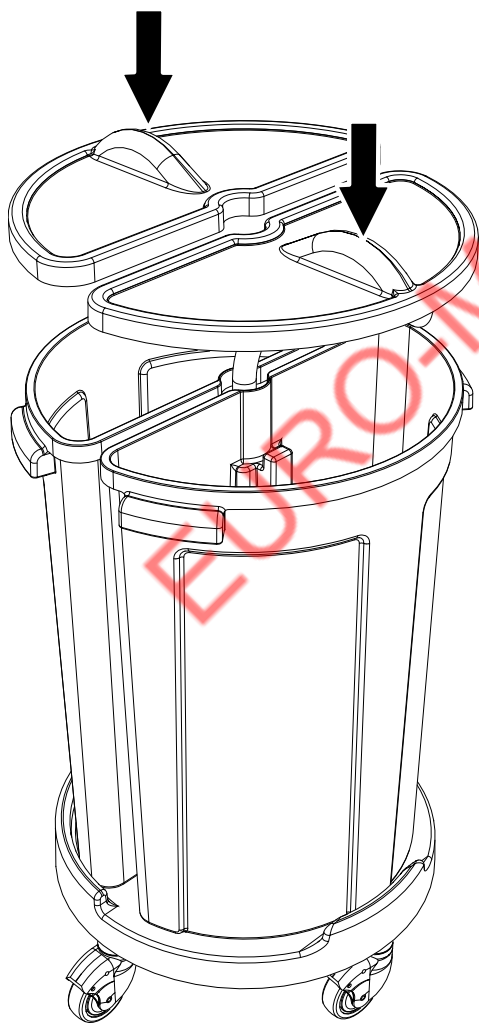
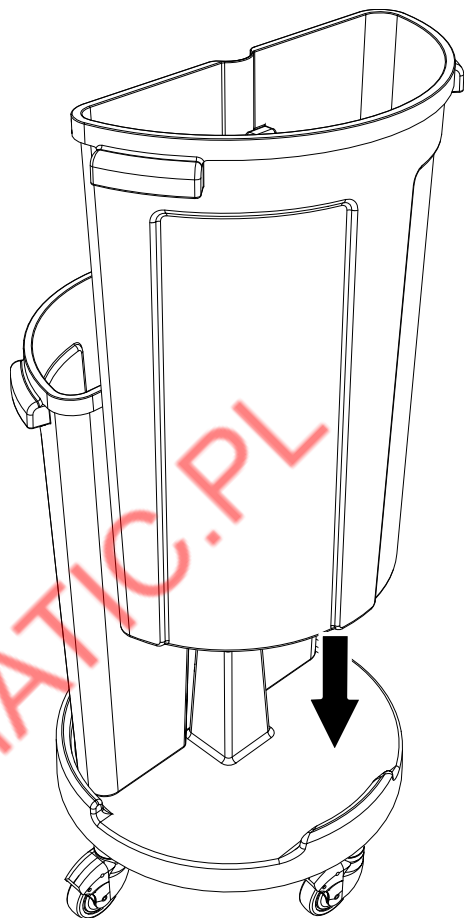




EURO-MATIC.PL

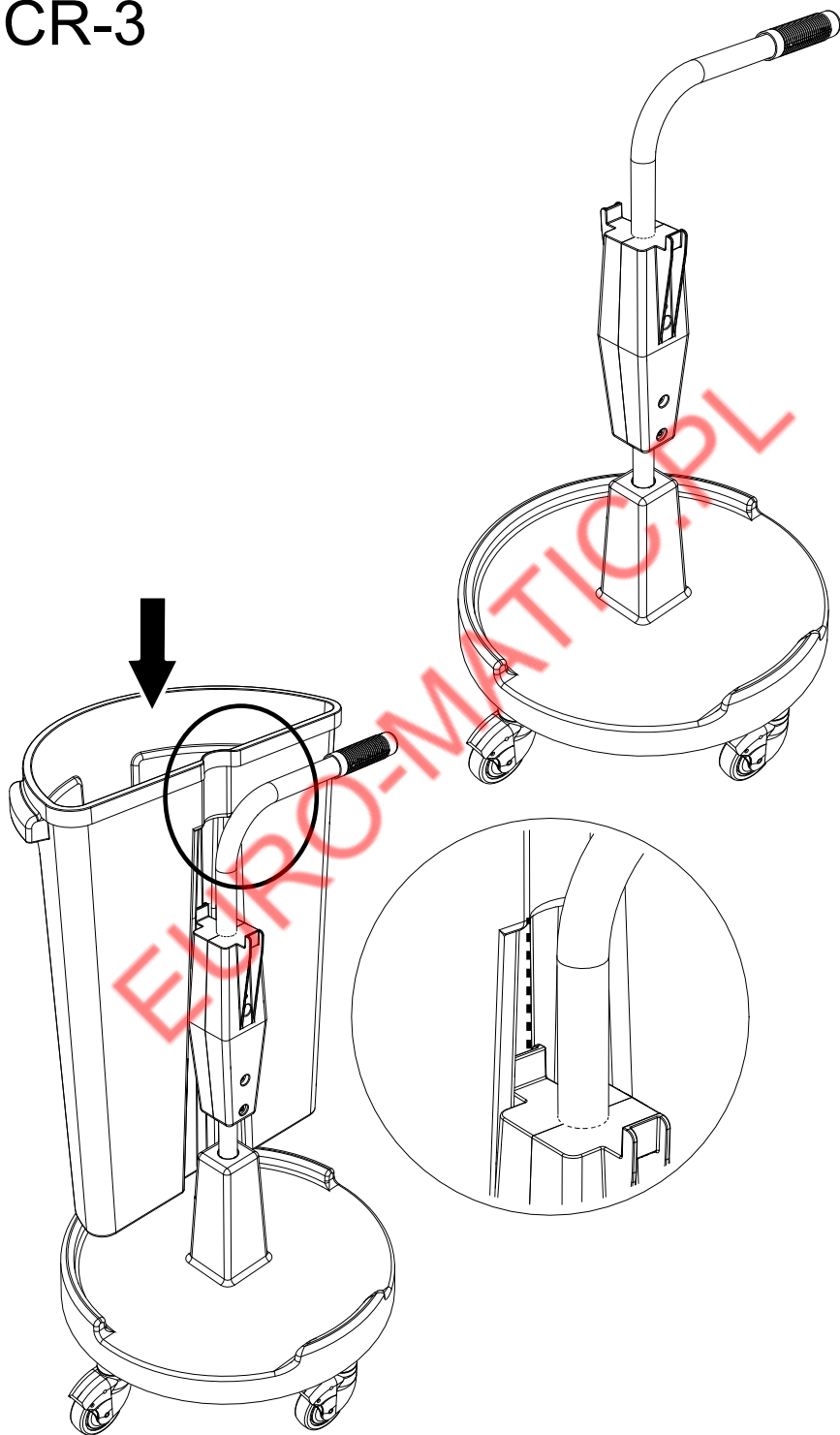
# NCR-2

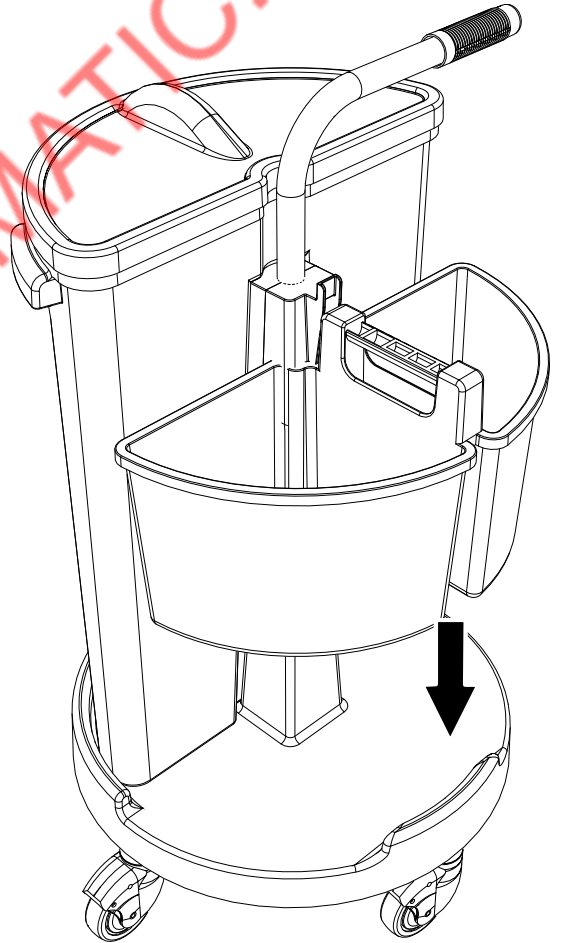
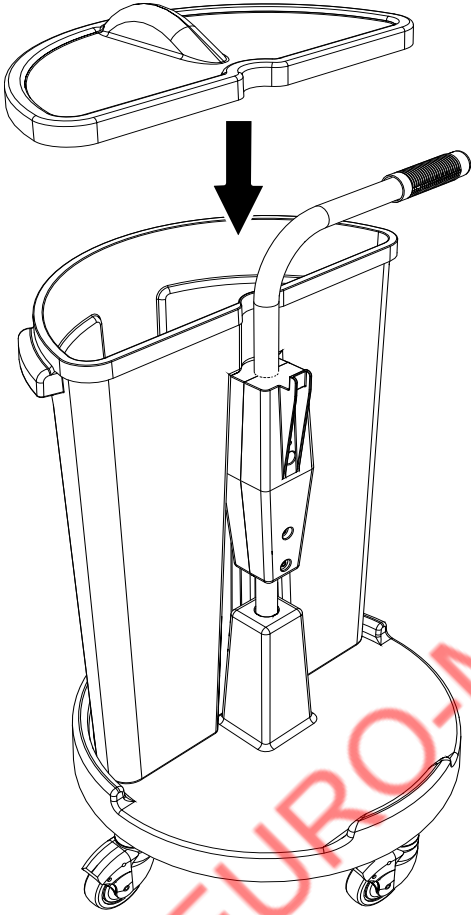




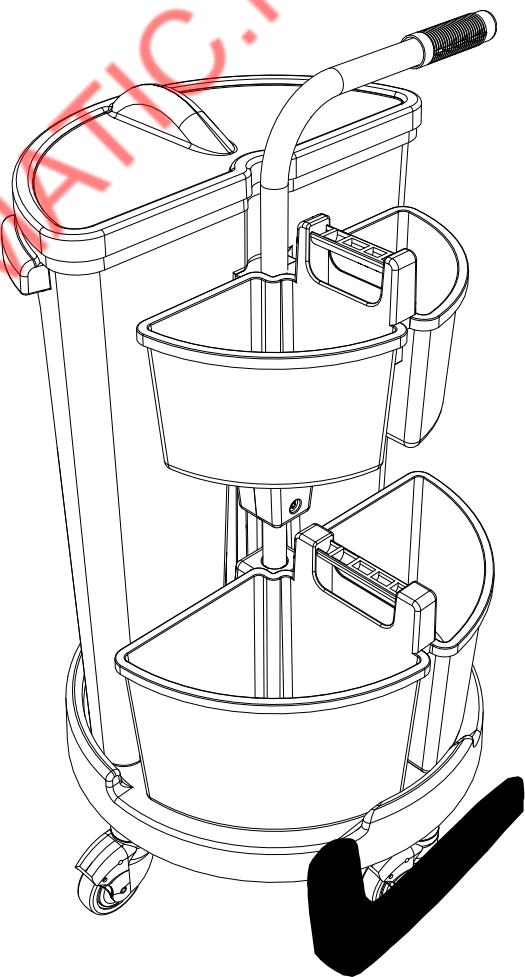
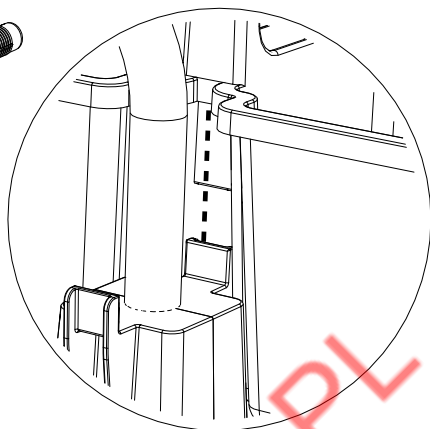
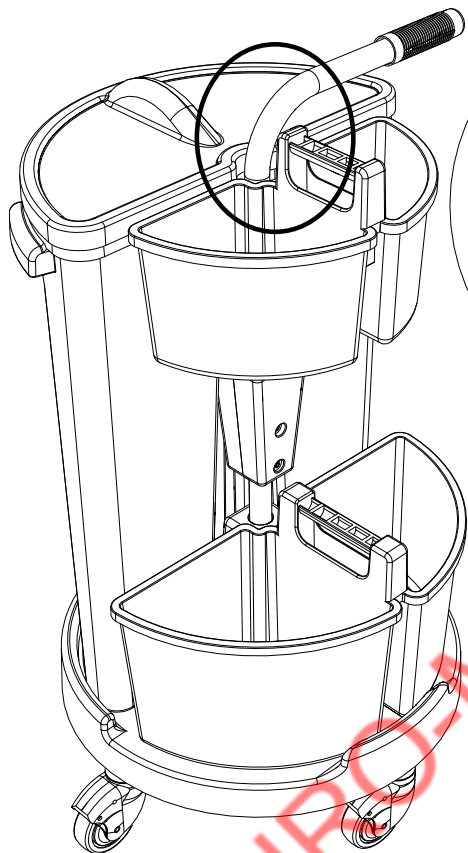


# NCR-3





EUROMATIC.PL



# NCR-4

