

Numatic International Spare Parts

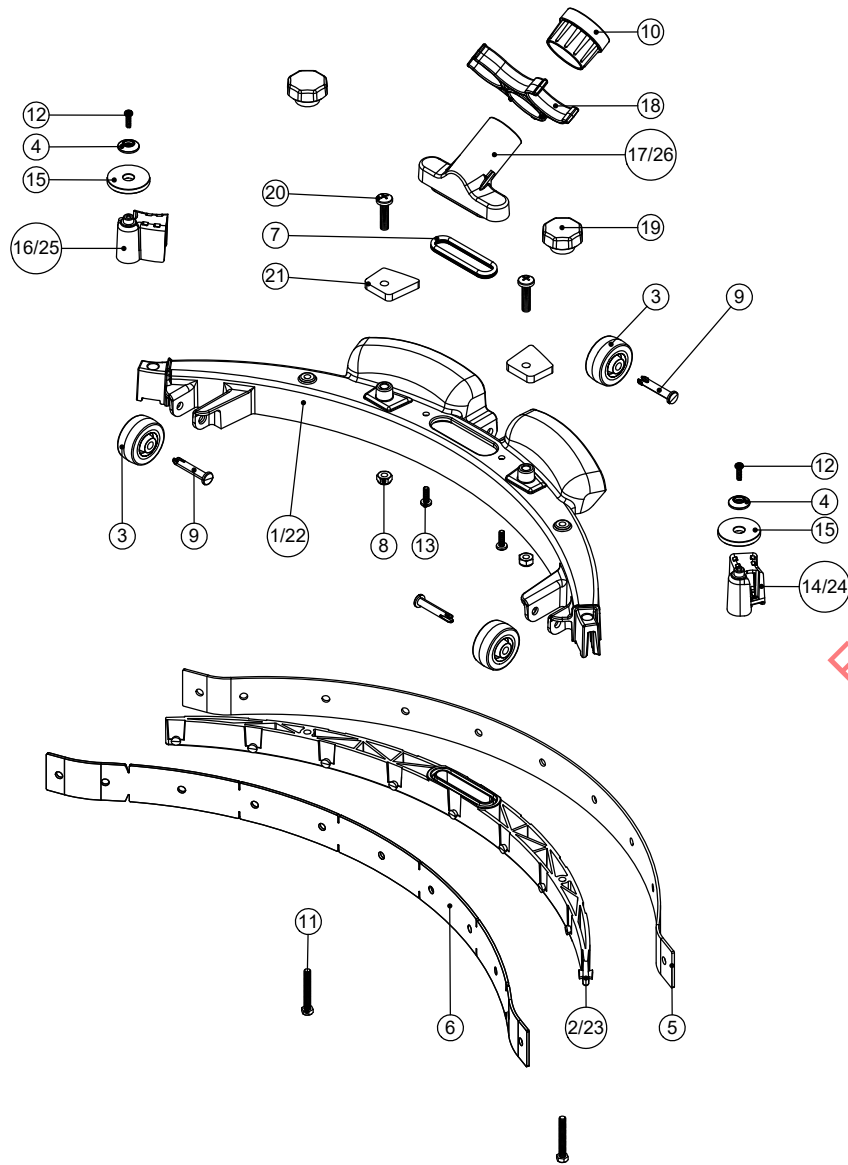
SQUEEGEE ASSEMBLY EXPLODED DRAWING

Model No:

911916,918093

DRAWING: DRW-31959 ISS:A09

23/02/2024



Numatic International Spare Parts

SQUEEGEE ASSEMBLY EXPLODED DRAWING

Model No:

POS.	ITEM No.	DESCRIPTION	COMMENTS	Default/911916 QTY.	BLACK/918093 QTY.
1	913895	SQUEEGEE OUTER DIE CASTING PAINTED - SILVER		1	-
2	911516	CSD SQUEEGEE INNER MOULDING FOR DIE CASTING		1	-
3	208454	36MM DIA GREY WHEEL		3	3
4	208603	NYLON FINISHING WASHER (BLACK)		2	2
5	911519	CSD SQUEEGEE REAR BLADE		1	1
6	911518	CSD SQUEEGEE FRONT BLADE		1	1
7	209077	SQUEEGEE SEAL EXTRUSION		1	1
8	219642	M6 STAINLESS STEEL NYLON INSERT HALF NUT		2	2
9	911517	NUC SNAP LOCK PIN (BLACK)		3	3
10	910970	32MM HOSE CUFF		1	1
11	905554	M5 X 35MM LONG HEXAGONAL HEAD SCREW ST/ST	5.0Nm ± 0.5	2	2
12	291053	3.5 X 12MM POZI PAN PLASTITE SCREW S/S	1.6Nm ± 0.1	2	2
13	219569	No8 X 1/2 INCH LONG POZI PAN STAINLESS STEEL PLASTITE SCREW	2.6Nm ± 0.1	2	2
14	911511	LEFT HAND NUC420 FLOOR TOOL CLIP		1	-
15	237266	BUFFER WHEEL		2	2
16	911512	RIGHT HAND NUC420 FLOOR TOOL CLIP		1	-
17	912051	HOSE TRAP INLET		1	-
18	912052	HOSE TRAP CLIP		1	1
19	208455	TTB 1840 SQUEEGEE KNOB		2	2
20	902232	M6 X 25MM LONG POZI PAN SCREW STAINLESS STEEL		2	2
21	914782	NUC 244 SQUEEGEE SNAP PLATE	Peel foil and clean dirty surfaces	2	2
22	918135	SQUEEGEE OUTER DIE CASTING PAINTED - BLACK		-	1
23	917504	CSD SQUEEGEE INNER MOULDING FOR DIE CASTING		-	1
24	917231	LEFT HAND NUC420 FLOOR TOOL CLIP - BLACK		-	1
25	917232	RIGHT HAND NUC420 FLOOR TOOL CLIP		-	1
26	917503	HOSE TRAP INLET		-	1

Numatic International Spare Parts

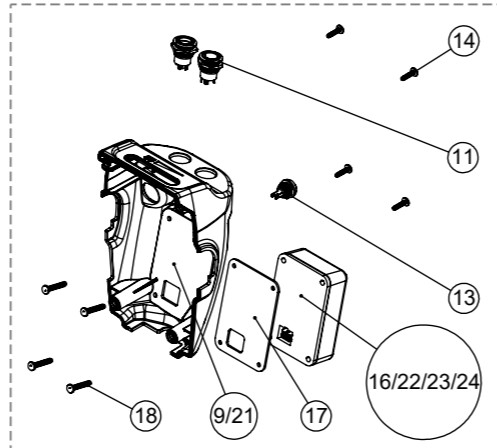
913337, 915763, 918985, 918986,
919504, 919505

Model No:244 HANDLE ASSEMBLY EXPLODED DRAWING

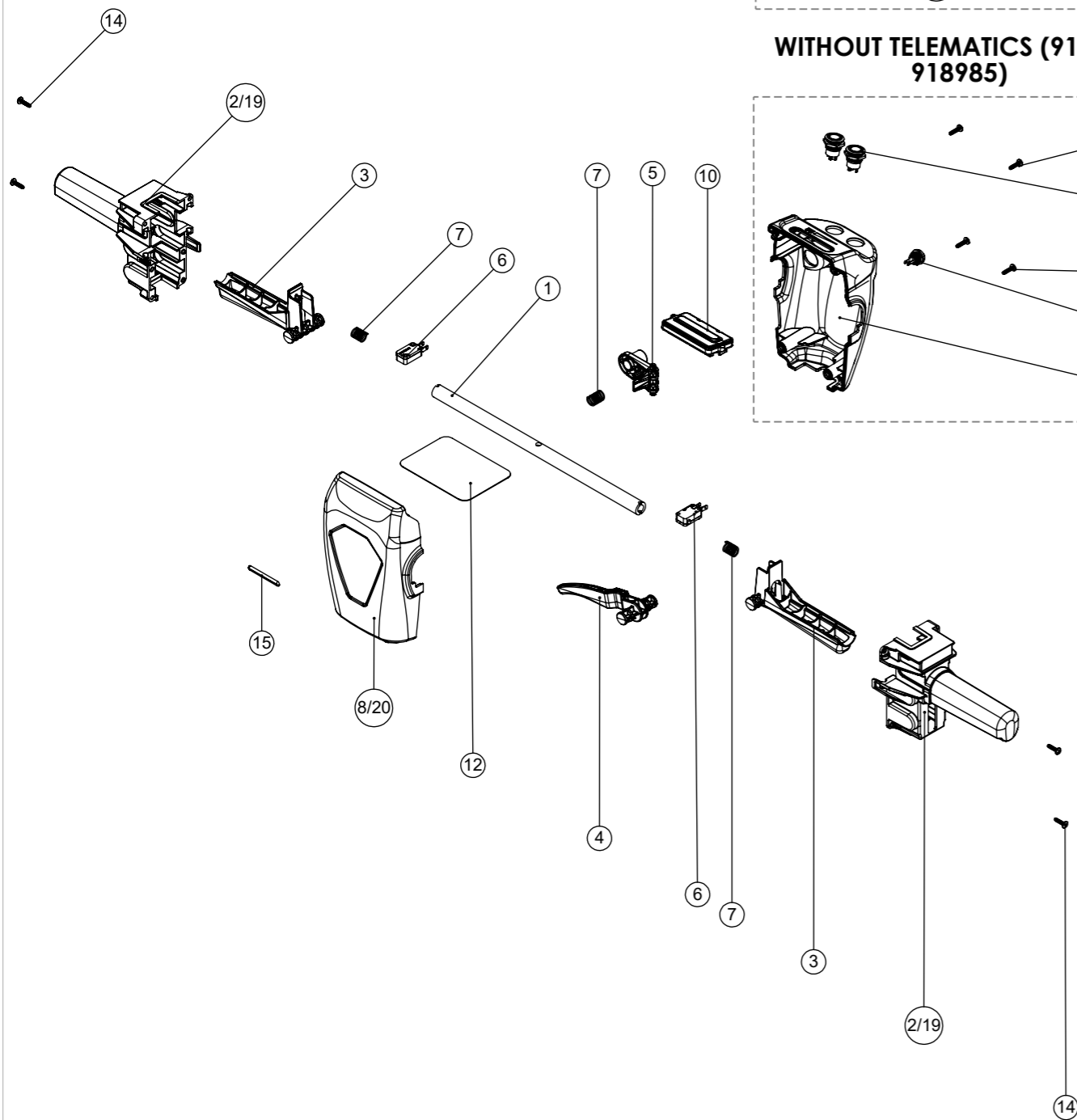
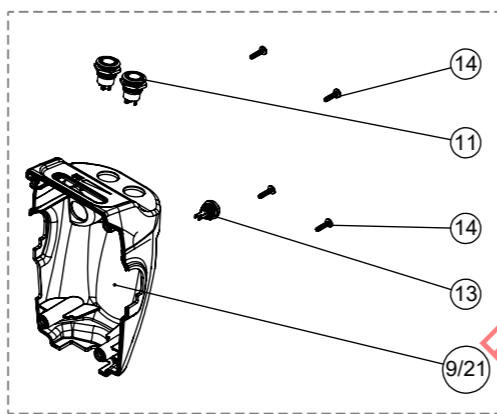
DRW-35076 ISS:A08

NB: FOR WIRING SEE DRAWING: DRW-34941

WITH TELEMATICS (915763, 918986)
OR
HOURS METER (919504, 919505)



WITHOUT TELEMATICS (913337,
918985)



Numatic International Spare Parts

Model No: 244 HANDLE ASSEMBLY EXPLODED DRAWING

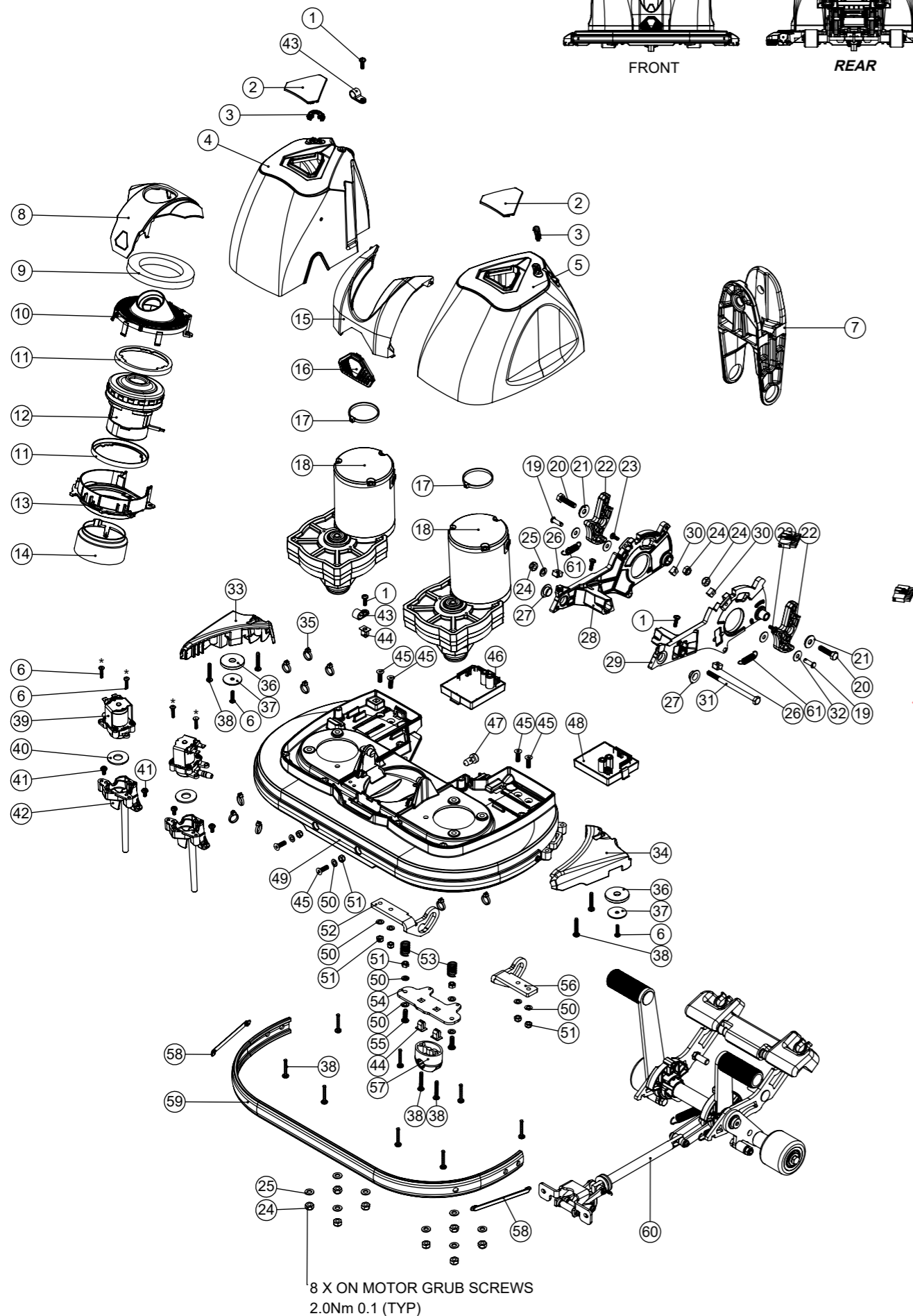
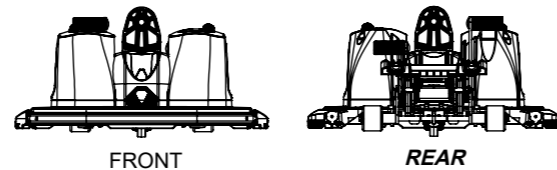
ITEM NO:	PART NO:	DESCRIPTION:	COMMENTS	Default/QTY.	BLACK/QTY.
1	910887	HANDLE CROSS TUBE		1	1
2	910726	HANDLE GRIP		2	-
3	910727	HANDLE TRIGGER		2	2
4	910733	HANDLE RELEASE LEVER		1	1
5	910734	HANDLE LOCK BUTTON		1	1
6	229483	SNAP ACTION SWITCH		2	2
7	219803	TRIGGER COMPRESSION SPRING		3	3
8	910850	FRONT HANDLE COVER GRAPHITE MOULDING		1	-
9	910851	REAR HANDLE COVER MOULDING	913337 ONLY	1	-
	912068	[TELEMATICS] TTB244 HANDLE REAR COVER MOULDING	915763 ONLY	1	-
10	910616	CSD HANDLE PCB ENCLOSURE ASSEMBLY		1	1
11	916125	IB19Z-P10FEB5V/S ANTI-VANDEL SWITCH (AIBIEKEN)		2	2
12	912145	HANDLE WIRING PROTECTOR		1	1
13	913246	ISR3Z1AD500 - YELLOW 12MM SEALED PUSH BUTTON SWITCH		1	1
14	219370	No8 X 5/8 INCH LONG PLASTITE STAINLESS STEEL SCREW	TORQUE TO 2.6Nm	8	8
15	913456	SELF-ADHESIVE DOMED PROTECTIVE STRIP		1	1
16	912615	TELEMATICS MODULE ASSEMBLY - GRAPHITE GREY	913337 ONLY	1	-
17	912151	ADHESIVE PAD - TELEMATICS	915763/918986 ONLY	1	-
18	219369	No8 X 1 INCH LONG POZI PAN STAINLESS STEEL PLASTITE SCREW	915763/918986 ONLY	4	-
19	917496	HANDLE GRIP (BLACK)		-	2
20	917724	FRONT HANDLE COVER BLACK MOULDING		-	1
21	917723	REAR HANDLE COVER MOULDING	918985 ONLY	-	1
	917436	[TELEMATICS] TTB244 HANDLE REAR COVER MOULDING - BLACK	918986 ONLY	-	1
22	912542	TELEMATICS MODULE ASSEMBLY - BLACK	918986 ONLY	-	1
23	919470	TELEMATICS MODULE ASSEMBLY - HOURS METER BLACK	919505 ONLY	-	1
24	919471	TELEMATICS MODULE ASSEMBLY - HOURS METER GRAPHITE GREY	919504 ONLY	1	-

Numatic International Spare Parts

Model No: BASE ASSEMBLY EXPLODED DRAWING

NB: FOR WIRING SEE DRAWING: DRW-34941

913432
DRAWING: DRW-35236 ISS:A14
19/01/2024



Numatic International Spare Parts

Model No: BASE ASSEMBLY EXPLODED DRAWING

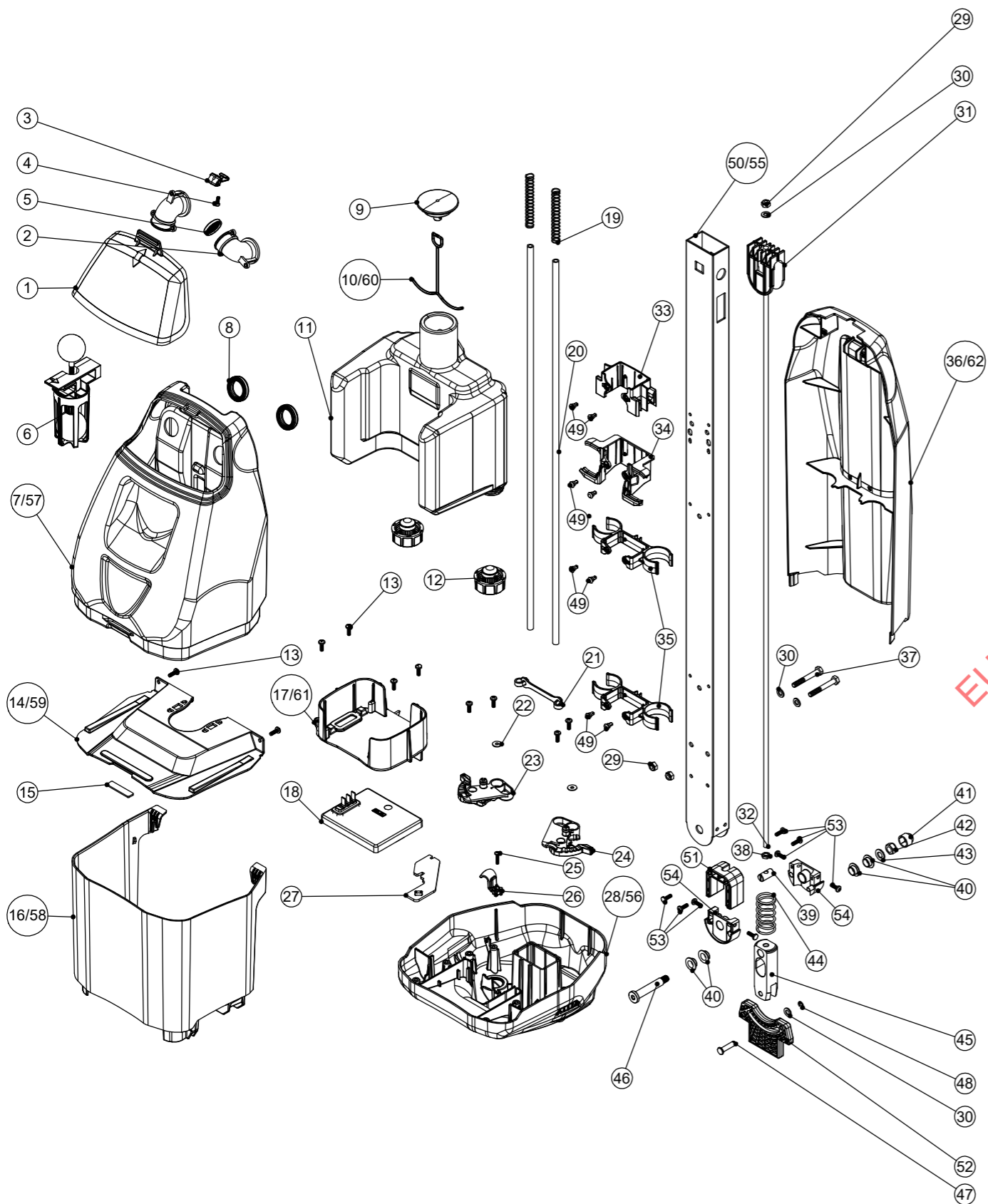
ITEM NO.	PART NO.	DESCRIPTION	COMMENTS	QTY.
1	219569	No8 X 1/2 INCH LONG POZI PAN STAINLESS STEEL PLASTITE SCREW	TORQUE TO 2.6Nm	4
2	911370	VENT CAP MOULDING		2
3	911800	TUBE CLIP MOULDING		2
4	N/A	LEFT MOTOR COVER MOULDING		1
5	N/A	RIGHT MOTOR COVER MOULDING		1
6	N/A	NO6.5/8 INCH LG.POZI-PAN.SCREW.STAINLESS STEEL.PLASTITE	TORQUE TO 1.6Nm * 2.6Nm on Solenoid	6
7	910884	YOKE		1
8	911101	VAC OUTER MOULDING		1
9	911687	FOAM PAD DISC		1
10	911328	VAC TOP SECTION MOULDING		1
11	911339	VAC GASKET		2
12	910622	CINDERSON B74-LS4015010K-021 100W VAC MOTOR		1
13	911330	VAC MIDDLE SECTION MOULDING		1
14	911329	VAC BOTTOM SECTION MOULDING		1
15	911777	CENTRE COVER MOULDING		1
16	911369	GRILL MOULDING		1
17	220138	BLACK CABLE TIE		2
18	911807	BRUSH MOTOR SUB ASSEMBLY		2
19	904922	CLEVIS PIN 3/16 x 5/8 STAINLESS STEEL		2
20	219925	M6 x 25MM LONG STAINLESS STEEL HEX SCREW	TORQUE TO 8.5Nm	2
21	219647	M6 FORM G STAINLESS STEEL WASHER		2
22	910717	NUC FLOOR TOOL LATCH (BLACK)		2
23	291041	NO.6 3/8 INCH LG.POZI-PAN.SCREW.Z/PL/PLASTITE.BLACKODISED	TORQUE TO 1.6Nm	2
24	219642	M6 STAINLESS STEEL NYLON INSERT HALF NUT		11
25	219870	M6 FORM A WASHER STAINLESS STEEL		9
26	911260	SCREW BLOCK		2
27	208330	IGUS BEARING (GFM 101206)		2
28	913289	NUC LEFT DECK LINK ARM CASTING MACHINED HOLE		1
29	913290	NUC RIGHT DECK LINK ARM CASTING MACHINED HOLE		1
30	913286	HANDLE POSITION STOP BLOCK		2
31	291021	M6 X 90MM LONG STAINLESS STEEL HEXAGONAL HEAD BOLT	TORQUE TO 8.5Nm	1
32	219644	M5 FORM G STAINLESS STEEL WASHER		4
33	911263	LEFT DECK WING MOULDING (GRAPHITE)		1
34	911262	RIGHT DECK WING MOULDING (GRAPHITE)		1
35	220844	WHITE CABLE TIE		9
36	237266	BUFFER WHEEL		2
37	219930	M5 X 25MM X 1.5MM THICK A4 STAINLESS STEEL PENNY WASHER		2
38	219369	No8 X 1 INCH LONG POZI PAN STAINLESS STEEL PLASTITE SCREW	TORQUE TO 2.6Nm	14
39	911208	FCD360B-DC24V MEISHUO SOLENOID VALVE		2
40	913408	2MM NEOPRENE CLOSED CELL DISC		2
41	219697	M4 X 8MM LONG POZI PAN STAINLESS STEEL SCREW		4
42	911523	SOLENOID CONNECTOR DOWNPIPE MOULDING		2
43	219393	P CLIP		2
44	900986	NYLON GROMMET NUT (PLASTIC INSERT TO SUIT No 8 PLASTITE SCREW)		3
45	913215	M5 X 16MM SOCKET COUNTERSUNK SCREW STAINLESS STEEL	TORQUE TO 3.5Nm	6
46	910361	36V BLDC MOTOR CONTROLLER (COUNTER CLOCKWISE) (RIGHT)	(RIGHT FROM REAR OF MACHINE)	1
47	913206	BLIND GROMMET (G10-RB62-50-00S)		1
48	910280	36V BLDC MOTOR CONTROLLER (CLOCKWISE) (LEFT)	(LEFT OF REAR OF MACHINE)	1
49	913889	NUC DECK CASTING PROCESSED PAINTED SILVER		1
50	219355	M5 FORM A STAINLESS STEEL WASHER		10
51	219633	M5 STAINLESS STEEL NYLON INSERT NUT		8
52	913347	LATCH PLATE R/H		1
53	219803	TRIGGER COMPRESSION SPRING		2
54	913248	BEARING MOUNTING PLATE		1
55	219785	M5 X 16MM LONG BUTTON HEAD STAINLESS STEEL SCREW	TORQUE TO 3.5Nm	2
56	913348	LATCH PLATE L/H		1
57	913213	RJUMP-05-12 - IGUS - DRYLIN® RJUMP SPLIT HOUSING		1
58	913007	NUC TRIM GLIDE MOULDING (GREY)		2
59	911003	TRIM EXTRUSION		1
60	913365	SQUEEGEE AND LIFTING MECHANISM ASSEMBLY		1
61	914094	EXTENSION SPRING (32MM)		2

Numatic International Spare Parts

Model No: MID SECTION 126MM YOKE ASSEMBLY EXPLODED DRAWING

NB: FOR WIRING SEE DRAWING: DRW-32894

918709, 918992
DRAWING: DRW-42735 ISS:A05
15/04/2024



Numatic International Spare Parts

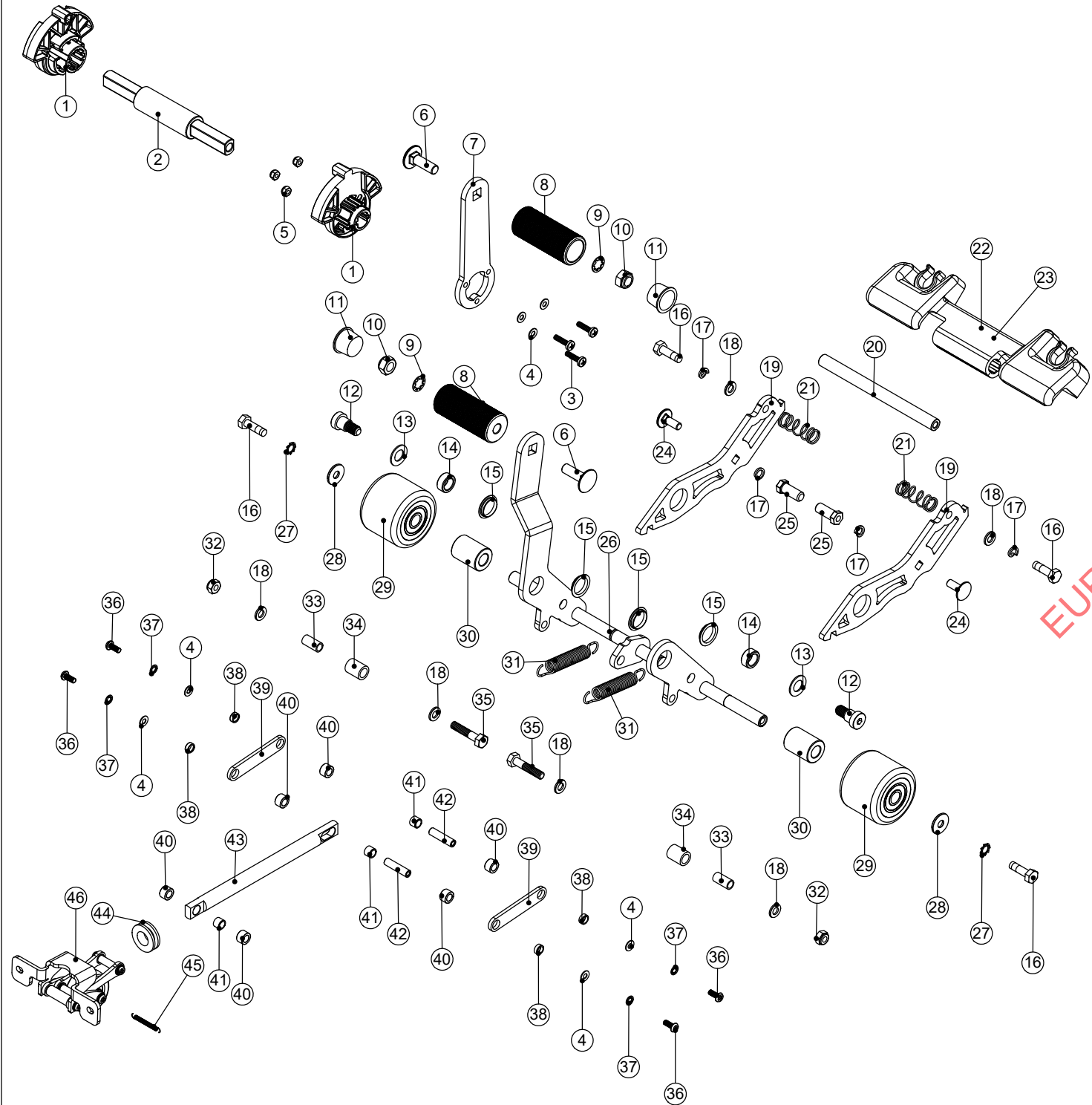
Model No: MID SECTION 126MM YOKE ASSEMBLY EXPLODED DRAWING

ITEM:	PART No:	Description	Comments	QTY.	REFLO BLACK/ QTY.
1		CSD P5 SEPARATOR MOULDING AND SEAL OVERMOULD		1	1
2		SEPARATOR PORT MOULDING		2	2
3	911502	SPRING LATCH MOULDING		1	1
4		No.6 X 3/8 A2 S/ST PZ PAN HD S/TAPPER SCREW (TYPE B FLAT END) DIN7981-F		1	1
5	911286	PORT FILTER DISC		1	1
6	911798	BALL SHUT OFF ASSEMBLY		1	1
7	911499	WASTE TANK P5 SHELLLED WITH LUGS BLOW MOULDING		1	-
8	911282	GASKET SEAL RING MOULDING		2	2
9	911280	CAP BUNG WITH VENT HOLE MOULDING		1	1
10	911281	TETHER MOULDING		1	-
11	911500	CSD P5 CLEAN TANK BLOW MOULDING		1	1
12	911815	CHECK VALVE TANK COUPLING		2	2
13	219569	No8 X 1/2 INCH LONG POZI PAN STAINLESS STEEL PLASTITE SCREW	1.6Nm ± 0.1	10	10
14	911534	WT SHELF MOULDING		1	-
15	911786	FOAM PAD 40 X 10 X 2MM		1	1
16	913483	WT SUPPORT MOULDING PRINTED NUMATIC 244NX		1	-
17	911537	BATTERY SUPPORT MOULDING		1	-
18	910930	CSD CONTROL PCB ASSEMBLY		1	1
19	219327	80MM LONG COMPRESSION SPRING		2	2
20	913691	CLEAR SILICONE TUBE 5MM ID X 8MM OD X 608MM LONG		2	2
21	913695	HOSE RETAINER		1	1
22	907391	M4 A2 S/ST FLAT WASHER DIN9021 (REF: WAWSFM400X500)		2	2
23	912597	FC VALVE LEFT		1	1
24	912596	FC VALVE RIGHT		1	1
25	219914	NO6.5/8 INCH LG.POZI-PAN.SCREW.STAINLESS STEEL.PLASTITE	1.6Nm ± 0.1	1	1
26	911272	WIRE CLAMP MOULDING		1	1
27	913062	RETAINER PLATE		1	1
28	913661	NUC HANDLE BASE GRAPHITE MOULDING PRINTED WATER FLOW		1	-
29	219642	M6 STAINLESS STEEL NYLON INSERT HALF NUT		3	3
30	219870	M6 FORM A WASHER STAINLESS STEEL		4	4
31	910730	HANDLE RELEASE SLIDER		1	1
32	910882	HANDLE LOCKING ROD		1	1
33	915815	TANK LOCK HOUSING WRAP-AROUND MOULDING		1	1
34	915816	HOSE END WRAP-AROUND MOULDING		1	1
35	913719	DUAL HOSE CLIP WRAP AROUND MOULDING		2	2
36	911811	REAR COVER ASSEMBLY		1	-
37	219896	M6 X 45MM LONG HEXAGONAL STAINLESS STEEL BOLT		2	2
38	219099	M6 HALF NUT		1	1
39	911814	M6 X 20MM CROSS DOWEL BARREL NUT Z/PL		1	1
40	208330	IGUS BEARING (GFM 101206)		4	4
41	903260	M8 BOLT AND NUT CAP		1	1
42	219639	M8 STAINLESS STEEL NYLON INSERT NUT		1	1
43	219578	M8 FORM A STAINLESS STEEL WASHER		1	1
44	208782	SPRING (C5517490)		1	1
45	919137	ROLL LATCH R3		1	1
46	918695	M8 SHOULDER BOLT, 50MM STAINLESS STEEL (ULTRA LOW PROFILE)	10.0Nm ± 1.0	1	1
47	912703	6MM X 22MM S/S CLEVIS PIN WITH E-CLIP GROOVE		1	1
48	912704	E-CLIP RSM0040 DIN 6799		1	1
49	913357	BLACK UL94 V-0 NYLON ROUND SNAP PUSH-IN RIVET SRVO-4060B		8	8
50	918492	HANDLE TUBE - 30MM HIGHER HOLES POSITION - SIDE HOLES		1	-
51	918520	SPRING HOUSING MOULDING - SCREWS		1	1
52	918523	PITCH LATCH R3		1	1
53	909098	No8 X 3/8 INCH LONG POZI PAN PLASTITE SCREW STAINLESS STEEL	1.6Nm ± 0.1	8	8
54	918519	HANDLE PIVOT MOULDING FOR YOKE 126MM - SIDE HOLES PIN		2	2
55	918991	HANDLE TUBE - 30MM HIGHER HOLES POSITION - SIDE HOLES - PAINTED BLACK	918992 REFLO BLACK ONLY	-	1
56	917495	NUC HANDLE BASE BLACK MOULDING PRINTED WATER FLOW(RECYCLED)	918992 REFLO BLACK ONLY	-	1
57	918043	WASTE TANK P5 SHELLLED WITH LUGS BLOW MOULDING (BLACK)	918992 REFLO BLACK ONLY	-	1
58	917487	WT SUPPORT MOULDING 244NX-R	918992 REFLO BLACK ONLY	-	1
59	917488	WT SHELF MOULDING (RECYCLED)	918992 REFLO BLACK ONLY	-	1
60	917489	TETHER MOULDING (RECYCLED)	918992 REFLO BLACK ONLY	-	1
61	917490	BATTERY SUPPORT MOULDING (RECYCLED)	918992 REFLO BLACK ONLY	-	1
62	918990	REAR COVER ASSEMBLY - REFLO BLACK	918992 REFLO BLACK ONLY	-	1

Numatic International Spare Parts

Model No: SQUEEGEE AND LIFTING MECHANISM YOKE 126MM
ASSEMBLY EXPLODED DRAWING

918707,918981
DRAWING: DRW-42747 ISS:A02
23/02/2024



Numatic International Spare Parts

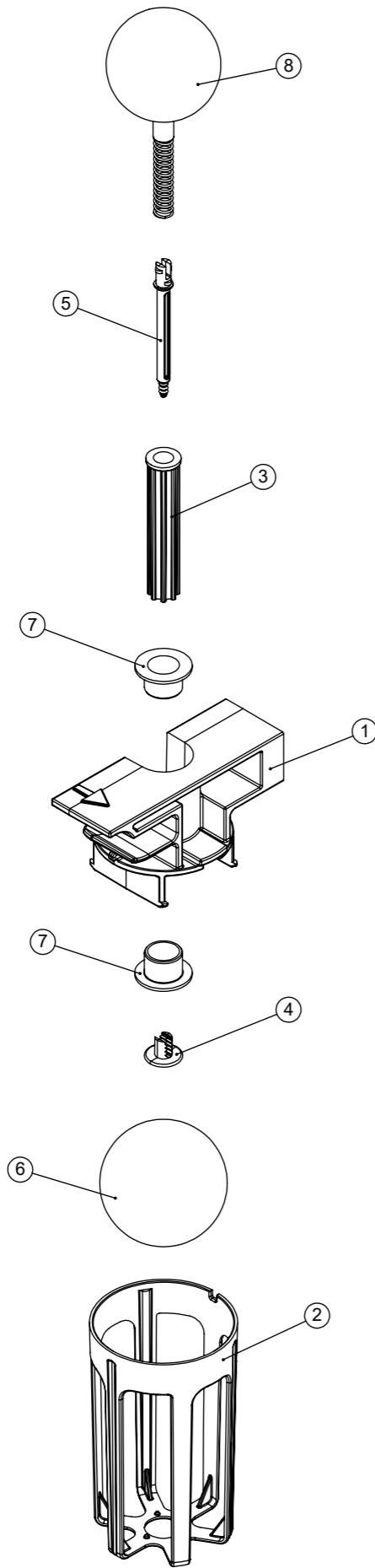
Model No: SQUEEGEE AND LIFTING MECHANISM YOKE 126MM
ASSEMBLY EXPLODED DRAWING

ITEM NO.	PART NO.	DESCRIPTION	COMMENTS	Default/ QTY.	BLACK/ QTY.
1	914421	HUB MOULDING		2	2
2	910722	AXLE		1	1
3	219862	M4 X 16MM LONG POZI PAN STAINLESS STEEL SCREW	TORQUE TO 2.6Nm	3	3
4	219688	M4 FORM A STAINLESS STEEL WASHER		7	7
5	219687	M4 STAINLESS STEEL NYLON INSERT NUT		3	3
6	902010	M8 X 25 COACH BOLT S/S	TORQUE TO 9.5Nm	2	2
7	914431	FLOOR TOOL PEDAL PLATE		1	1
8	913614	FOOT PEDAL 1" O/D		2	2
9	902520	M8 INTERNAL WASHER SHAKEPROOF STAINLESS STEEL		2	2
10	219639	M8 STAINLESS STEEL NYLON INSERT NUT		2	2
11	913708	RED TAPERED CAP (11088)		2	2
12	913378	M8 SHOULDER BOLT, 8MM STAINLESS STEEL (LOW PROFILE)	TORQUE TO 10Nm	2	2
13	913439	THRUST WASHER (GTM-1018-010)		2	2
14	913237	SPACER 10.1MM ID X 15MM OD X 6.5MM		2	2
15	913217	IGUS BEARING (GFM-1516-02)		4	4
16	291144	M6 X 20MM LG HEX HEAD SCREW STAINLESS STEEL C/W THREADLOCK	TORQUE TO 8.5Nm	4	4
17	219718	WASHER.M6.SPRING.STAINLESS STEEL		4	4
18	219870	M6 FORM A WASHER STAINLESS STEEL		6	6
19	913255	FLOOR TOOL LINK ARM		2	2
20	910883	SQUEEGEE PIVOT TUBE		1	1
21	904784	COMPRESSION SPRING 35MM		2	2
22	911539	CSD FLOOR TOOL PLASTIC PLATE (GRAPHITE)	918707 ONLY	1	-
23	917766	CSD FLOOR TOOL PLASTIC PLATE (BLACK)	918981 ONLY	-	1
24	291103	M6 X 16 COACH BOLT S/S	TORQUE TO 8.5Nm	2	2
25	910990	FLOOR TOOL LIFTING PIN		2	2
26	918706	AXLE SUPPORT WELD ASSEMBLY - YOKE 126MM		1	1
27	902353	M6 EXTERNAL SHAKEPROOF WASHER STAINLESS STEEL		2	2
28	219647	M6 FORM G STAINLESS STEEL WASHER		2	2
29	913272	SUPPORT WHEEL (50MM x 40MM)		2	2
30	913219	NYLON SPACER 10MM ID X 20MM OD X 27MM LONG		2	2
31	913557	EXTENSION SPRING - SS304 - 11mm x 65mm		2	2
32	219642	M6 STAINLESS STEEL NYLON INSERT HALF NUT		2	2
33	913245	SPACER 6MM OD X 8MM ID X 16MM LONG		2	2
34	913216	NYLON SPACER 8.2MM ID X 12MM OD X 15MM LONG		2	2
35	291022	M6 X 30MM LONG STAINLESS STEEL HEXAGONAL HEAD BOLT	TORQUE TO 8.5Nm	2	2
36	913223	M4 X 10MM TORX BUTTON SCREW - THREAD LOCKING STAINLESS STEEL	TORQUE TO 2.6Nm	4	4
37	291145	M4 SHAKEPROOF WASHER STAINLESS STEEL		4	4
38	913207	Ø8 O/D 6MM BORE 3MM WIDTH IGUS BEARING GSM-0608-03		4	4
39	913264	REAR LINKAGE		2	2
40	913208	NYLON SPACER 6.2MM ID X 10MM OD X 6MM		6	6
41	913212	Ø8 O/D 6MM BORE 6MM WIDTH IGUS BEARING GSM-0608-06		3	3
42	913280	CONNECTING ROD LINK SHAFT		2	2
43	913346	CONNECTING ROD		1	1
44	913243	SHAFT BEARING 12.5MM ID X 24MM OD X 7.5MM LONG		1	1
45	913546	EXTENSION SPRING - SS304 - 3.2mm x 31mm		1	1
46	913364	NUC244 FRONT CASTOR ASSEMBLY		1	1

Numatic International Spare Parts

Model No: BALL SHUT OFF ASSEMBLY EXPLODED DRAWING

911798
DRAWING: DRW-31389 ISS:A02
15/07/2020



Numatic International Spare Parts

Model No: BALL SHUT OFF ASSEMBLY EXPLODED DRAWING

ITEM:	PART No:	Description	QTY.
1	911792	BALL SYSTEM MOUNT MOULDING	1
2	911796	BALL CAGE	1
3	911793	BALL SUPPORT PILLAR	1
4	911795	PILLAR END CAP	1
5	911794	PILLAR SPRING LOCK PIN	1
6	911797	PING PONG BALL	1
7	208331	IGUS BEARING (GFM 101209)	2
8	911799	HOLLOW BALL AND SPRING COMBINED	1

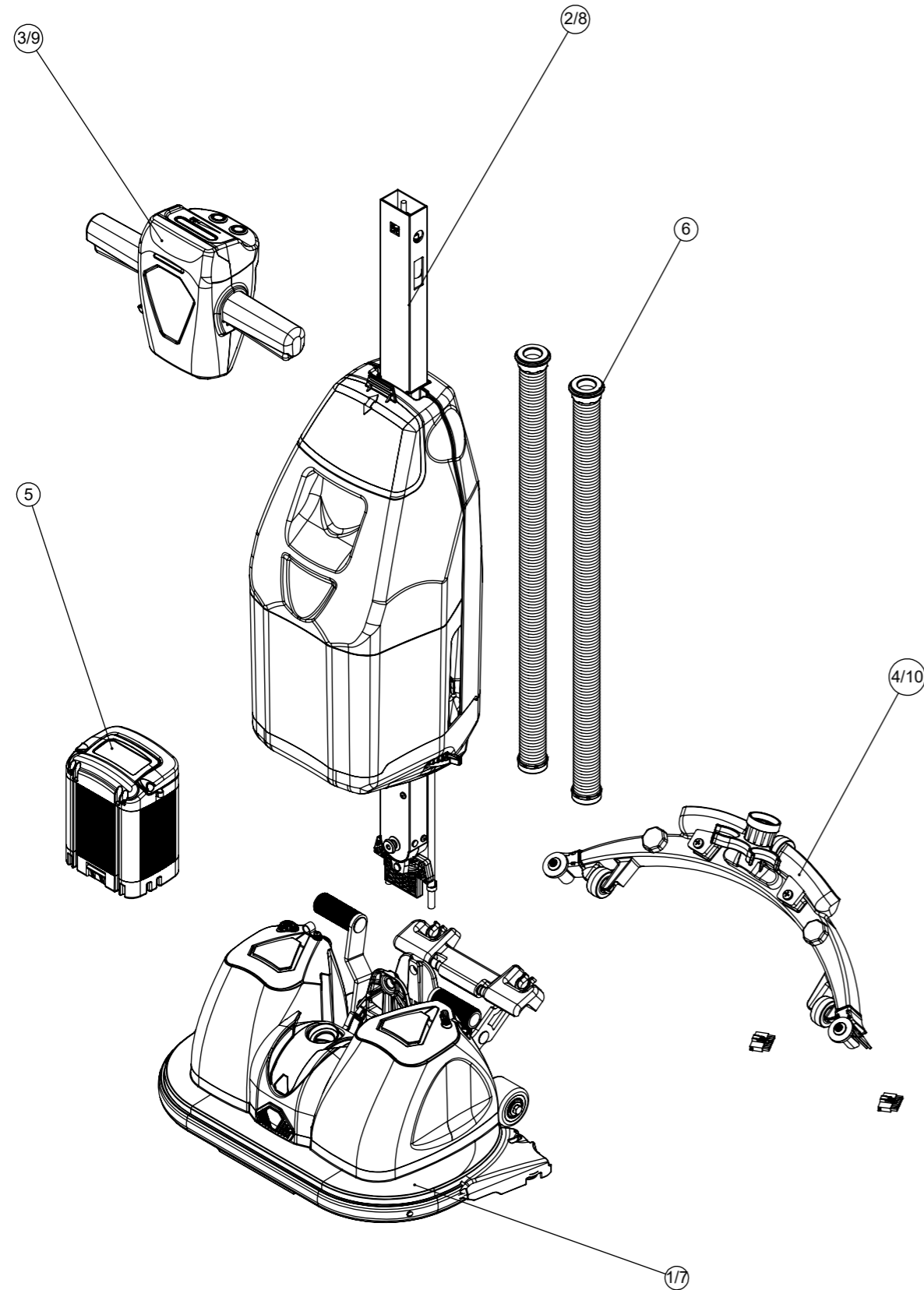
EURO-MATIC.PL

Numatic International Spare Parts

918710, 918711, 918993, 918994, 919513, 919514
 DRAWING: DRW-42733 ISS:A03 26/07/2024

Model No: NUC 244 NX-R 126MM YOKE R3 GENERAL EXPLODED DRAWING

NB: FOR WIRING SEE DRAWING: DRW-34941



Numatic International Spare Parts

Model No: NUC 244 NX-R 126MM YOKE R3 GENERAL EXPLODED DRAWING

ITEM NO.	PART NO.	DESCRIPTION	DRAWING NO.	COMMENTS	DEFAULT QTY.	REFLO BLACK QTY.
1	918708	BASE ASSEMBLY 126MM YOKE GRAPHITE	DRW-41767		1	-
2	N/A	MID SECTION ASSEMBLY 126MM YOKE	DRW-41765		1	-
3	913337	244 HANDLE ASSEMBLY	DRW-35076	918710 ONLY	1	-
	915763	244 HANDLE ASSEMBLY - TELEMATICS	DRW-31385	918711 ONLY	1	-
4	911916	SQUEEGEE ASSEMBLY - SILVER	DRW-31959		1	-
5	909996	BATTERY.37.8100	N/A		1	1
6	910931	HOSE 600MM LONG 32.8MM OD 24MM ID COMPLETE WITH END FITTINGS	N/A		2	2
7	918982	BASE ASSEMBLY 126MM YOKE REFLO BLACK	DRW-41767		-	1
8	918992	MID SECTION ASSEMBLY 126MM YOKE - REFLO BLACK	DRW-41765		-	1
9	918985	244 HANDLE ASSEMBLY - BLACK	DRW-35076	918993 ONLY	-	1
	918986	244 HANDLE ASSEMBLY - BLACK TELEMATICS	DRW-31385	918994 ONLY	-	1
	919504	244 HANDLE ASSEMBLY - HOURS METER	DRW-35076	919513 ONLY	1	-
	919505	244 HANDLE ASSEMBLY - BLACK HOURS METER	DRW-35076	919514 ONLY	-	1
10	918093	SQUEEGEE ASSEMBLY - BLACK	DRW-31959		-	1